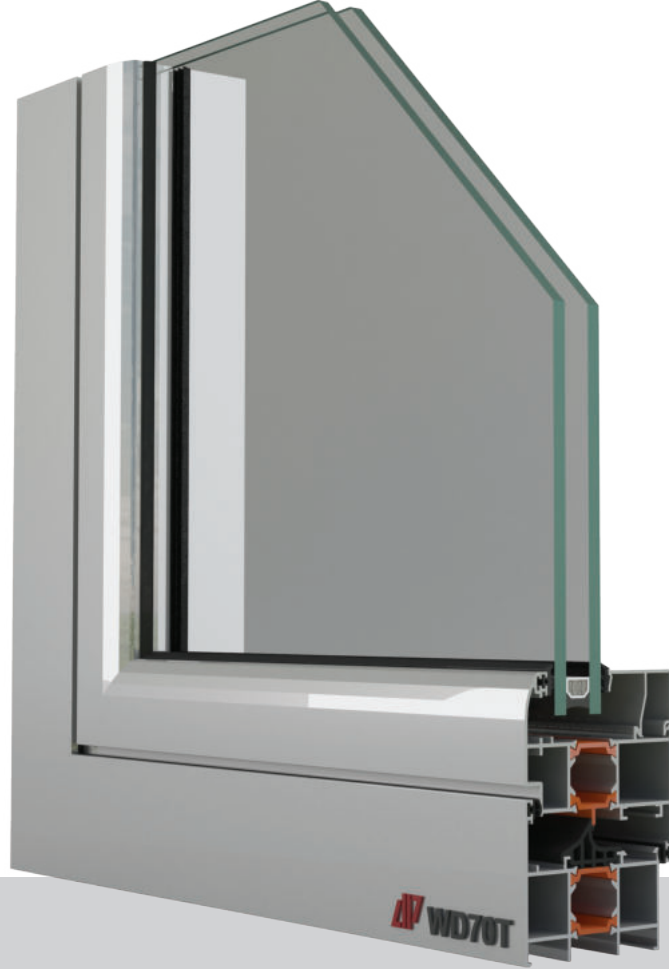
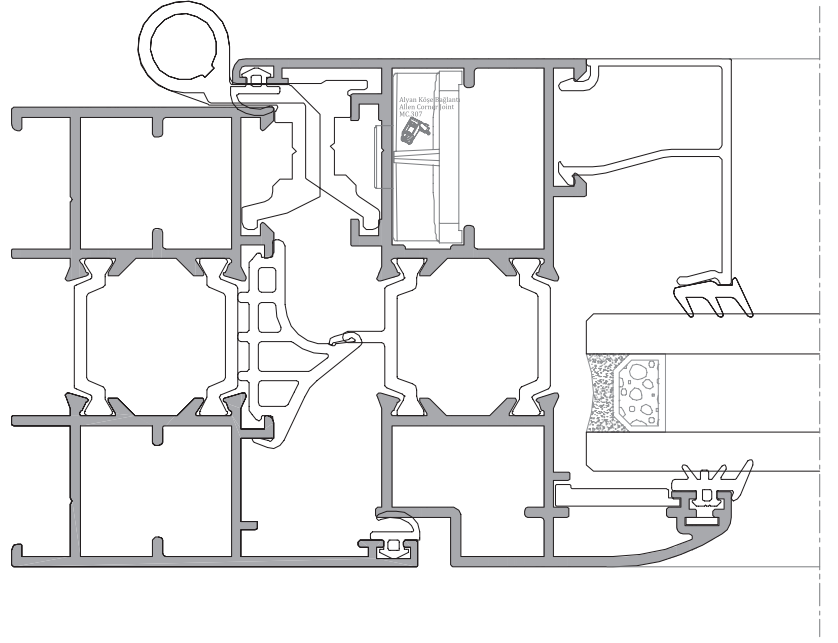
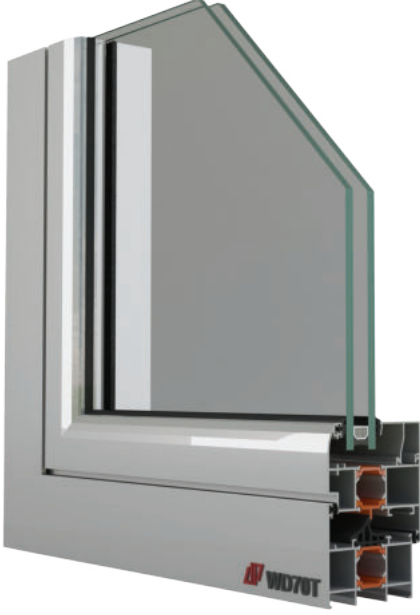




Kapı - Pencere Sistem
Door - Window System



WD70T



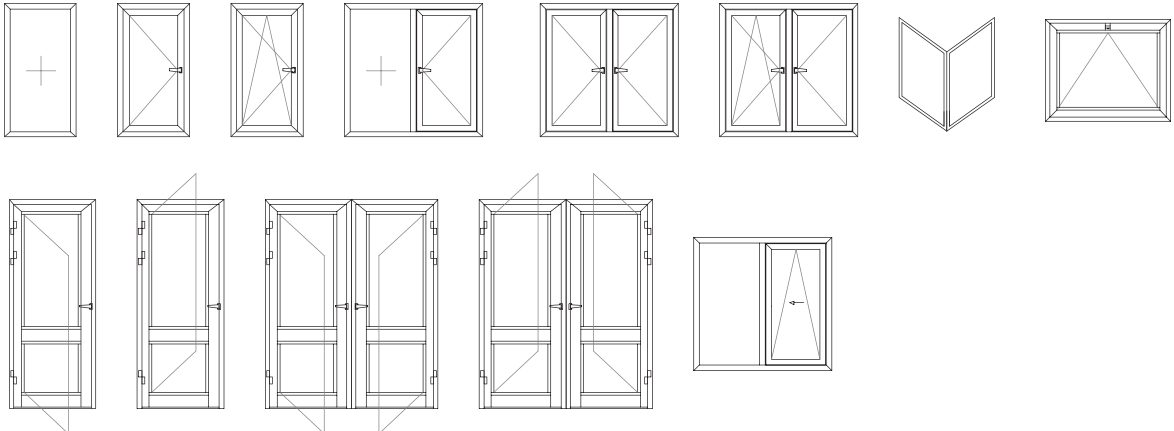
TEKNİK ÖZELLİKLER / TECHNICAL PROPERTIES

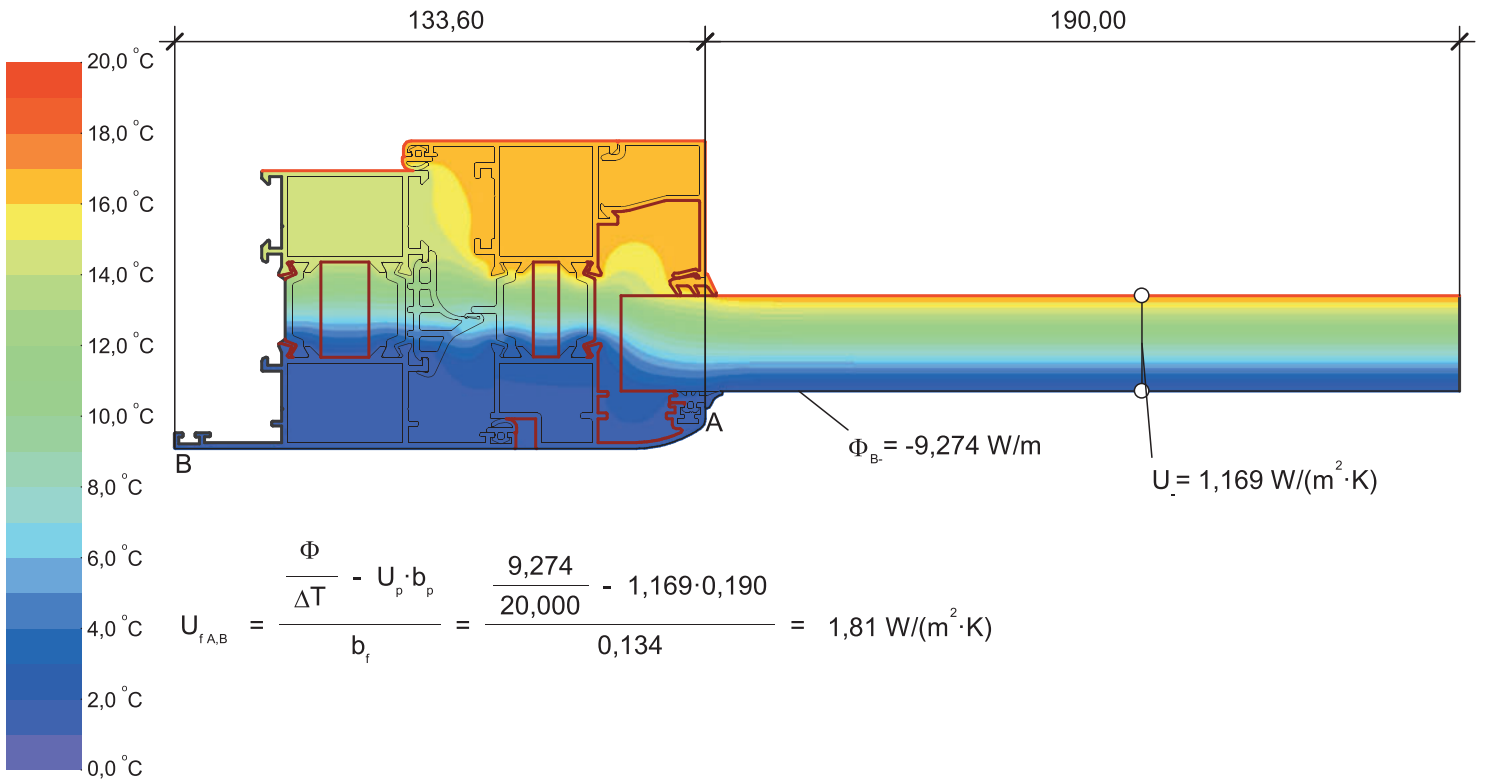
KASA DERİNLİĞİ / FRAME DEPTH	70 mm , 80.5 mm , 91.5 mm
KANAT DERİNLİĞİ / SASH DEPTH	77,5 mm
ET KALINLIĞI / WALL THICKNESS	1.5 mm , 1.8 mm , 2 mm
MİN/MAX CAM KALINLIĞI / MIN/MAX GLASS THICKNESS	16 mm - 45 mm
ISI BARIYER / THERMAL BREAK	24 mm

PERFORMANS DEĞERLERİ / PERFORMANCE VALUES

HAVA GEÇİRGENLİK / AIR PERMEABILITY	EN 12207 : Class 3
SU SIZDIRMAZLIK / WATERTIGHTNESS	EN 12208 : Class 9A
RÜZGAR YÜKÜ / WIND RESISTANCE	EN 12210 : Class C3
ISI YALITIM DEĞERİ / THERMAL INSULATION VALUE (UF)	2.04 - 1.81 W / (m ² . K)

UYGULAMA SEÇENEKLERİ / APPLICATION OPTIONS





Material	λ [W/(m·K)]	ϵ	Boundary Condition	q [W/m ²]	θ [°C]	R [(m ² ·K)/W]	ϵ
Aluminium (Si Alloys)	160,000	0,900	Epsilon 0.9				0,900
EPDM (ethylene propylene diene monomer)	0,250	0,900	Exterior, frame	0,000	0,040		
Panel	0,035	0,900	Interior, normal, horizontal	20,000	0,130		
Polyamid 6.6 with 25% glass fibre	0,300	0,900	Symmetry/Model section	0,000			
Slightly ventilated air cavity	anisotropic						
Undefined Material	0,010	0,900					
Unventilated air cavity	anisotropic						

TÜRKAK
TÜRK AKREDİTASYON KURUMU

TURKISH ACCREDITATION AGENCY

tarafından akredite edilmiş

FTI Fasad Teknoloji Merkezi / FTI Façade Testing Institute

Merkez / Head Office

Atilla İlhan Caddesi No:10 PK. 34750 Küçükbakkalköy - Ataşehir / İstanbul / TÜRKİYE
Tel: +90 216 575 88 80 Fax: +90 216 575 89 21 mail: info@fti-europe.com

Laboratuvar / Laboratory

Çakıl Mahallesi Şehit Tamer Aydın Sok. No:60 / A 34540 Çatalca / İstanbul / TÜRKİYE
Tel: +90 212 776 42 25 Fax: +90 212 776 40 58-59 mail: info@fti-europe.com



Test
TS EN ISO/IEC 17025
AB-0531-T

AB-0531-T

020.643 1 / 2016

08 / 2016



DENEY SERTİFİKASI / Test Certificate

Müşterinin Adı ve Adresi / Customer's Name & Address: Akpa Alüminyum San. ve Tic. A.Ş.

Hürriyet Mah. Dr. Cemil Bengü Cad. No:6 Kağıthane / İSTANBUL / TÜRKİYE 34403

Referans No / Reference No: 2016.632

Numunenin Adı ve Tarif / Sample's Name & Description: AKPA WD70 THERMO SERIES

WINDOW SYSTEM

Numunenin Kabul Tarihi / Receipt Date of Test Item: 14 / 07 / 2016

Uygulanan Normlar / Norms Applied: TS EN 1026, TS EN 1027, TS EN 12211

Sonuçlar / Results: Air Permeability - EN 12207 : Class 3
Watertightness - EN 12208 : Class 9A
Wind Resistance - EN 12210 : Class C3 (± 1200 Pa : for L / 300 criteria)

Test Tarihi / Date of Test
19 / 07 / 2016

Sayfa Sayısı / Number of Pages
1 / 20

Türk Akreditasyon Kurumu (TÜRKAK) deney raporlarının tanınması konusunda Avrupa Akreditasyon Birliği (EA) ve Uluslararası Laboratuvar Akreditasyon Birliği (ILAC) ile karşılıklı tanıma anlaşması imzalamıştır.

The Turkish Accreditation Agency (TURKAK) is signatory to the multilateral agreements of the European co-operation for the Accreditation (EA) and of the International Laboratory Accreditation (ILAC) for the Mutual recognition of test reports.

Uygulanan metodlar, test sonuçları ve genişletilmiş ölçüm belirsizlikleri (talep edilirse), bu sertifikanın tamamlayıcı kısmı olan takip eden sayfalarda verilmiştir. Bu sertifika yalnız test edilen numuneye ait sonuçları içerir ve ekte sunulan ilgili test raporu ile birlikte geçerlidir.

The applied methods, test results and the uncertainties (if requested) with confidence probability are given on the following pages which are part of this report. This certificate includes the test specimen which is identified above and its valid with the related test report which is presented as annex.



Mühür / Seal

Tarih / Date

01 / 08 / 2016

Test Faaliyetleri Yöneticisi

Testing Manager

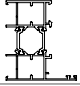
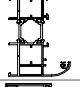
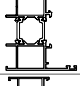
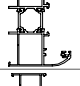
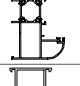
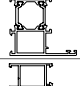
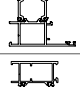
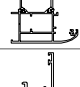
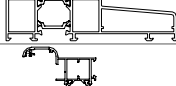
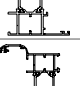
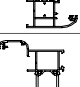
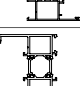
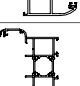
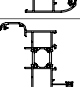
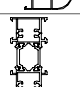

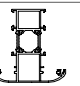
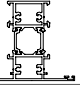
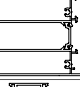
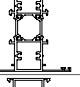
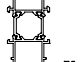

Serhat COLAK

F.15.22 REV NO: D TEMMUZ 2015

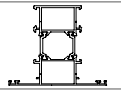
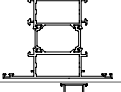
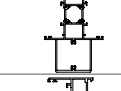
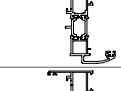
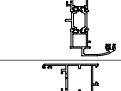
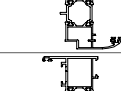
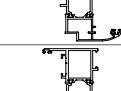
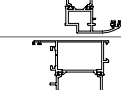
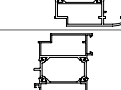
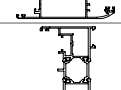
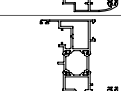
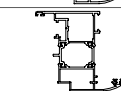
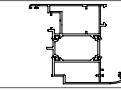
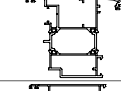
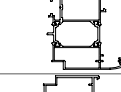
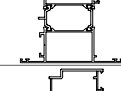
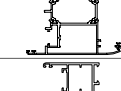
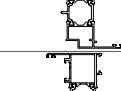
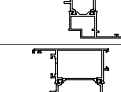
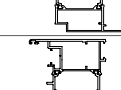
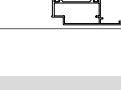

Laboratuvar Müdürü

Laboratory Manager

Öner AFSLAN

PROFİL KESİTİ PROFILE SECTION	PROFİL KODU PROFILE CODE	PROFİL ADI PROFILE NAME	Jx cm ⁴	Jy cm ⁴	AĞIRLIK (kg/m) WEIGHT
	70-7000-7001	KASA PROFİLİ FRAME PROFILE	30,45 cm ⁴	10,01 cm ⁴	1,515 kg/m
	70-7000-7002	KASA PROFİLİ FRAME PROFILE	45,11 cm ⁴	13,50 cm ⁴	1,773 kg/m
	70-7004-7005	KASA PROFİLİ FRAME PROFILE	29,32 cm ⁴	10,00 cm ⁴	1,466 kg/m
	70-7004-7006	KASA PROFİLİ FRAME PROFILE	43,08 cm ⁴	14,62 cm ⁴	1,632 kg/m
	70-7004-7007	KASA PROFİLİ FRAME PROFILE	59,56 cm ⁴	17,81 cm ⁴	1,824 kg/m
	70-8764-11886	KASA PROFİLİ FRAME PROFILE	31,88 cm ⁴	9,40 cm ⁴	1,523 kg/m
	70-6880-6879	KASA PROFİLİ FRAME PROFILE	33,08 cm ⁴	10,95 cm ⁴	1,625 kg/m
	70-7176-7177	KASA PROFİLİ FRAME PROFILE	54,46 cm ⁴	27,87 cm ⁴	2,017 kg/m
	70-8764-12789	GENİŞ KASA PROFİLİ LARGE FRAME PROFILE	111,20 cm ⁴	19,83 cm ⁴	2,180 kg/m
	70-7037-7001	Z KASA PROFİLİ Z FRAME PROFILE	71,49 cm ⁴	45,47 cm ⁴	1,786 kg/m
	70-7037-7002	Z KASA PROFİLİ Z FRAME PROFILE	68,34 cm ⁴	30,87 cm ⁴	2,044 kg/m
	70-7038-7005	Z KASA PROFİLİ Z FRAME PROFILE	46,54 cm ⁴	26,19 cm ⁴	1,737 kg/m
	70-7054-7055	Z KASA PROFİLİ Z FRAME PROFILE	62,24 cm ⁴	29,35 cm ⁴	2,152 kg/m
	70-7038-7006	Z KASA PROFİLİ Z FRAME PROFILE	63,47 cm ⁴	30,68 cm ⁴	1,902 kg/m
	70-7038-7007	Z KASA PROFİLİ Z FRAME PROFILE	127,91 cm ⁴	53,99 cm ⁴	2,095 kg/m
	70-7025-7024	ORTA KAYIT PROFİLİ MULLION PROFILE	34,74 cm ⁴	11,91 cm ⁴	1,664 kg/m
	70-7027-7026	ORTA KAYIT PROFİLİ MULLION PROFILE	42,93 cm ⁴	33,70 cm ⁴	1,989 kg/m
	70-7047-7046	ORTA KAYIT PROFİLİ MULLION PROFILE	58,54 cm ⁴	25,37 cm ⁴	2,129 kg/m
	70-7051-7050	ORTA KAYIT PROFİLİ MULLION PROFILE	44,96 cm ⁴	17,98 cm ⁴	2,083 kg/m
	70-7029-7028	ORTA KAYIT PROFİLİ MULLION PROFILE	56,77 cm ⁴	108,18 cm ⁴	2,542 kg/m
	70-7051-11851	ORTA KAYIT PROFİLİ MULLION PROFILE	54,14 cm ⁴	17,29 cm ⁴	1,907 kg/m
	70-8764-8763	ORTA KAYIT PROFİLİ MULLION PROFILE	35,74 cm ⁴	15,72 cm ⁴	1,680 kg/m




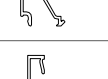
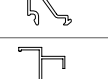
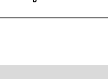
** Her profil için minimum sipariş 300 kg'dır.
** Minimum order quantity is 300 kg per profile.

PROFİL KESİTİ PROFILE SECTION	PROFİL KODU PROFILE CODE	PROFİL ADI PROFILE NAME	Jx cm ⁴	Jy cm ⁴	AĞIRLIK (kg/m) WEIGHT
	70-7045-7044	ORTA KAYIT PROFİLİ MULLION PROFILE	35,00 cm ⁴	19,88 cm ⁴	1,633 kg/m
	70-7057-7056	ORTA KAYIT PROFİLİ MULLION PROFILE	44,14 cm ⁴	33,35 cm ⁴	2,011 kg/m
	70-8764-7175	TAKVİYELİ ORTA KAYIT PROFİLİ REINFORCED MULLION PROFILE	114,88 cm ⁴	26,56 cm ⁴	2,466 kg/m
	70-7008-7009	KANAT PROFİLİ SASH PROFILE	36,51 cm ⁴	8,85 cm ⁴	1,451 kg/m
	70-7016-7009	KANAT PROFİLİ SASH PROFILE	36,00 cm ⁴	8,84 cm ⁴	1,432 kg/m
	70-7010-7011	KANAT PROFİLİ SASH PROFILE	42,25 cm ⁴	15,91 cm ⁴	1,650 kg/m
	70-7017-7011	KANAT PROFİLİ SASH PROFILE	41,55 cm ⁴	15,89 cm ⁴	1,622 kg/m
	70-7048-7049	KANAT PROFİLİ SASH PROFILE	50,68 cm ⁴	17,65 cm ⁴	1,928 kg/m
	70-7012-7013	KANAT PROFİLİ SASH PROFILE	55,51 cm ⁴	41,06 cm ⁴	1,970 kg/m
	70-7015-7014	DIŞA AÇILIR KANAT PROFİLİ OUTWARD OPENING SASH PROFILE	50,37 cm ⁴	41,06 cm ⁴	1,970 kg/m
	70-7018-7011	PVC KANALLI KANAT PROFİLİ PVC GROOVED SASH PROFILE	42,72 cm ⁴	15,46 cm ⁴	1,678 kg/m
	70-7058-7059	PVC KANALLI KANAT PROFİLİ PVC GROOVED SASH PROFILE	48,37 cm ⁴	16,54 cm ⁴	1,860 kg/m
	70-7041-7042	PVC KANALLI KANAT PROFİLİ PVC GROOVED SASH PROFILE	40,36 cm ⁴	24,82 cm ⁴	1,834 kg/m
	70-11828-7013	PVC KANALLI KANAT PROFİLİ PVC GROOVED SASH PROFILE	53,41 cm ⁴	40,77 cm ⁴	2,008 kg/m
	70-11829-7015	PVC KANALLI KANAT PROFİLİ PVC GROOVED SASH PROFILE	51,66 cm ⁴	40,77 cm ⁴	2,007 kg/m
	70-7019-7013	PVC KANALLI KANAT PROFİLİ PVC GROOVED SASH PROFILE	52,77 cm ⁴	40,78 cm ⁴	2,015 kg/m
	70-7015-11826	DIŞA AÇILIR PVC KANALLI KANAT PROFİLİ OUTWARD OPENING PVC GROOVED SASH PROFILE	49,05 cm ⁴	36,17 cm ⁴	1,860 kg/m
	70-7015-7020	DIŞA AÇILIR PVC KANALLI KANAT PROFİLİ OUTWARD OPENING PVC GROOVED SASH PROFILE	42,93 cm ⁴	33,70 cm ⁴	2,015 kg/m
	70-7010-11824	KANAT PROFİLİ SASH PROFILE	40,50 cm ⁴	13,24 cm ⁴	1,570 kg/m
	70-7017-11824	KANAT PROFİLİ SASH PROFILE	41,55 cm ⁴	15,89 cm ⁴	1,537 kg/m
	70-7012-11825	KANAT PROFİLİ SASH PROFILE	53,41 cm ⁴	40,77 cm ⁴	1,880 kg/m
	70-11828-11825	KANAT PROFİLİ SASH PROFILE	51,62 cm ⁴	36,06 cm ⁴	1,930 kg/m





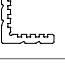







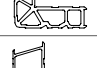





** Her profil için minimum sipariş 300 kg'dır.
** Minimum order quantity is 300 kg per profile.

PROFİL KESİTİ PROFILE SECTION	PROFİL KODU PROFILE CODE	PROFİL ADI PROFILE NAME	Jx cm ⁴	Jy cm ⁴	AĞIRLIK (kg/m) WEIGHT
	70-7030-7028	ETEK PROFİLİ BOTTOM PROFILE	-	-	2,647 kg/m
	70-12096-7030	ETEK PROFİLİ BOTTOM PROFILE	-	-	2,697 kg/m
	70-11927-7031	EURO KANALLI ADAPTÖR PROFİLİ EURO GROOVED ADAPTER PROFILE	-	-	1,349 kg/m
	70-11927-11827	EURO KANALLI ADAPTÖR PROFİLİ EURO GROOVED ADAPTER PROFILE	-	-	1,290 kg/m
	70-11926-11827	PVC KANALLI ADAPTÖR PROFİLİ PVC GROOVED ADAPTER PROFILE	-	-	1,280 kg/m
	70-11926-7031	PVC KANALLI ADAPTÖR PROFİLİ PVC GROOVED ADAPTER PROFILE	-	-	1,340 kg/m
	70-10629-10628	DIŞA AÇILIR ADAPTÖR PROFİLİ OUTWARD OPENING ADAPTER PROFILE	-	-	1,304 kg/m
	7180	ADAPTÖR PROFİLİ ADAPTER PROFILE	-	-	0,244 kg/m
	70-1734-1735	KÖŞE DÖNÜŞ PROFİLİ CORNER PROFILE	32,51 cm ⁴	26,21 cm ⁴	1,481 kg/m
	55-1734-1735	KÖŞE DÖNÜŞ PROFİLİ CORNER PROFILE	51,66 cm ⁴	40,77 cm ⁴	1,465 kg/m
	70-7033-7035	KÖŞE DÖNÜŞ PROFİLİ CORNER PROFILE	62,35 cm ⁴	62,35 cm ⁴	1,894 kg/m
	70-7033-7034	KÖŞE DÖNÜŞ PROFİLİ CORNER PROFILE	26,72 cm ⁴	26,72 cm ⁴	1,531 kg/m
	8241	TİJ PROFİLİ STEM BAR PROFILE	-	-	0,099 kg/m
	7021	DAMLALIK PROFİLİ SILL PROFILE	-	-	0,140 kg/m
	1011	DAMLALIK PROFİLİ SILL PROFILE	-	-	0,402 kg/m
	12375	DAMLALIK PROFİLİ SILL PROFILE	-	-	0,326 kg/m
	4242	DAMLALIK PROFİLİ SILL PROFILE	-	-	0,094 kg/m
	10923	KANAT ALTI KAPAMA PROFİLİ SUB-SASH COVER PROFILE	-	-	0,295 kg/m
	70-7178-7179	KAPI ALTI EŞİK PROFİLİ DOOR THRESHOLD PROFILE	-	-	1,019 kg/m
	7060	ORTA KAYIT BAĞLANTI PROFİLİ MULLION CONNECTION PROFILE	-	-	1,007 kg/m
	7023	CAM ÇİTASI (24 mm) GLAZING BEAD (24 mm)	-	-	0,294 kg/m
	7036	CAM ÇİTASI (30 mm) GLAZING BEAD (30 mm)	-	-	0,319 kg/m

** Her profil için minimum sipariş 300 kg'dır.
** Minimum order quantity is 300 kg per profile.


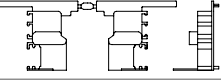
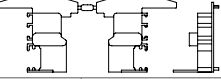
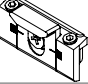

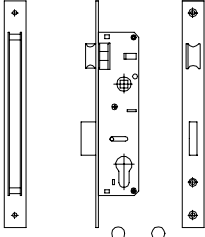
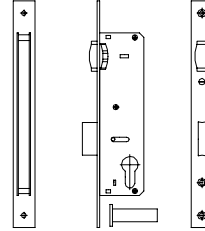
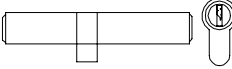
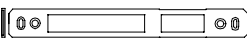
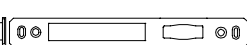
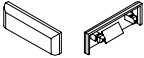
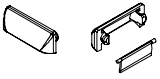

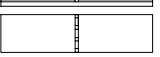

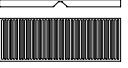

PROFİL KESİTİ PROFILE SECTION	PROFİL KODU PROFILE CODE	PROFİL ADI PROFILE NAME	Jx cm ⁴	Jy cm ⁴	AĞIRLIK (kg/m) WEIGHT
	676	CAM ÇİTASI (34 mm) GLAZING BEAD (34 mm)	-	-	0,331 kg/m
	7043	CAM ÇİTASI (38 mm) GLAZING BEAD (38 mm)	-	-	0,336 kg/m
	3537	CAM ÇİTASI (41,5 mm) GLAZING BEAD (41,5 mm)	-	-	0,367 kg/m
	1749	CAM ÇİTASI (38,5 mm) GLAZING BEAD (38,5 mm)	-	-	0,356 kg/m
	1747	CAM ÇİTASI (34,5 mm) GLAZING BEAD (34,5 mm)	-	-	0,340 kg/m
	3536	CAM ÇİTASI (31,5 mm) GLAZING BEAD (31,5 mm)	-	-	0,329 kg/m
	3636	CAM ÇİTASI (29,5 mm) GLAZING BEAD (29,5 mm)	-	-	0,321 kg/m
	1966	CAM ÇİTASI (27,5 mm) GLAZING BEAD (27,5 mm)	-	-	0,314 kg/m
	2236	CAM ÇİTASI (26,5 mm) GLAZING BEAD (26,5 mm)	-	-	0,310 kg/m
	1949	CAM ÇİTASI (25,5 mm) GLAZING BEAD (25,5 mm)	-	-	0,306 kg/m
	1745	CAM ÇİTASI (21,5 mm) GLAZING BEAD (21,5 mm)	-	-	0,292 kg/m
	3539	CAM ÇİTASI (17 mm) GLAZING BEAD (17 mm)	-	-	0,277 kg/m
	1699	CAM ÇİTASI (19,5 mm) GLAZING BEAD (19,5 mm)	-	-	0,285 kg/m
	1698	CAM ÇİTASI (13,5 mm) GLAZING BEAD (13,5 mm)	-	-	0,270 kg/m
	1948	CAM ÇİTASI (7,5 mm) GLAZING BEAD (7,5 mm)	-	-	0,235 kg/m
	1121	T BAĞLANTI PROFİLİ T CONNECTION PROFILE	-	-	0,233 kg/m
	1123	T BAĞLANTI PROFİLİ T CONNECTION PROFILE	-	-	0,355 kg/m
	1035	T BAĞLANTI PROFİLİ T CONNECTION PROFILE	-	-	0,240 kg/m
	1139	T BAĞLANTI PROFİLİ T CONNECTION PROFILE	-	-	0,236 kg/m
	6414	T BAĞLANTI PROFİLİ T CONNECTION PROFILE	-	-	0,175 kg/m
	3917	T BAĞLANTI PROFİLİ T CONNECTION PROFILE	-	-	0,162 kg/m
	3832	T BAĞLANTI PROFİLİ T CONNECTION PROFILE	-	-	0,175 kg/m

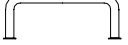
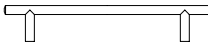
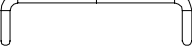
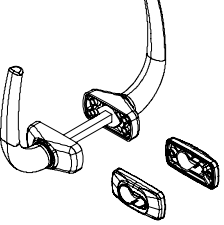
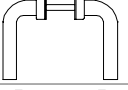

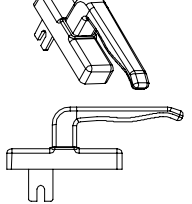
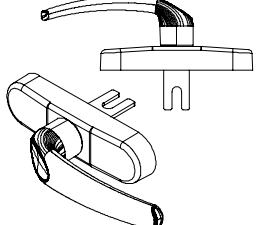
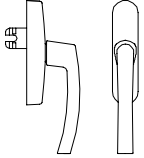
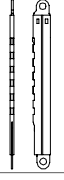
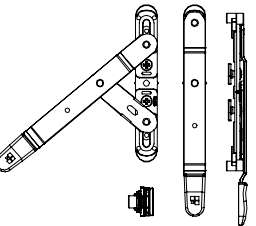
** Her profil için minimum sipariş 300 kg'dır.
** Minimum order quantity is 300 kg per profile.

PROFİL KESİTİ PROFILE SECTION	PROFİL KODU PROFILE CODE	PROFİL ADI PROFILE NAME	Jx cm ⁴	Jy cm ⁴	AĞIRLIK (kg/m) WEIGHT
	3818	T BAĞLANTI PROFİLİ T CONNECTION PROFILE	-	-	0,210 kg/m
	7039	T BAĞLANTI PROFİLİ T CONNECTION PROFILE	-	-	0,260 kg/m
	5788	T BAĞLANTI PROFİLİ T CONNECTION PROFILE	-	-	0,205 kg/m
	10012	PERVAZ PROFİLİ SILL PROFILE	-	-	0,805 kg/m
	553	PERVAZ PROFİLİ SILL PROFILE	-	-	0,656 kg/m
	413	KÖŞE TAKOZ PROFİLİ CORNER WEDGE PROFILE	-	-	3,667 kg/m
	5022	KÖŞE TAKOZ PROFİLİ CORNER WEDGE PROFILE	-	-	2,245 kg/m
	1661	KÖŞE TAKOZ PROFİLİ CORNER WEDGE PROFILE	-	-	3,629 kg/m
	1662	KÖŞE TAKOZ PROFİLİ CORNER WEDGE PROFILE	-	-	2,576 kg/m
	1663	KÖŞE TAKOZ PROFİLİ CORNER WEDGE PROFILE	-	-	3,526 kg/m
	1664	KÖŞE TAKOZ PROFİLİ CORNER WEDGE PROFILE	-	-	3,991 kg/m
	1695	KÖŞE TAKOZ PROFİLİ CORNER WEDGE PROFILE	-	-	2,540 kg/m
	3088	KÖŞE TAKOZ PROFİLİ CORNER WEDGE PROFILE	-	-	3,498 kg/m
	3546	KÖŞE TAKOZ PROFİLİ CORNER WEDGE PROFILE	-	-	3,357 kg/m
	3698	KÖŞE TAKOZ PROFİLİ CORNER WEDGE PROFILE	-	-	4,604 kg/m
	7022	KÖŞE TAKOZ PROFİLİ CORNER WEDGE PROFILE	-	-	3,952 kg/m
	7040	KÖŞE TAKOZ PROFİLİ CORNER WEDGE PROFILE	-	-	3,998 kg/m
	3547	KÖŞE TAKOZ PROFİLİ CORNER WEDGE PROFILE	-	-	4,884 kg/m
	1398	KÖŞE TAKOZ PROFİLİ CORNER WEDGE PROFILE	-	-	5,089 kg/m

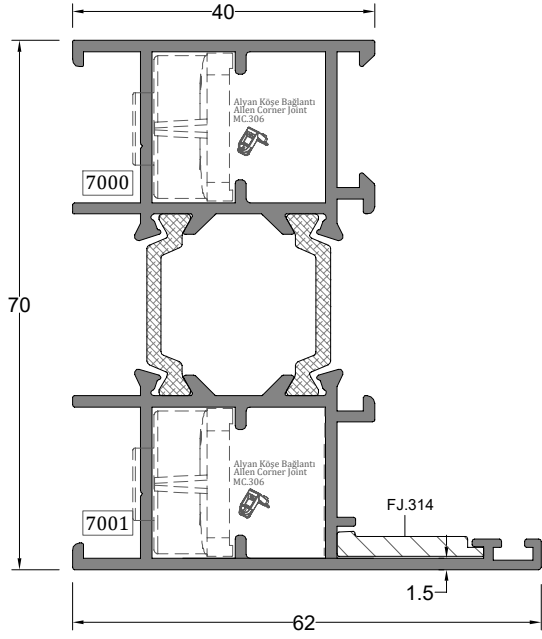
** Her profil için minimum sipariş 300 kg'dır.
** Minimum order quantity is 300 kg per profile.

AKSESUAR ACCESSORY	STOK KODU REFERENCE CODE	AKSESUAR ADI DESCRIPTION	AKSESUAR KODU PRODUCT CODE	PAKET PACK
	03 010438	KASA KANAT FİTİLİ FRAME SASH GASKET	WD70T-KBF.70	303 mt / paket 10 kg
	03 070124	İÇ CAM FİTİLİ INNER GLAZING GASKET	WD70T-DCF.75	150 mt / paket 10 kg
	03 070122	DIŞ CAM FİTİLİ OUTER GLAZING GASKET	WD70T-DCF.73	200 mt / paket 10 kg
	03 011230	İÇ CAM FİTİLİ INNER GLAZING GASKET	WD70T-İCF.30	330 mt / paket 10 kg
	03 011231	İÇ CAM FİTİLİ INNER GLAZING GASKET	WD70T-İCF.40	205 mt / paket 10 kg
	03 010732	İÇ CAM FİTİLİ INNER GLAZING GASKET	WD70T-İCF.50	175 mt / paket 10 kg
	03 011236	İÇ CAM FİTİLİ INNER GLAZING GASKET	WD70T-İCF.23	210 mt / paket 10 kg
	03 011237	İÇ CAM FİTİLİ INNER GLAZING GASKET	WD70T-İCF.45	225 mt / paket 10 kg
	03 011036	ORTA BİNI FİTİLİ MIDDLE GASKET	WD70T-OBF.70	40 mt / paket 10 kg
	03 050712	FİRÇA FİTİLİ (6.8 - 10 mm) WEATHER STRIP (6.8 - 10 mm)	WD70T-FÇ.712	200 mt / 1 pk
	03 070304	VUKANİZE KÖŞE BAĞLANTI VULCANIZED CORNER CONNECTION	WD70T-KVF.70	20 ad / 1 pk
	01 130306	ALYAN KÖŞE BAĞLANTI ALLEN CORNER JOINT	WD70T-MC.306	250 ad / 1 pk
	01 130307	ALYAN KÖŞE BAĞLANTI ALLEN CORNER JOINT	WD70T-MC.307	250 ad / 1 pk
	01 130338	ALYAN KÖŞE BAĞLANTI ALLEN CORNER JOINT	WD70T-MC.338	250 ad / 1 pk
	01 130339	ALYAN KÖŞE BAĞLANTI ALLEN CORNER JOINT	WD70T-MC.339	250 ad / 1 pk
	01 130336	ALYAN KÖŞE BAĞLANTI ALLEN CORNER JOINT	WD70T-MC.336	250 ad / 1 pk
	01 130337	ALYAN KÖŞE BAĞLANTI ALLEN CORNER JOINT	WD70T-MC.337	250 ad / 1 pk
	01 130318	KÖŞE GÖNYE CORNER BRACKET	WD70T-KG.318	1000 ad / 1 pk
	01 130314	KÖŞE ÇAVUŞU CORNER CONNECTION	WD70T-FJ.314	250 ad / 1 pk
	01 120100	İSPANYOLET PİMİ (EURO KANAL) ESPAÑOLETTE PIN (EURO GROOVED)	WD70T-TP.100	100 ad / 1 pk

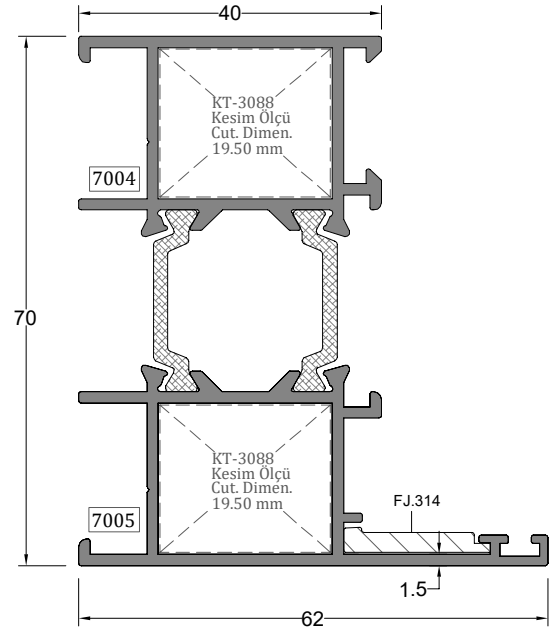
AKSESUAR ACCESSORY	STOK KODU REFERENCE CODE	AKSESUAR ADI DESCRIPTION	AKSESUAR KODU PRODUCT CODE	PAKET PACK
	01 110400	DAMLALIK KAPAK SILL COVER	WD70T-DK.50	1 tk / 1 pk
	01 110252	SİSTEM WD70T ADAPTÖR KAPAĞI (DÜZ) SYSTEM WD70T ADAPTER COVER (STRAIGHT)	WD70T-ADK.252	100 tk / 1 pk
	01 110250	SİSTEM WD70T ADAPTÖR KAPAĞI (OVAL) SYSTEM WD70T ADAPTER COVER (CURVED)	WD70T-ADK.250	100 tk / 1 pk
	01 120201	AYARLI İSPANYOLET KARŞILIĞI (SETSKURLU) ADJUSTABLE ESPAGNOLETTE STRIKER (PINNED)	WD70T-TPK.201	100 ad / 1 pk
	01 120217	PVC KANALLI İSPANYOLET KARŞILIĞI PVC GROOVED ESPAGNOLETTE STRIKER(SCREWED)	WD70T-PK.217	100 ad / 1 pk
	05 010401	153/35 mm DİLLİ KİLİT BOLT LOCK	WD70T-DK.401	30 ad / 1 pk
	05 010405	155/35 mm MAKARALI KİLİT ROLLED LOCK	WD70T-MK.405	30 ad / 1 pk
	05 011106	96 mm BAREL 96 mm CYLINDER	WD70T-BR.106	24 ad / 1 pk
	01 060210	OVAL SERİ KİLİT KARŞILIĞI (DİLLİ) OVAL SERIES LOCK STRIKER (BOLT)	WD70T-KK.210	50 ad / 1 pk
	01 060211	OVAL SERİ KİLİT KARŞILIĞI (MAKARALI) OVAL SERIES LOCK STRIKER (ROLLED)	WD70T-KK.211	50 ad / 1 pk
	04 010115	SABİT PERDELİ YAĞMUR TAHLİYE KAPAK WATER DRAIN COVER (FIXED)	WD70T-TK.115	1000 ad / 1 pk
	04 010112	HAREKETLİ PERDELİ YAĞMUR TAHLİYE KAPAK WATER DRAIN COVER (MOVEABLE)	WD70T-TK.112	1000 ad / 1 pk
	01 150200	ALÜMİNYUM KAPI ALTI FIRÇASI ALUMINIUM DOORBASE BRUSH	WD70T-KF.200	100 ad / 1 pk
	06 140203	CAM TAKOĞU (3X20X80 mm) GLAZING WEDGE (3X20X80 mm)	WD70T-CT.203	1000 ad / 1 pk
	06 140208	CAM TAKOĞU (5X20X80 mm) GLAZING WEDGE (5X20X80 mm)	WD70T-CT.208	1000 ad / 1 pk
	06 140210	CAM TAKOĞU (5X28X80 mm) GLAZING WEDGE (5X28X80 mm)	WD70T-CT.210	1000 ad / 1 pk
	11 010200	Ø3.9X13 mm YSB M.U.V Ø3.9X13 mm SELF DRILLING CURVED TOP SCREW	WD70T-SC.200	1000 ad / 1 pk

AKSESUAR ACCESSORY	STOK KODU REFERENCE CODE	AKSESUAR ADI DESCRIPTION	AKSESUAR KODU PRODUCT CODE	PAKET PACK
	01 051101	U KOL (ELOKSALLI) U SHAPED HANDLE (ANODIZED)	WD70T-UK.101	10 ad / 1 pk
	01 031309	H KOL (ELOKSALLI) H SHAPED HANDLE (ANODIZED)	WD70T-HK.309	10 ad / 1 pk
	01 030401	KIVRIK KOL (ELOKSALLI) CONVOLUTED HANDLE (ANODIZED)	WD70T-VK.401	10 ad / 1 pk
	01 040902	FORZA EFOR YAYLI KAPI KOLU (BEYAZ) FORZA EFOR DOOR HANDLE (WHITE)	WD70T-FK.902	10 ad / 1 pk
	01 040903	FORZA EFOR YAYLI KAPI KOLU (RENKLİ) FORZA EFOR DOOR HANDLE (COLORED)	WD70T-FK.903	10 ad / 1 pk
	01 040904	FORZA EFOR YAYLI KAPI KOLU (NATUREL) FORZA EFOR DOOR HANDLE (NATURAL)	WD70T-FK.904	10 ad / 1 pk
	01 040104	YAYLI SOSİS KOL SPRING DOOR HANDLE	WD70T-YK.104	50 ad / 1 pk
	01 040109	YAYLI SOSİS KOL BAREL ROZETİ SPRING DOOR HANDLE CYLINDER BADGE	WD70T-BR.109	2 ad / 1 pk
	01 020810	FORZA YANKI EKSENEL PENCERE KOLU (NATUREL) FORZA YANKI AXIAL WINDOW HANDLE (NATURAL)	WD70T-EK.810	50 ad / 1 pk
	01 020811	FORZA YANKI EKSENEL PENCERE KOLU (BEYAZ) FORZA YANKI AXIAL WINDOW HANDLE (WHITE)	WD70T-EK.811	50 ad / 1 pk
	01 020812	FORZA YANKI EKSENEL PENCERE KOLU (RENKLİ) FORZA YANKI AXIAL WINDOW HANDLE (COLORED)	WD70T-EK.812	50 ad / 1 pk
	01 020702	FORZA EFOR EKSENEL PENCERE KOLU (BEYAZ) FORZA EFOR AXIAL WINDOW HANDLE (WHITE)	WD70T-FPK.702	20 ad / 1 pk
	01 020703	FORZA EFOR EKSENEL PENCERE KOLU (RENKLİ) FORZA EFOR AXIAL WINDOW HANDLE (COLORED)	WD70T-FPK.703	20 ad / 1 pk
	01 020803	FORZA EFOR EKSENEL PENCERE KOLU (NATUREL) FORZA EFOR AXIAL WINDOW HANDLE (NATURAL)	WD70T-FPK.803	20 ad / 1 pk
	01 020601	EKSENEL KOL ROTO (ELOKSALLI) ROTO AXIAL HANDLE (ANODIZED)	WD70T-RK.601	10 ad / 1 pk
	01 020604	EKSENEL KOL ROTO (ELOKSALLI KİLİTLİ) ROTO AXIAL HANDLE (ANODIZED LOCKED)	WD70T-RK.604	10 ad / 1 pk
	01 081000	AYARLI KADEMELİ MAKAS 5 KADEME ADJUSTABLE TRUSS	WD70T-KM.1000	10 ad / 1 pk
	01 081001	AYARLI KADEMELİ MAKAS 3 KADEME ADJUSTABLE TRUSS	WD70T-KM.1001	10 ad / 1 pk
	01 090201	LEVYE KOL (EURO KANAL İÇİN) SHOOTBOLT KIT LOCKING (EURO GROOVED)	WD70T-LK.201	1 ad / 1 pk

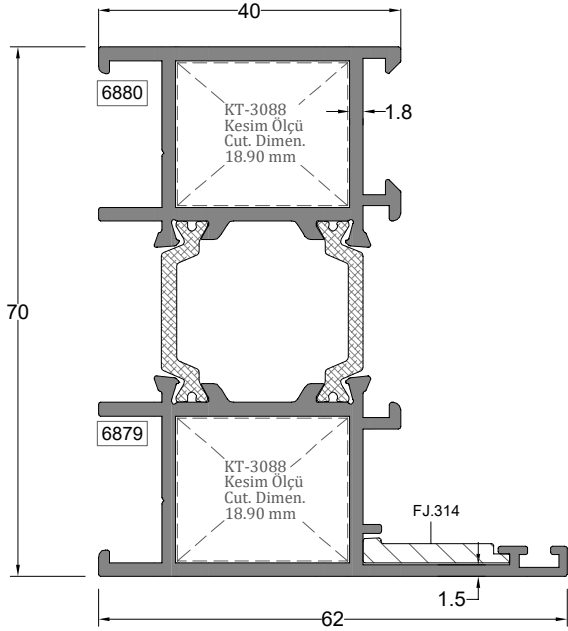
AKSESUAR ACCESSORY	STOK KODU REFERENCE CODE	AKSESUAR ADI DESCRIPTION	AKSESUAR KODU PRODUCT CODE	PAKET PACK
	01 081702	SİSTEM AYARLI VASİSTAS ÇARPMA (NATUREL) SYSTEM TRANSOM CATCH (NATURAL)	WD70T-VÇ.702	100 ad / 1 pk
	01 081703	SİSTEM AYARLI VASİSTAS ÇARPMA (BEYAZ) SYSTEM TRANSOM CATCH (WHITE)	WD70T-VÇ.703	100 ad / 1 pk
	01 081704	SİSTEM AYARLI VASİSTAS ÇARPMA (RENKLİ) SYSTEM TRANSOM CATCH (COLORED)	WD70T-VÇ.704	100 ad / 1 pk
	01 011301	OVAL SERİ PENCERE MENTEŞE (ELOKSALLI) OVAL SERIES WINDOW HINGE (ANODIZED)	WD70T-PM.301	10 ad / 1 pk
	01 011302	OVAL SERİ PENCERE MENTEŞE (BEYAZ) OVAL SERIES WINDOW HINGE (WINDOW)	WD70T-PM.302	10 ad / 1 pk
	01 011303	OVAL SERİ PENCERE MENTEŞE (RENKLİ) OVAL SERIES WINDOW HINGE (COLORED)	WD70T-PM.303	10 ad / 1 pk
	01 011601	OVAL SERİ KAPI MENTEŞE (ELOKSALLI) OVAL SERIES DOOR HINGE (ANODIZED)	WD70T-PM.601	10 ad / 1 pk
	01 011602	OVAL SERİ KAPI MENTEŞE (BEYAZ) OVAL SERIES DOOR HINGE (WHITE)	WD70T-PM.602	10 ad / 1 pk
	01 011603	OVAL SERİ KAPI MENTEŞE (RENKLİ) OVAL SERIES DOOR HINGE (COLORED)	WD70T-PM.603	10 ad / 1 pk
	01 090650	PVC KANALLI TEK AÇILIM MENTEŞE TAKIMI (9/18) PVC GROOVED CASEMENT HINGE (9/18)	WD70T-PM.650	1 pk / 100 ad
	01 090680	PVC KANALLI ÇİFT AÇILIM MENTEŞE TAKIMI (9/18) PVC GROOVED TILT&TURN SET (9/18)	WD70T-PMT.680	1 pk / 100 ad
	01 080301	SİSTEM 13 CM VASİSTAS MAKAS (NATUREL) SYSTEM 13 CM TRANSOM TRUSS (ANODIZED)	WD70T-VM.301	50 ad / 1 pk
	01 080302	SİSTEM 13 CM VASİSTAS MAKAS (BEYAZ) SYSTEM 13 CM TRANSOM TRUSS (WHITE)	WD70T-VM.302	50 ad / 1 pk
	01 080303	SİSTEM 13 CM VASİSTAS MAKAS (RENKLİ) SYSTEM 13 CM TRANSOM TRUSS (COLORED)	WD70T-VM.303	50 ad / 1 pk
	01 080401	SİSTEM 22 CM VASİSTAS MAKAS (NATUREL) SYSTEM 22 CM TRANSOM TRUSS (ANODIZED)	WD70T-VM.401	50 ad / 1 pk
	01 080402	SİSTEM 22 CM VASİSTAS MAKAS (BEYAZ) SYSTEM 22 CM TRANSOM TRUSS (WHITE)	WD70T-VM.402	50 ad / 1 pk
	01 080403	SİSTEM 22 CM VASİSTAS MAKAS (RENKLİ) SYSTEM 22 CM TRANSOM TRUSS (COLORED)	WD70T-VM.403	50 ad / 1 pk



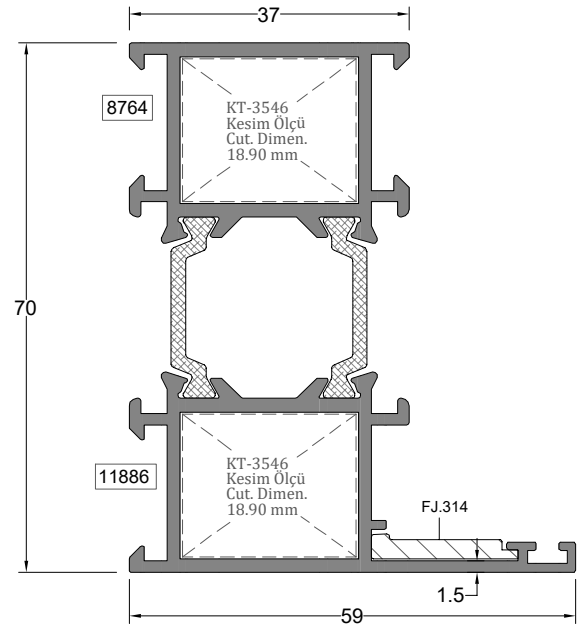
Kasa Profili FRAME PROFILE	Profil Kodu Profile Code	(kg/mt) weight	Jx cm ⁴	Jy cm ⁴
	70-7000-7001	1,515	30,45	10,01



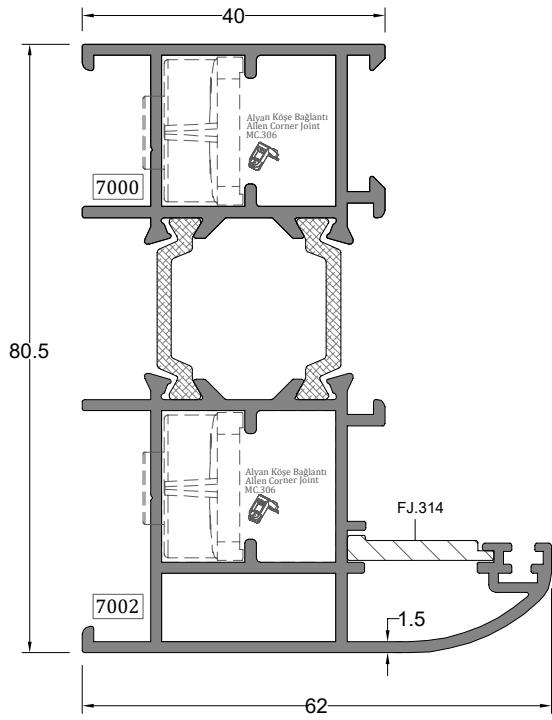
Kasa Profili FRAME PROFILE	Profil Kodu Profile Code	(kg/mt) weight	Jx cm ⁴	Jy cm ⁴
	70-7004-7005	1,466	29,32	10,00



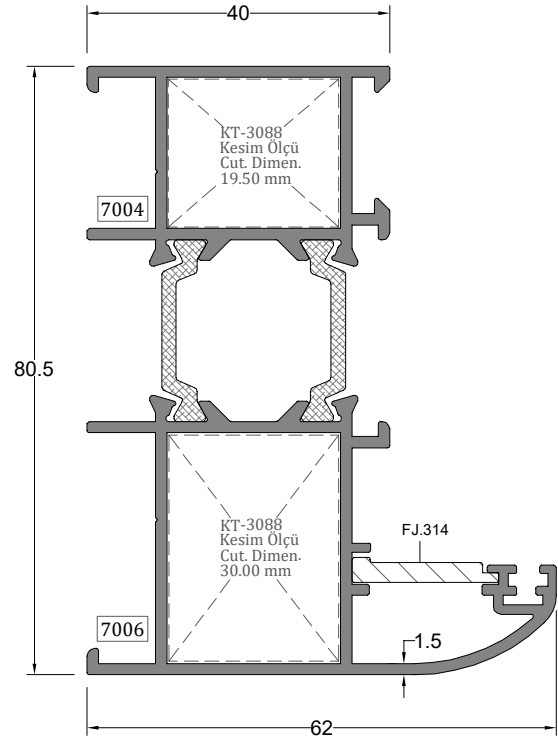
Kasa Profili FRAME PROFILE	Profil Kodu Profile Code	(kg/mt) weight	Jx cm ⁴	Jy cm ⁴
	70-6880-6879	1,625	33,08	10,95



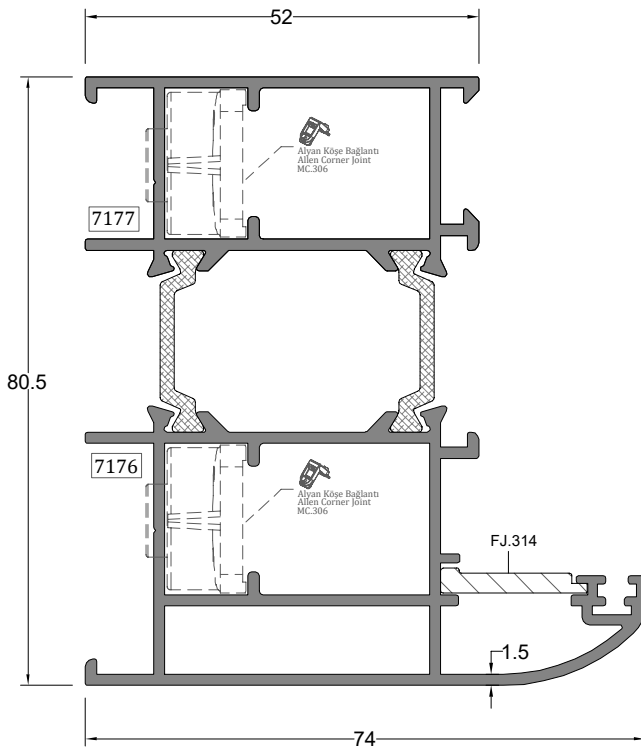
Kasa Profili FRAME PROFILE	Profil Kodu Profile Code	(kg/mt) weight	Jx cm ⁴	Jy cm ⁴
	70-8764-11886	1,523	31,88	9,40



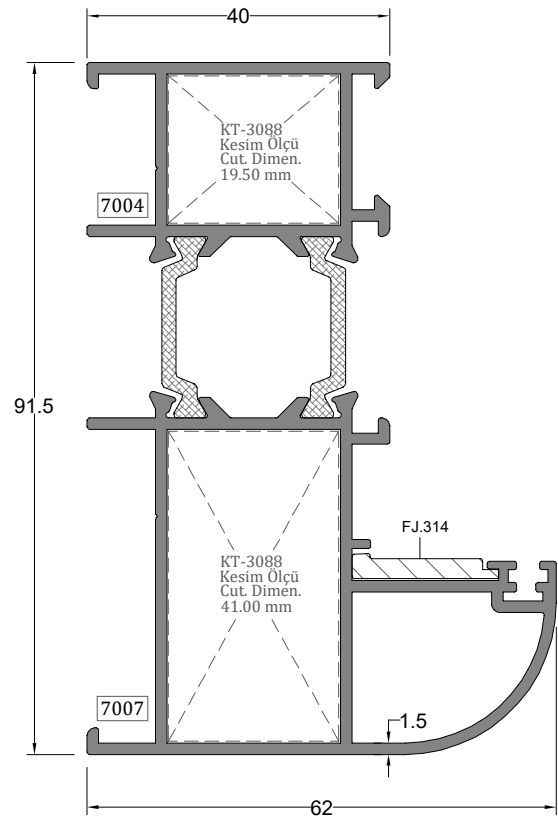
Kasa Profili	Profil Kodu	(kg/mt)	Jx cm ⁴	Jy cm ⁴
FRAME PROFILE	Profile Code	weight		
	70-7000-7002	1,773	45,11	13,50



Kasa Profili	Profil Kodu	(kg/mt)	Jx cm ⁴	Jy cm ⁴
FRAME PROFILE	Profile Code	weight		
	70-7004-7006	1,632	43,08	14,62

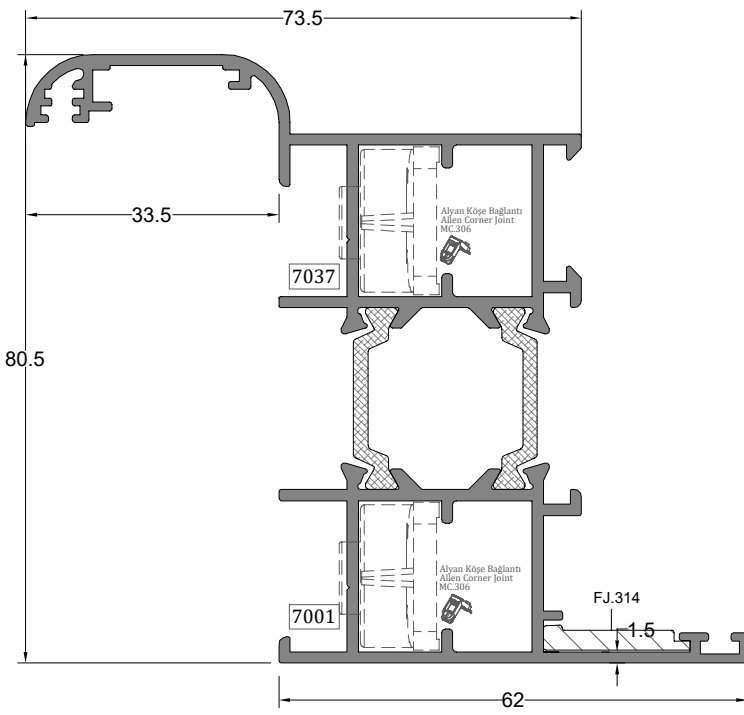


Kasa Profili	Profil Kodu	(kg/mt)	Jx cm ⁴	Jy cm ⁴
FRAME PROFILE	Profile Code	weight		
	70-7176-7177	2,007	54,46	27,87

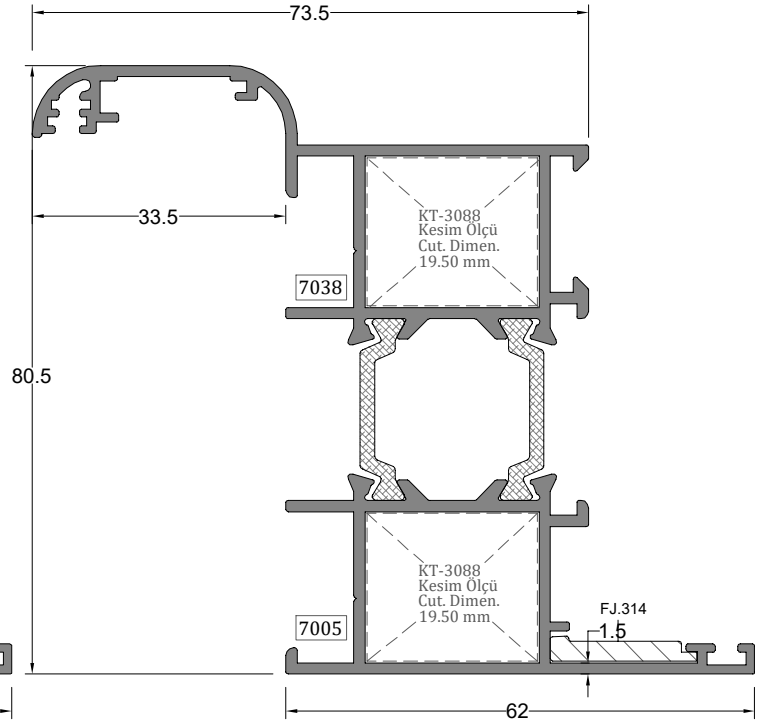


Kasa Profili	Profil Kodu	(kg/mt)	Jx cm ⁴	Jy cm ⁴
FRAME PROFILE	Profile Code	weight		
	70-7004-7007	1,824	59,56	17,81

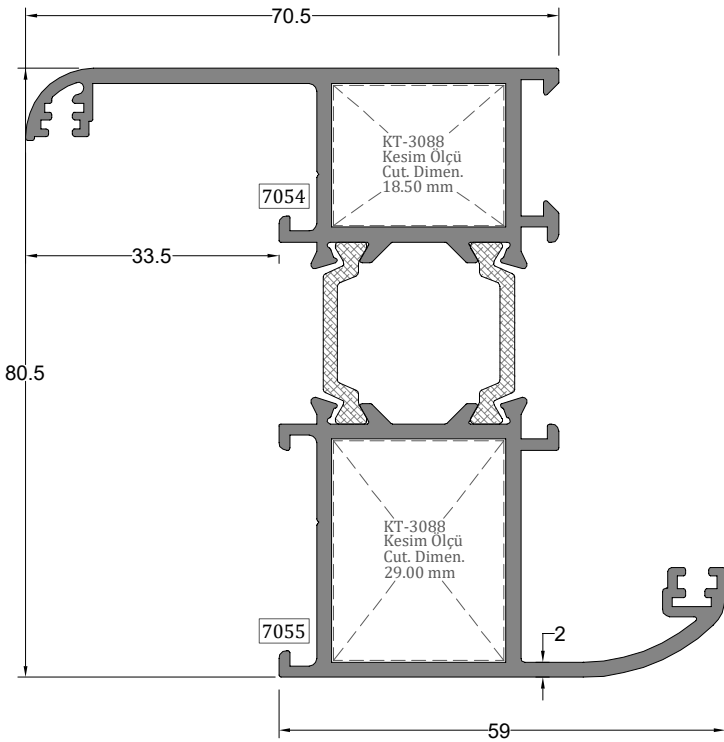
** Her profil için minimum sipariş 300 kg'dır.
** Minimum order quantity is 300 kg per profile.



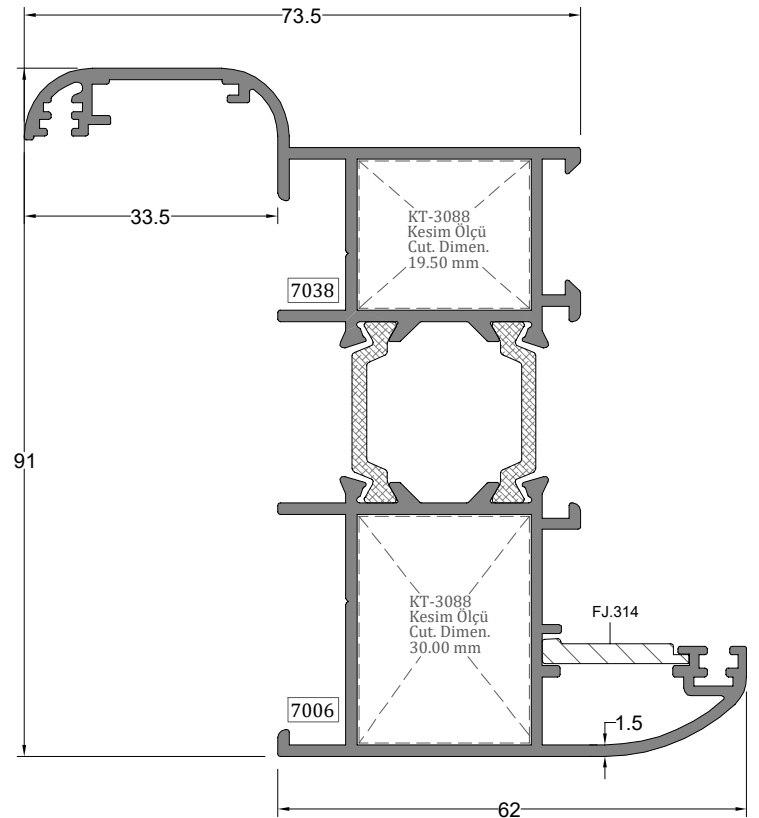
Z Kasa Profili	Profil Kodu	(kg/mt)	Jx cm ⁴	Jy cm ⁴
Z FRAME PROFILE	Profile Code	weight		
	70-7037-7001	1,786	71,49	45,47



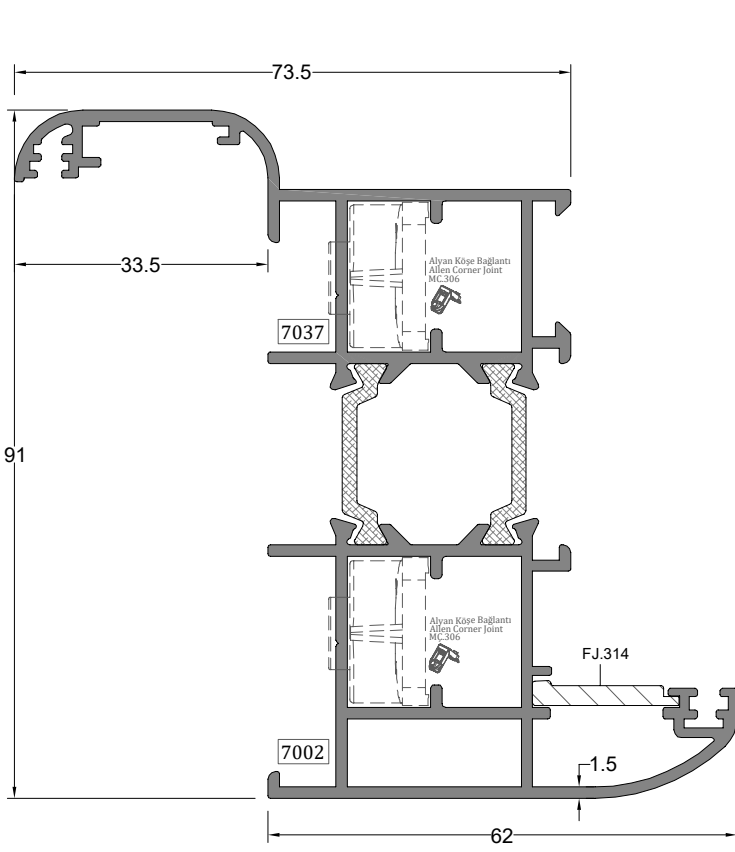
Z Kasa Profili	Profil Kodu	(kg/mt)	Jx cm ⁴	Jy cm ⁴
Z FRAME PROFILE	Profile Code	weight		
	70-7038-7005	1,737	46,54	26,19



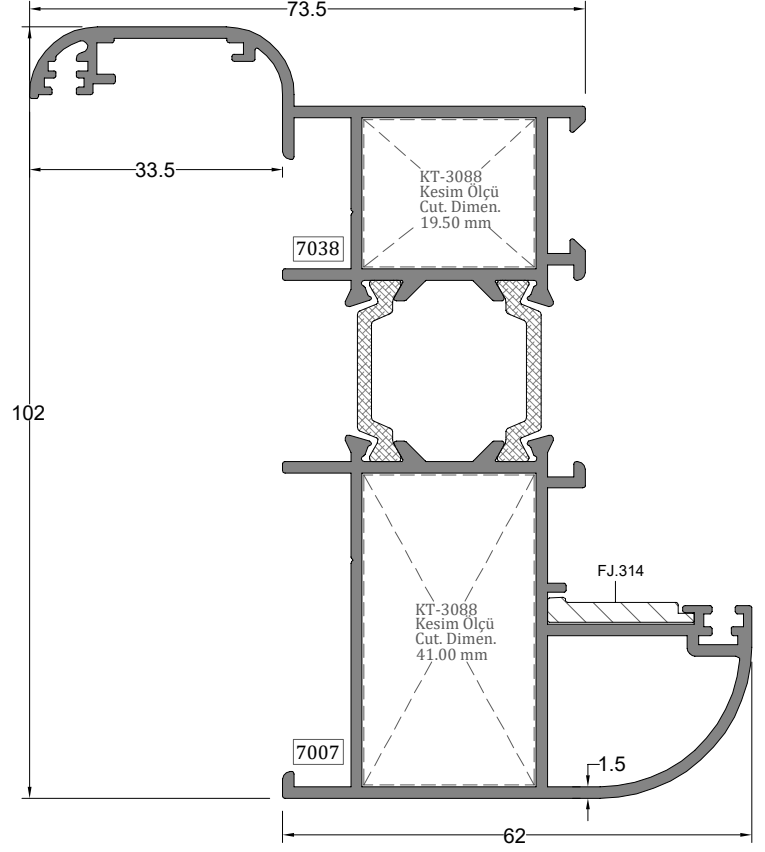
Z Kasa Profili	Profil Kodu	(kg/mt)	Jx cm ⁴	Jy cm ⁴
Z FRAME PROFILE	Profile Code	weight		
	70-7054-7055	2,152	62,24	29,35



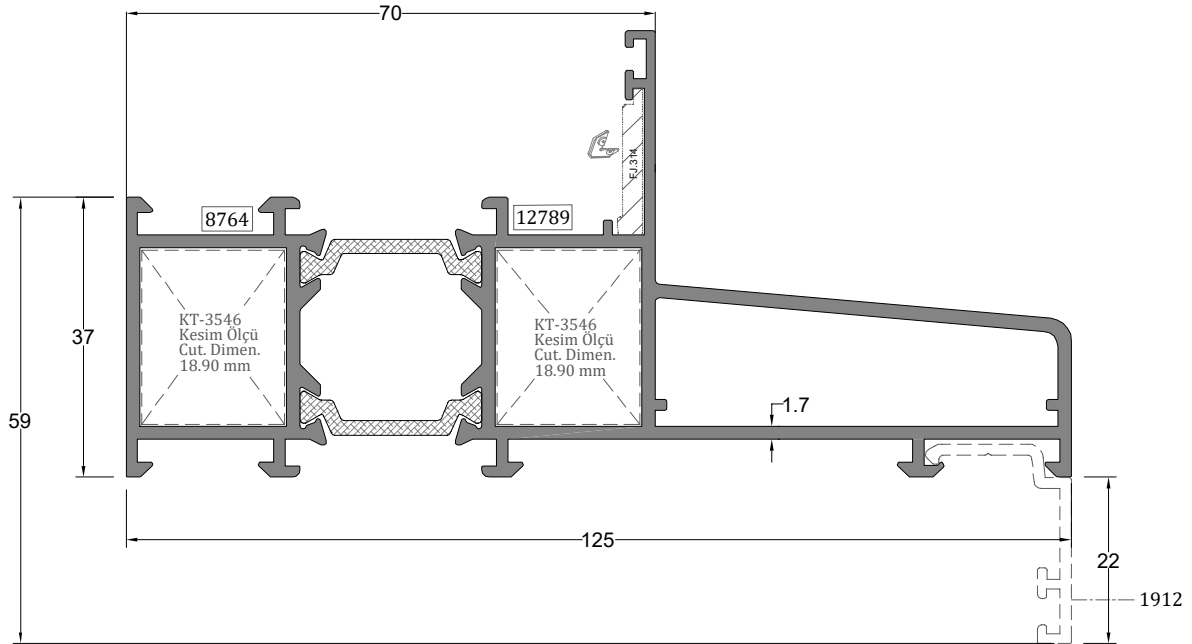
Z Kasa Profili	Profil Kodu	(kg/mt)	Jx cm ⁴	Jy cm ⁴
Z FRAME PROFILE	Profile Code	weight		
	70-7038-7006	1,902	63,47	30,68



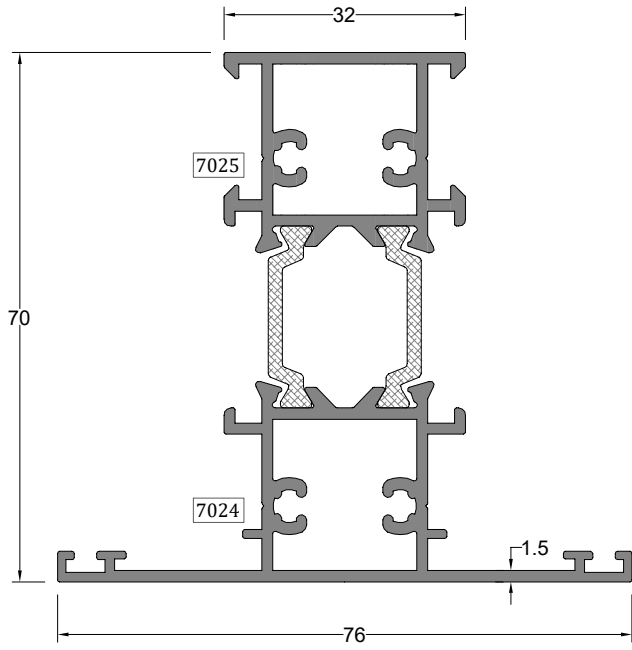
Z Kasa Profili	Profil Kodu	(kg/mt)	Jx cm ⁴	Jy cm ⁴
Z FRAME PROFILE	Profile Code	weight		
	70-7037-7002	2,044	68,34	30,87



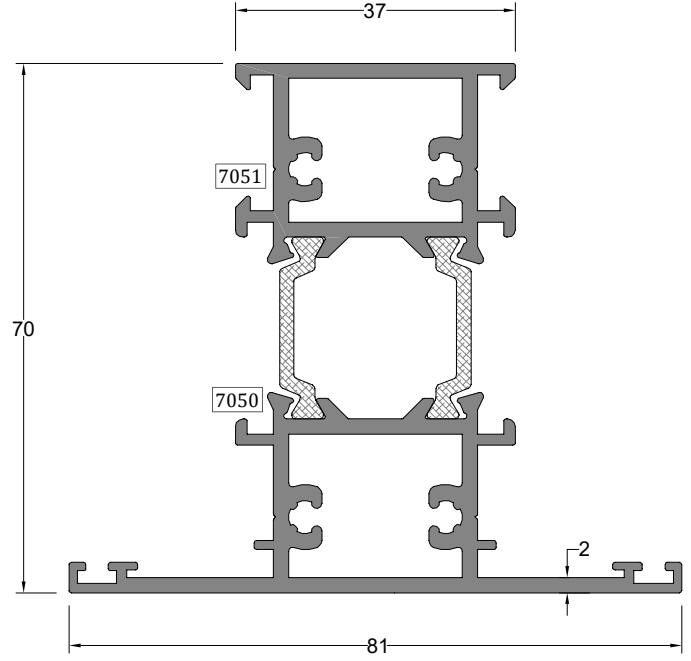
Z Kasa Profili	Profil Kodu	(kg/mt)	Jx cm ⁴	Jy cm ⁴
Z FRAME PROFILE	Profile Code	weight		
	70-7038-7007	2,095	127,91	53,99



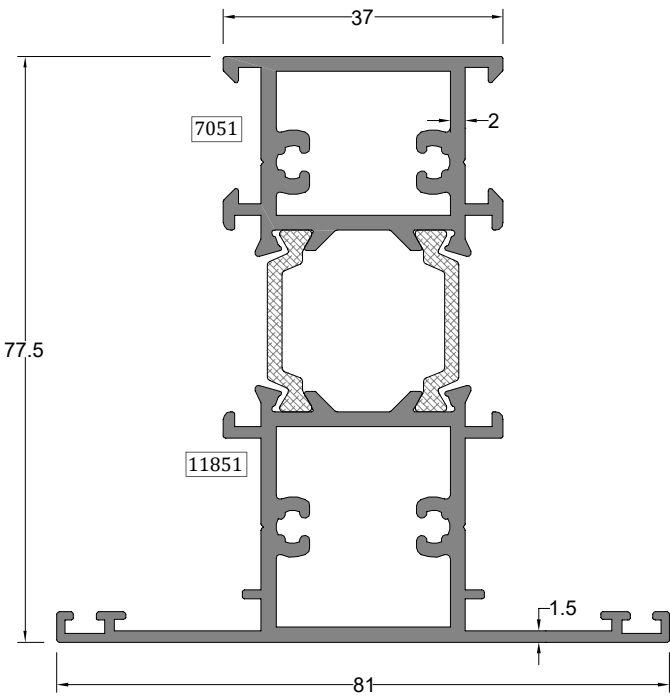
Geniş Kasa Profili	Profil Kodu	(kg/mt)	Jx cm ⁴	Jy cm ⁴
LARGE FRAME PROFILE	Profile Code	weight		
	70-8764-12789	2,180	111,20	19,83



Orta Kayıt Profili MULLION PROFILE	Profil Kodu Profile Code	(kg/mt) weight	Jx cm ⁴	Jy cm ⁴
	70-7025-7024	1,664	34,74	11,91

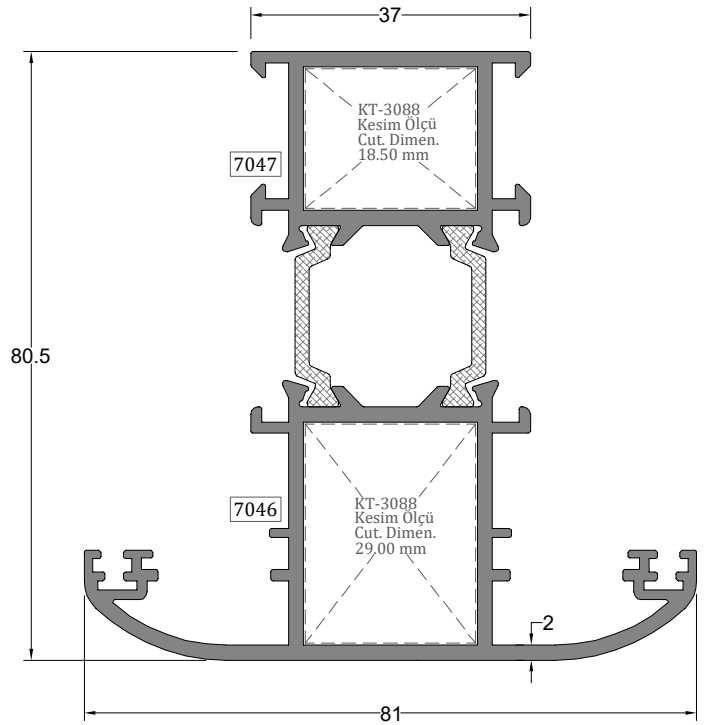


Orta Kayıt Profili MULLION PROFILE	Profil Kodu Profile Code	(kg/mt) weight	Jx cm ⁴	Jy cm ⁴
	70-7051-7050	2,083	44,96	17,98

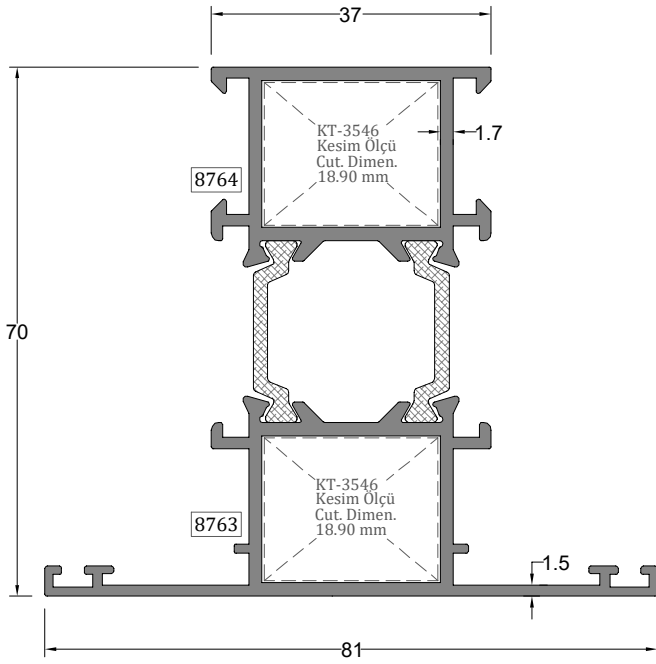


(7010-11824)*(7012-11825)*(7015-11826)*(11828-11825) profillerde kullanılır

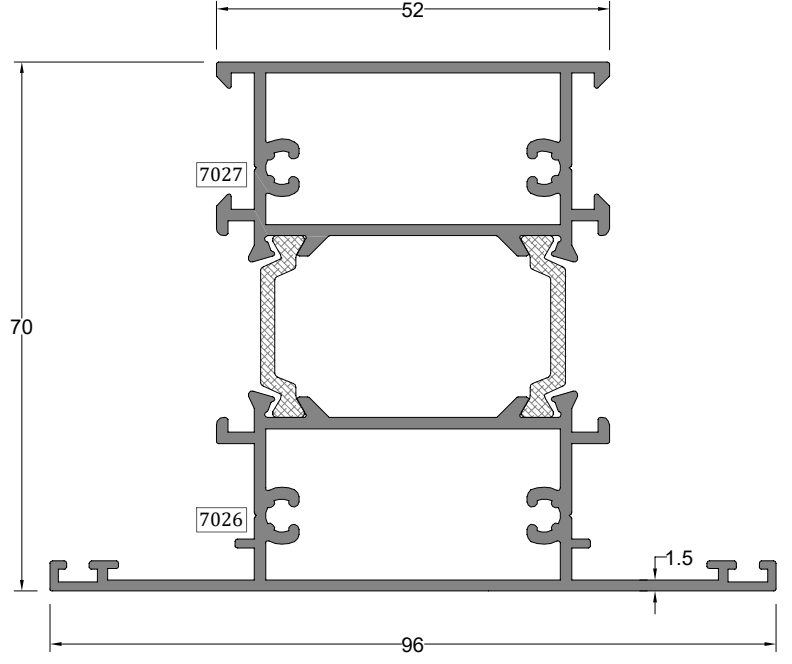
Kanat İçi Orta Kayıt Profili MULLION PROFILE (IN-SASH)	Profil Kodu Profile Code	(kg/mt) weight	Jx cm ⁴	Jy cm ⁴
	70-7051-11851	1,907	54,14	17,29



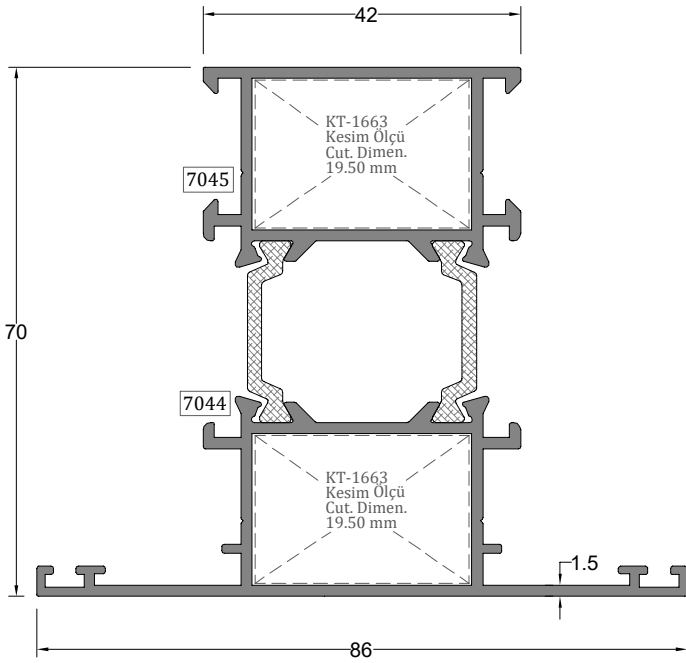
Orta Kayıt Profili MULLION PROFILE	Profil Kodu Profile Code	(kg/mt) weight	Jx cm ⁴	Jy cm ⁴
	70-7047-7046	2,129	58,54	25,37



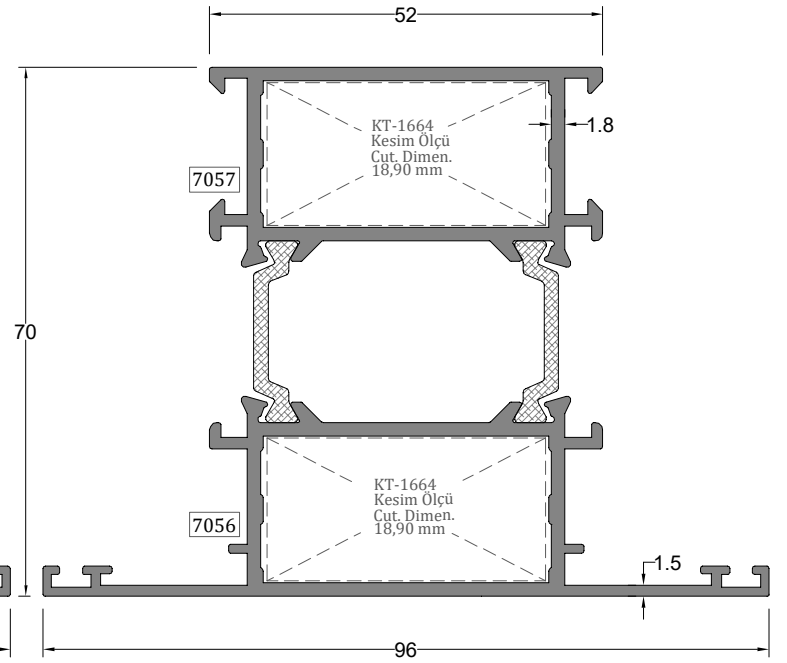
Orta Kayıt Profili	Profil Kodu	(kg/mt)	Jx cm ⁴	Jy cm ⁴
MULLION PROFILE	Profile Code	weight		
	70-8764-8763	1,680	35,74	15,72



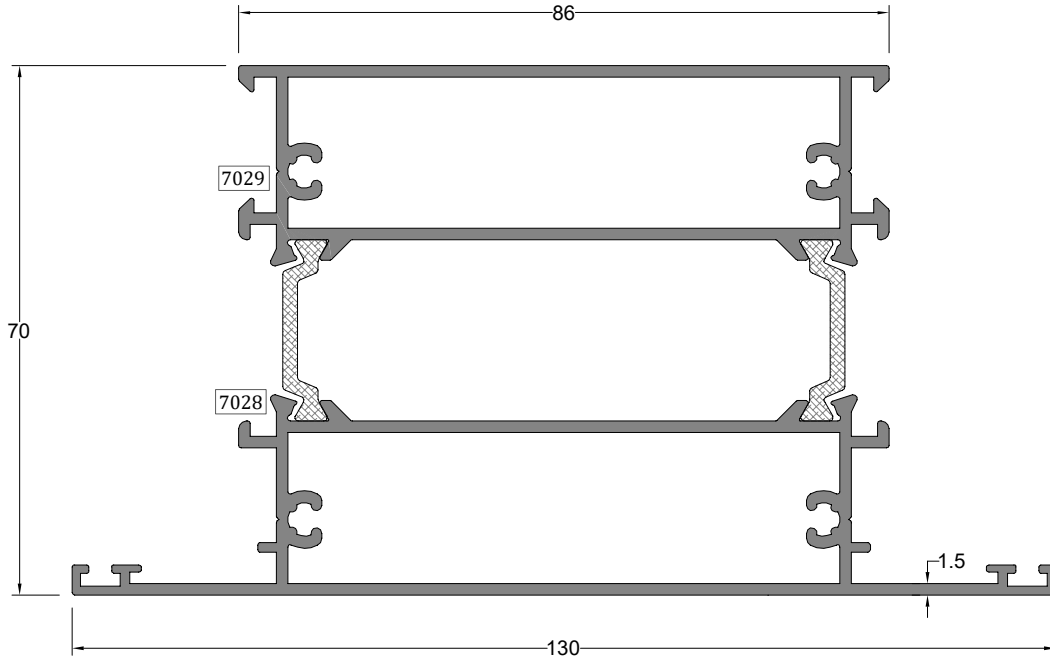
Orta Kayıt Profili	Profil Kodu	(kg/mt)	Jx cm ⁴	Jy cm ⁴
MULLION PROFILE	Profile Code	weight		
	70-7027-7026	1,989	42,93	33,70



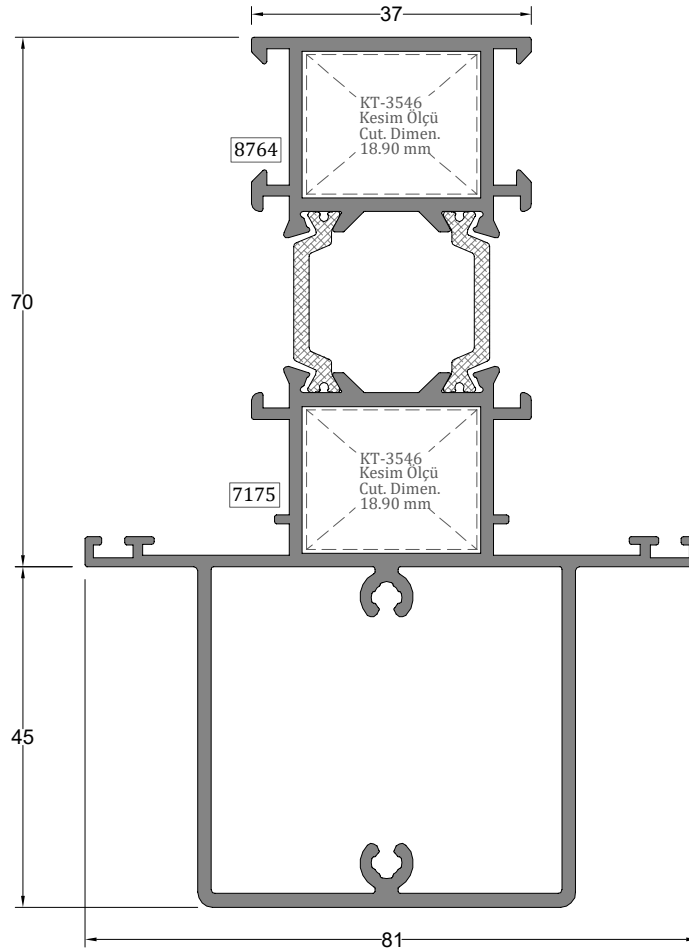
Orta Kayıt Profili	Profil Kodu	(kg/mt)	Jx cm ⁴	Jy cm ⁴
MULLION PROFILE	Profile Code	weight		
	70-7045-7044	1,633	35,00	19,88



Orta Kayıt Profili	Profil Kodu	(kg/mt)	Jx cm ⁴	Jy cm ⁴
MULLION PROFILE	Profile Code	weight		
	70-7057-7056	2,011	44,14	33,35

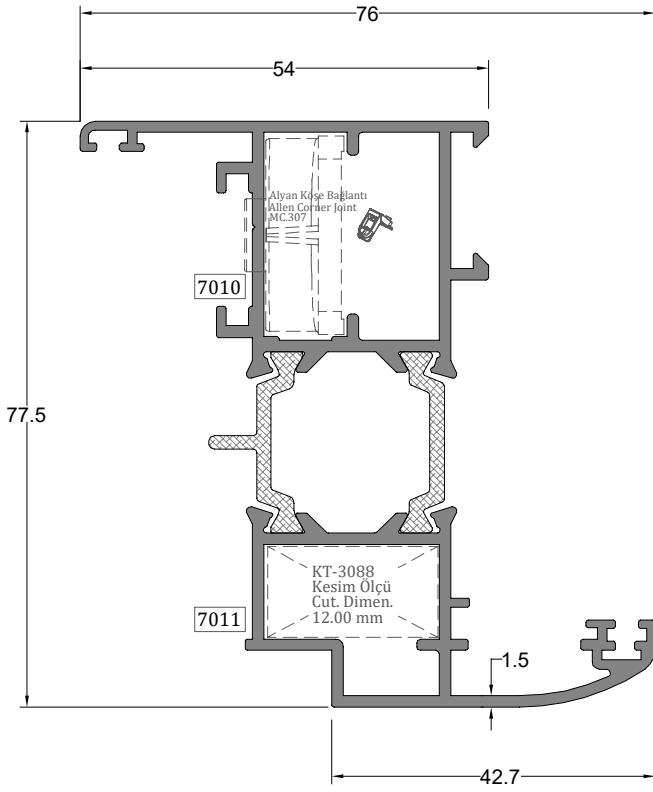


Orta Kayıt Profili	Profil Kodu Profile Code	(kg/mt) weight	Jx cm ⁴	Jy cm ⁴
MULLION PROFILE	70-7029-7028	2,542	56,77	108,18

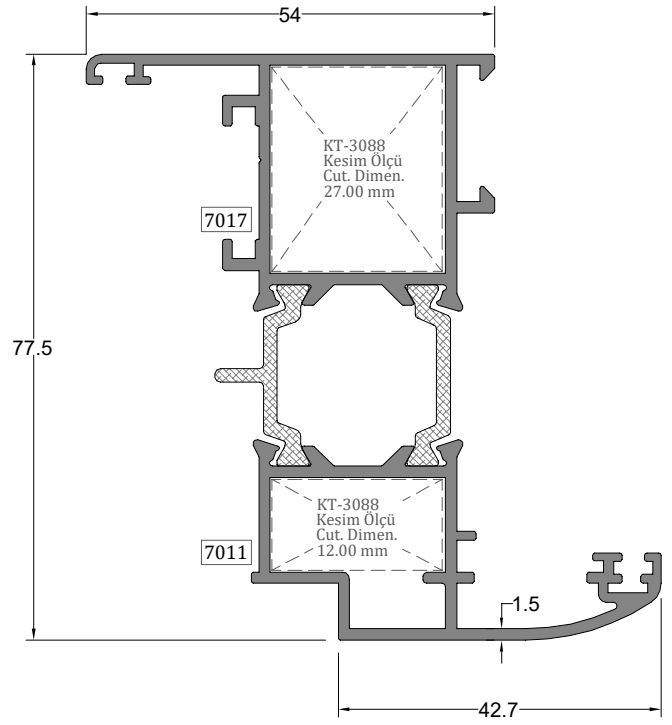


Takviyeli Orta Kayıt Profili	Profil Kodu Profile Code	(kg/mt) weight	Jx cm ⁴	Jy cm ⁴
REINFORCED MULLION PROFILE	70-8764-7175	2,466	114,88	26,56

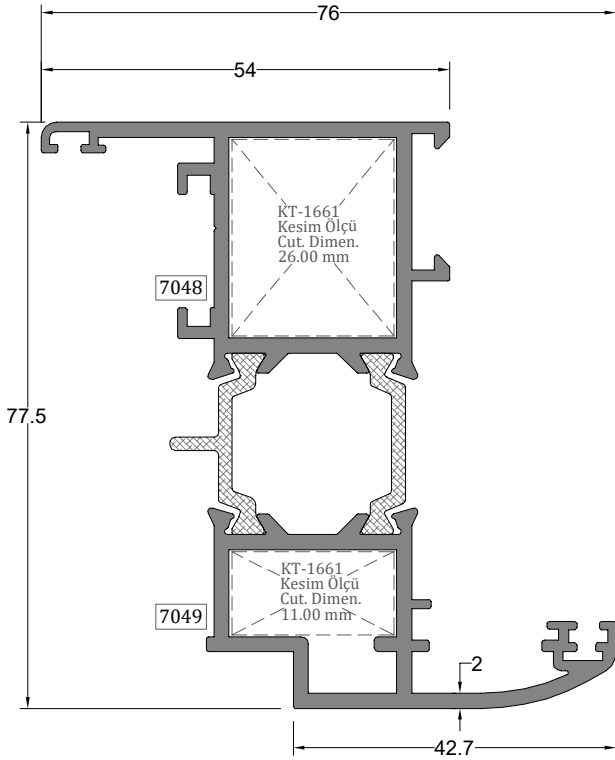
** Her profil için minimum sipariş 300 kg'dır.
** Minimum order quantity is 300 kg per profile.



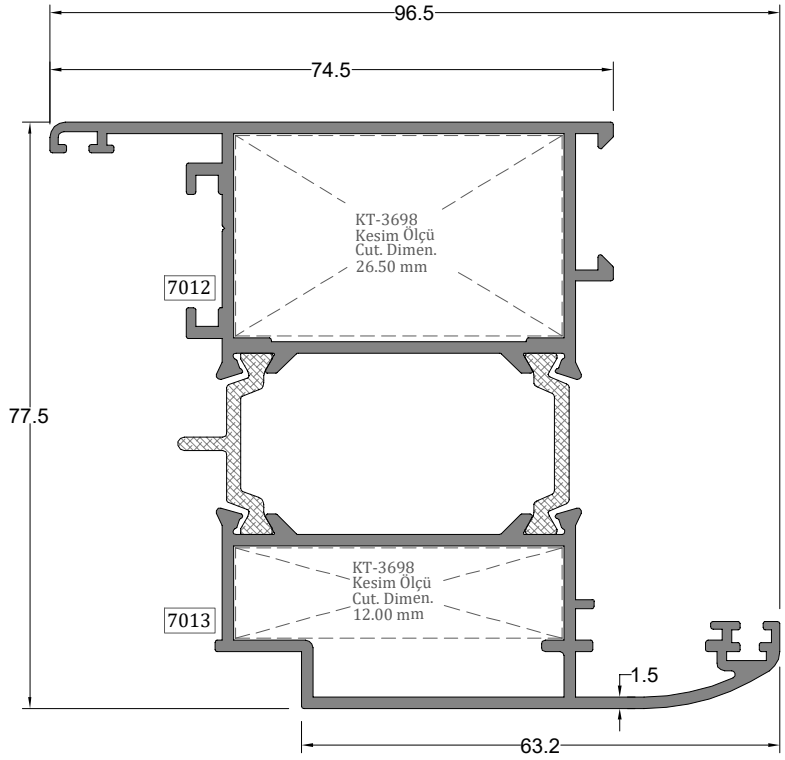
Kanat Profili	Profil Kodu	(kg/mt)	Jx cm ⁴	Jy cm ⁴
SASH PROFILE	Profile Code	weight		
	70-7010-7011	1,650	42,25	15,91



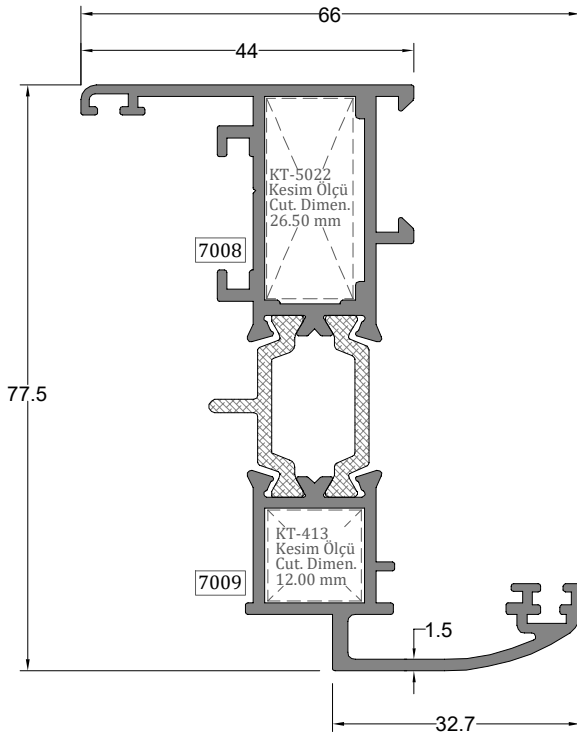
Kanat Profili	Profil Kodu	(kg/mt)	Jx cm ⁴	Jy cm ⁴
SASH PROFILE	Profile Code	weight		
	70-7017-7011	1,622	41,55	15,89



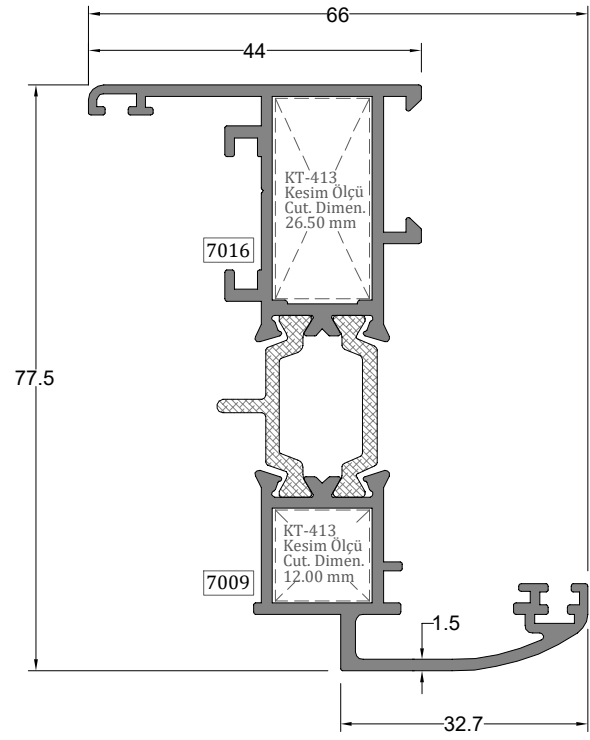
Kanat Profili	Profil Kodu	(kg/mt)	Jx cm ⁴	Jy cm ⁴
SASH PROFILE	Profile Code	weight		
	70-7048-7049	1,928	50,68	17,65



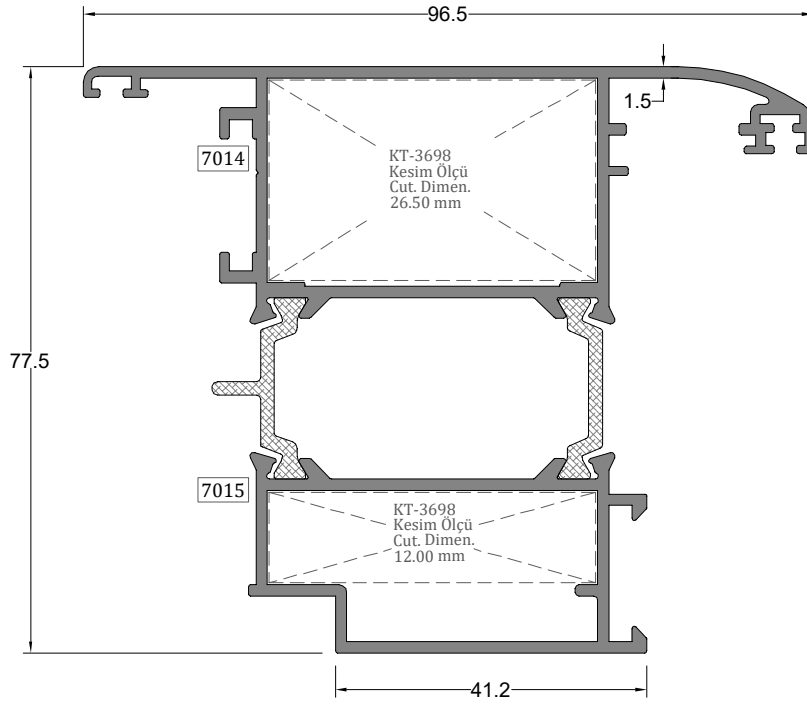
Kanat Profili	Profil Kodu	(kg/mt)	Jx cm ⁴	Jy cm ⁴
SASH PROFILE	Profile Code	weight		
	70-7012-7013	1,970	55,51	41,06



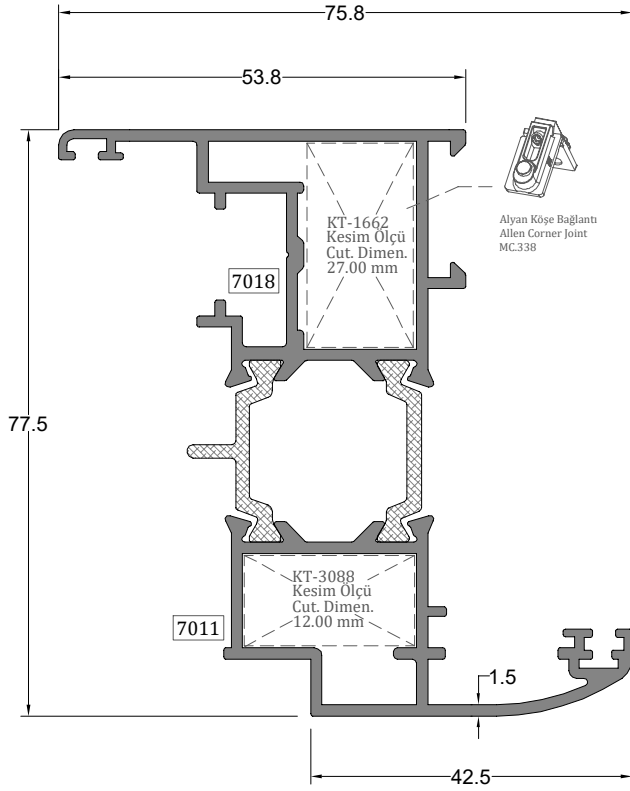
Kanat Profili	Profil Kodu	(kg/mt)	Jx cm ⁴	Jy cm ⁴
SASH PROFILE	Profile Code	weight		
	70-7008-7009	1,451	36,51	8,85



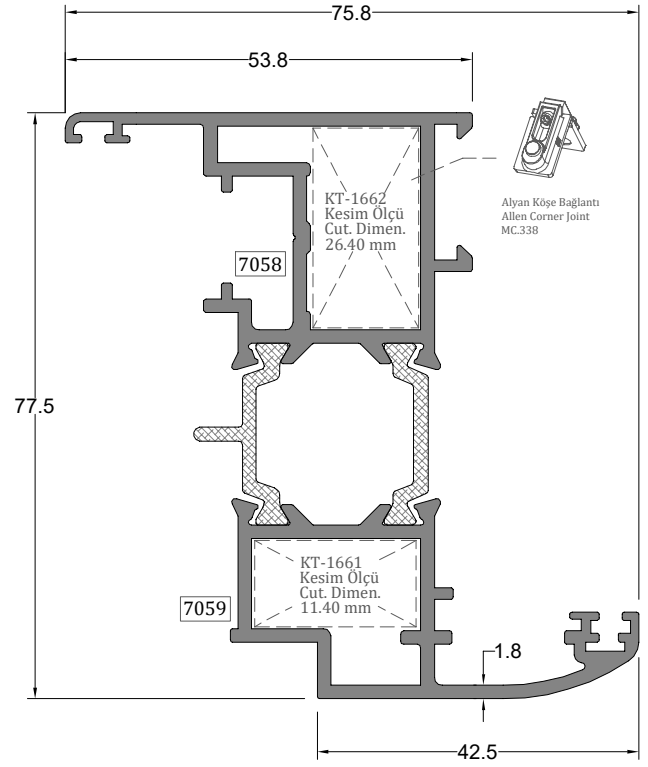
Kanat Profili	Profil Kodu	(kg/mt)	Jx cm ⁴	Jy cm ⁴
SASH PROFILE	Profile Code	weight		
	70-7016-7009	1,432	36,00	8,84



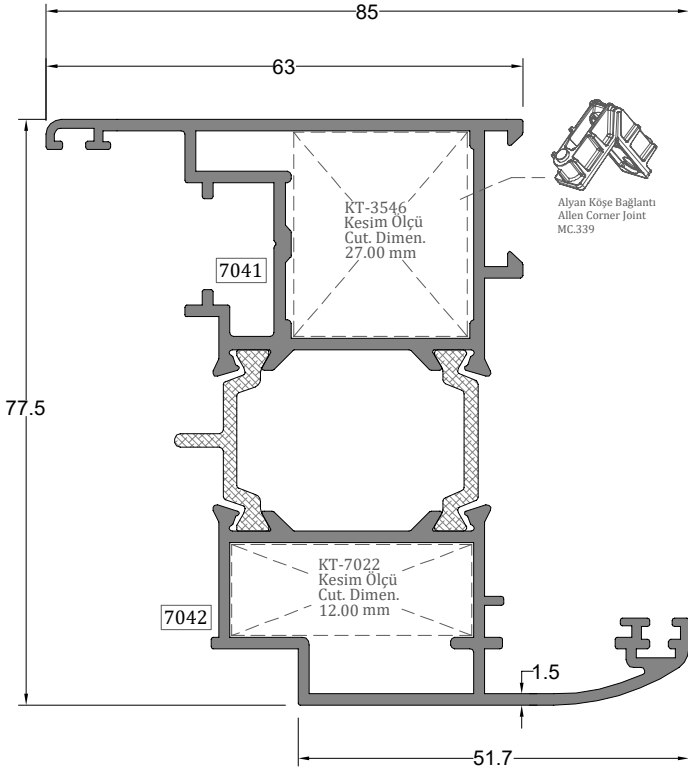
Dışa Açılır Kanat Profili	Profil Kodu	(kg/mt)	Jx cm ⁴	Jy cm ⁴
OUTWARD OPENING SASH PROFILE	Profile Code	weight		
	70-7015-7014	1,970	50,37	41,06



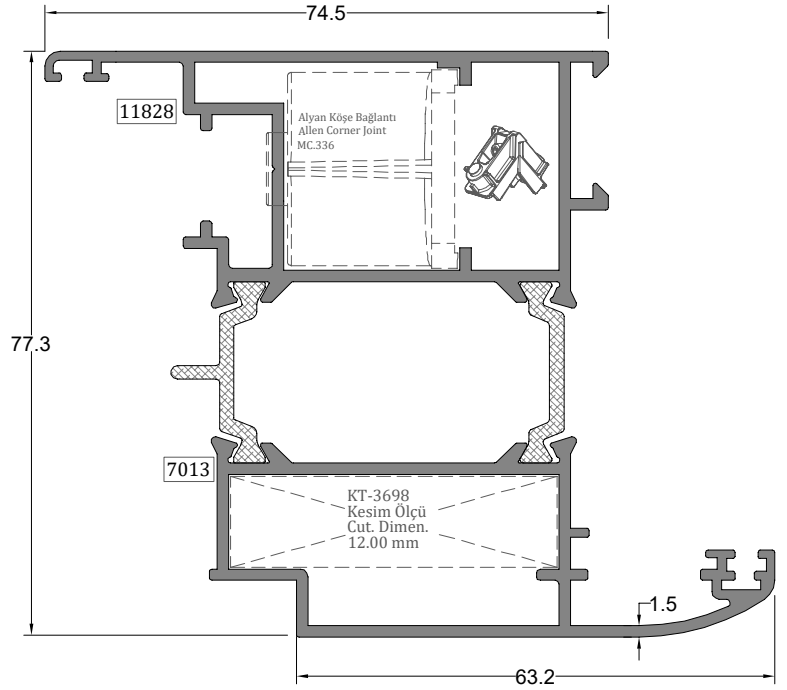
Pvc Kanallı Kanat Profili	Profil Kodu Profile Code	(kg/mt) weight	Jx cm ⁴	Jy cm ⁴
PVC GROOVED SASH PROFILE	70-7018-7011	1,678	42,72	15,46



Pvc Kanallı Kanat Profili	Profil Kodu Profile Code	(kg/mt) weight	Jx cm ⁴	Jy cm ⁴
PVC GROOVED SASH PROFILE	70-7058-7059	1,860	48,37	16,54

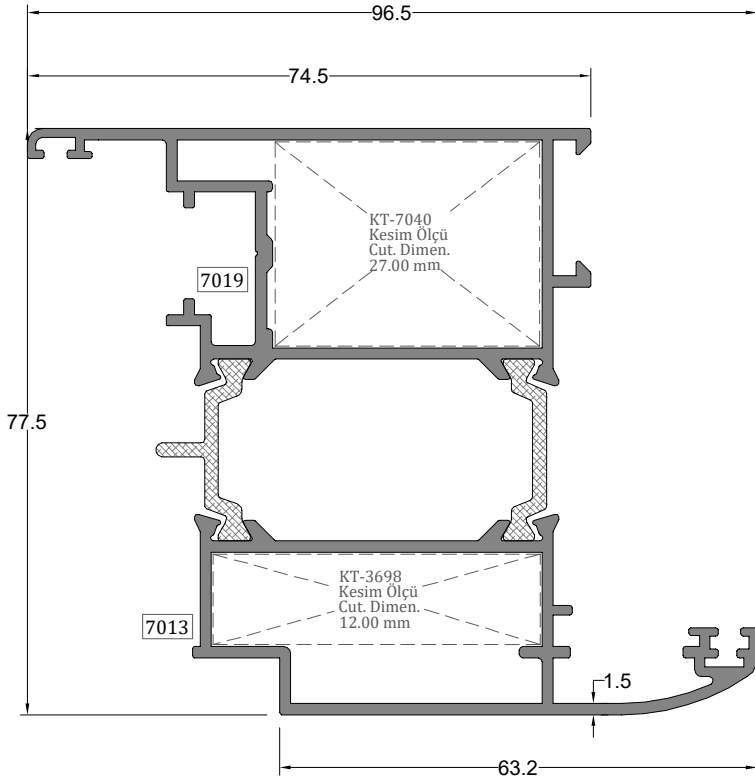


Pvc Kanallı Kanat Profili	Profil Kodu Profile Code	(kg/mt) weight	Jx cm ⁴	Jy cm ⁴
PVC GROOVED SASH PROFILE	70-7041-7042	1,834	40,36	24,82

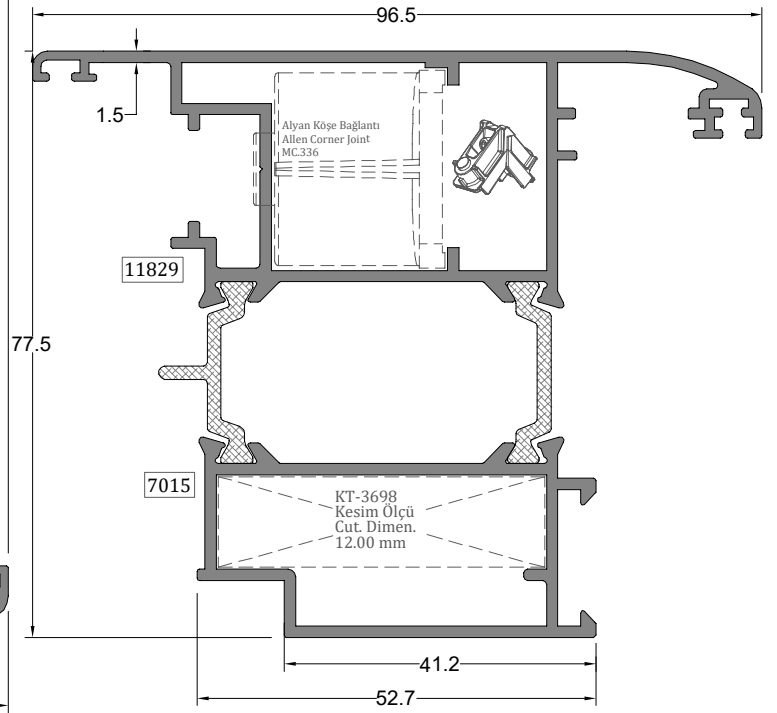


Pvc Kanallı Kanat Profili	Profil Kodu Profile Code	(kg/mt) weight	Jx cm ⁴	Jy cm ⁴
PVC GROOVED SASH PROFILE	70-11828-7013	2,008	53,41	40,77

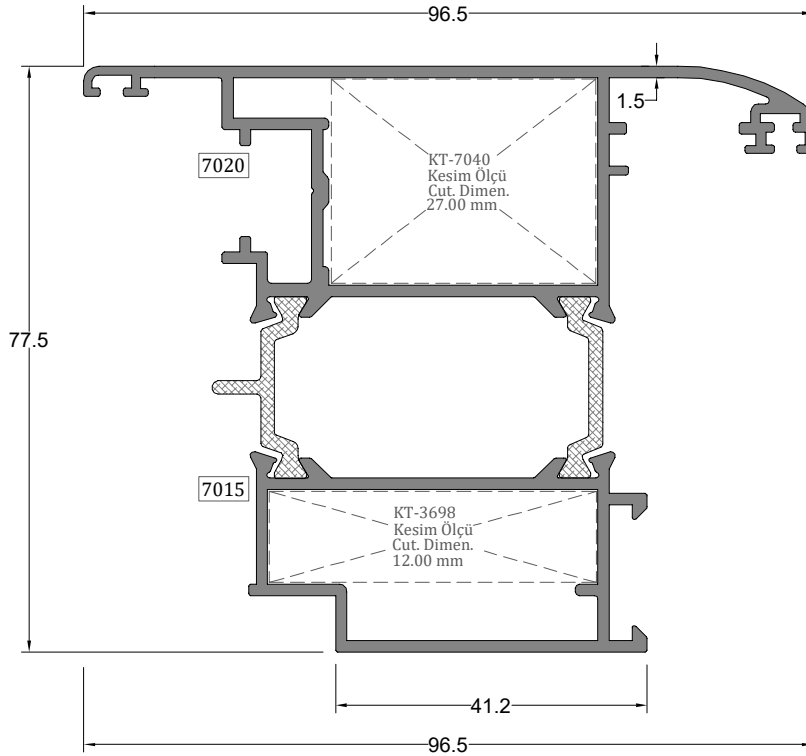
** Her profil için minimum sipariş 300 kg'dır.
** Minimum order quantity is 300 kg per profile.



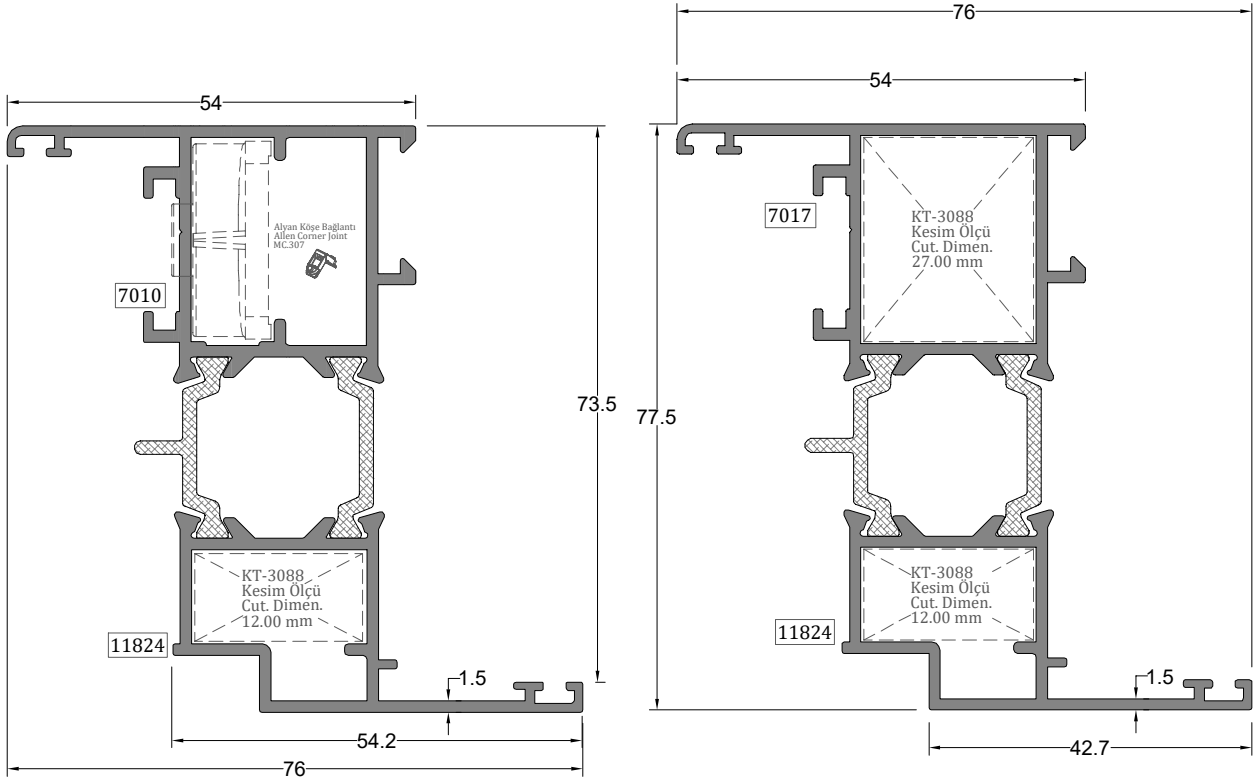
Pvc Kanallı Kanat Profili	Profil Kodu Profile Code	(kg/mt) weight	Jx cm ⁴	Jy cm ⁴
PVC GROOVED SASH PROFILE	70-7019-7013	2,015	52,77	40,78



Pvc Kanallı Kanat Profili	Profil Kodu Profile Code	(kg/mt) weight	Jx cm ⁴	Jy cm ⁴
PVC GROOVED SASH PROFILE	70-11829-7015	2,007	51,66	40,77

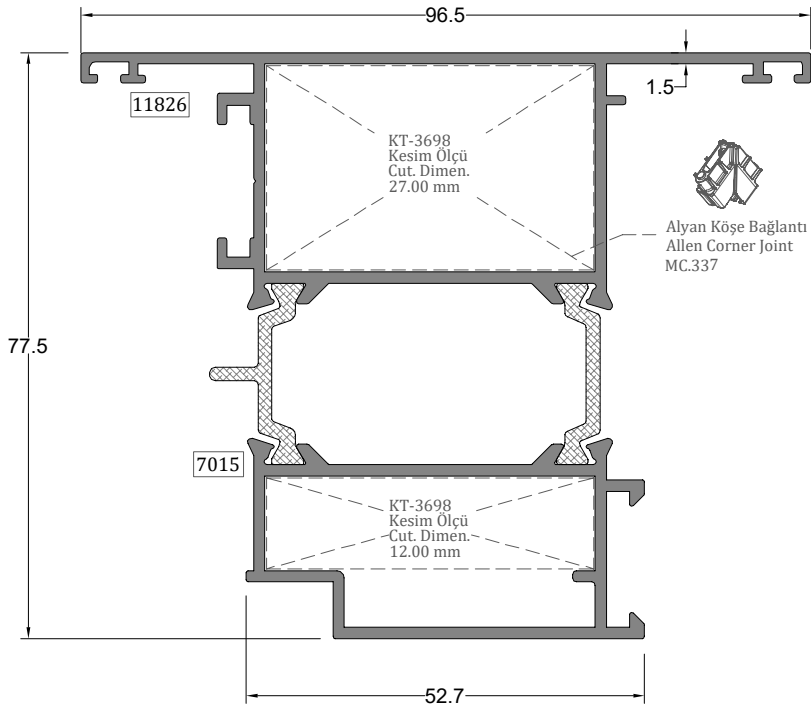


Dışa Açılır Pvc Kanallı Kanat Profili	Profil Kodu Profile Code	(kg/mt) weight	Jx cm ⁴	Jy cm ⁴
OUTWARD OPENING PVC GROOVED SASH PROFILE	70-7015-7020	2,015	51,17	40,78



Kanat Profili SASH PROFILE	Profil Kodu Profile Code	(kg/mt) Weight	Jx cm ⁴	Jy cm ⁴
	70-7010-11824	1,570	40,50	13,24

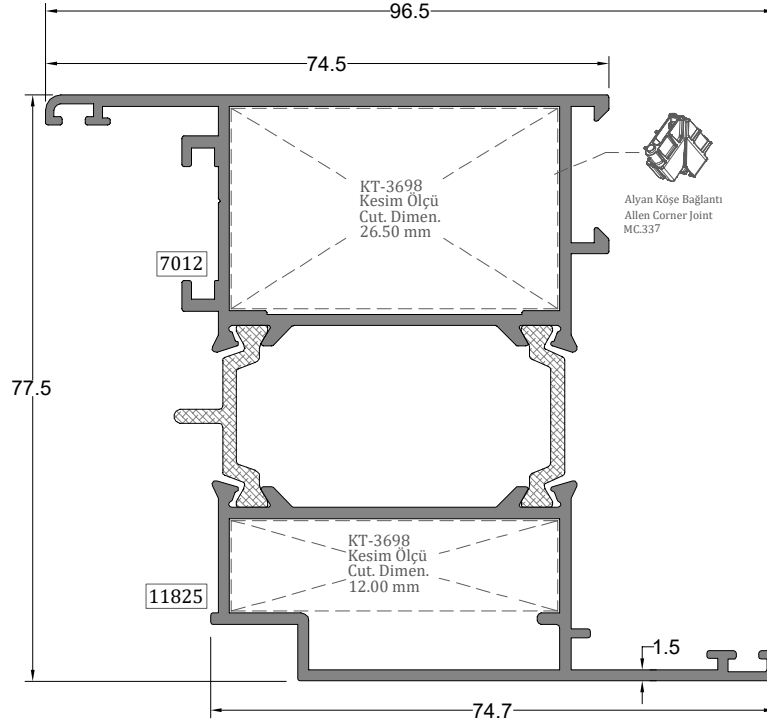
Kanat Profili SASH PROFILE	Profil Kodu Profile Code	(kg/mt) Weight	Jx cm ⁴	Jy cm ⁴
	70-7017-11824	1,537	41,55	15,89



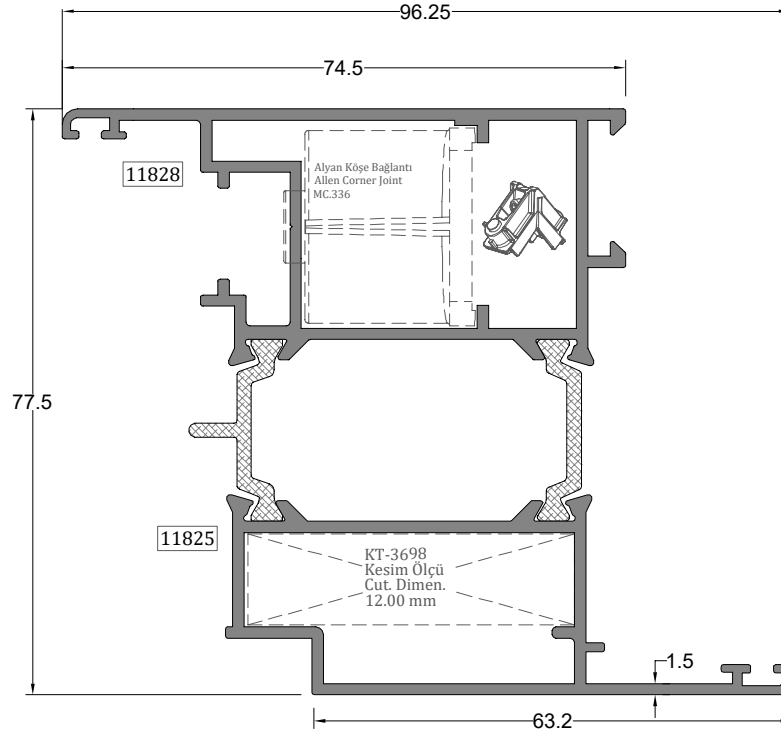
Dışa Açılır Kanat Profili OUTWARD OPENING SASH PROFILE	Profil Kodu Profile Code	(kg/mt) Weight	Jx cm ⁴	Jy cm ⁴
	70-7015-11826	1,860	49,05	36,17

★ Dıştan Görünüm Hemyüz Sistem
Uniform Look From Outside

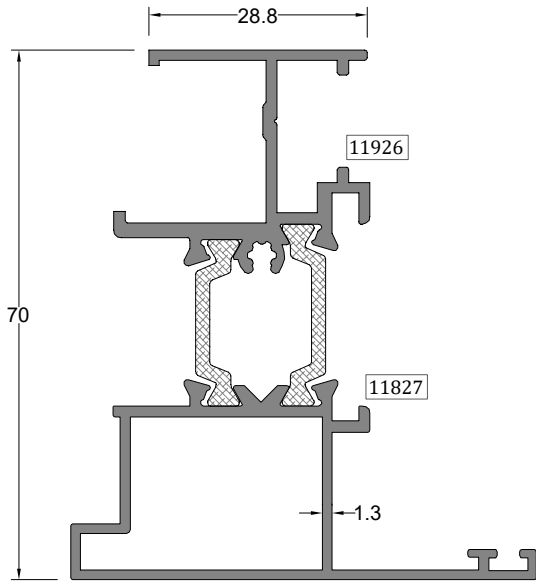
** Her profil için minimum sipariş 300 kg'dır.
** Minimum order quantity is 300 kg per profile.



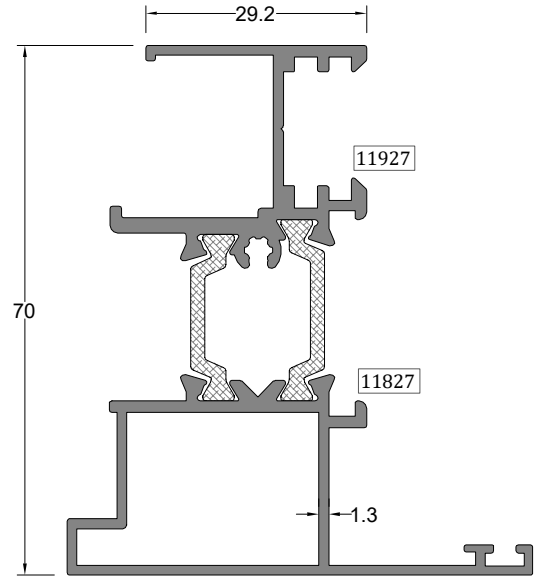
Kanat Profili	Profil Kodu	(kg/mt)	Jx cm ⁴	Jy cm ⁴
SASH PROFILE	Profile Code	Weight		
	70-7012-11825	1,880	53,41	40,77



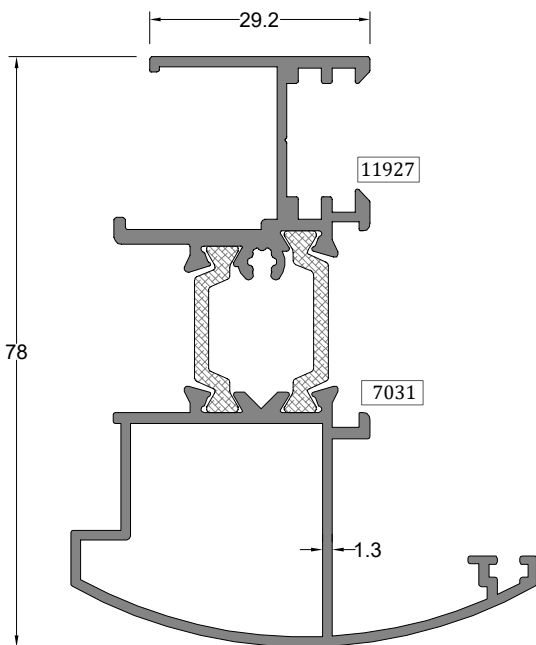
Kanat Profili	Profil Kodu	(kg/mt)	Jx cm ⁴	Jy cm ⁴
SASH PROFILE	Profile Code	Weight		
	70-11828-11825	1,930	51,62	36,06



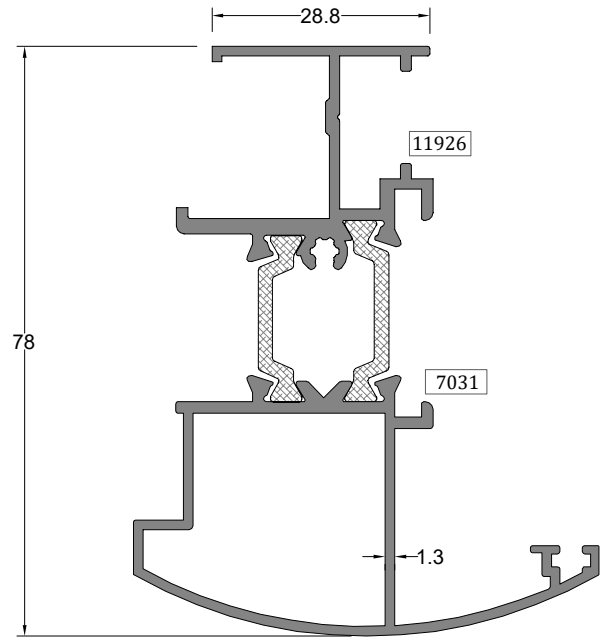
Adaptör Profili	Profil Kodu	(kg/mt)
ADAPTER PROFILE	Profile Code	Weight
	70-11926-11827	1,280



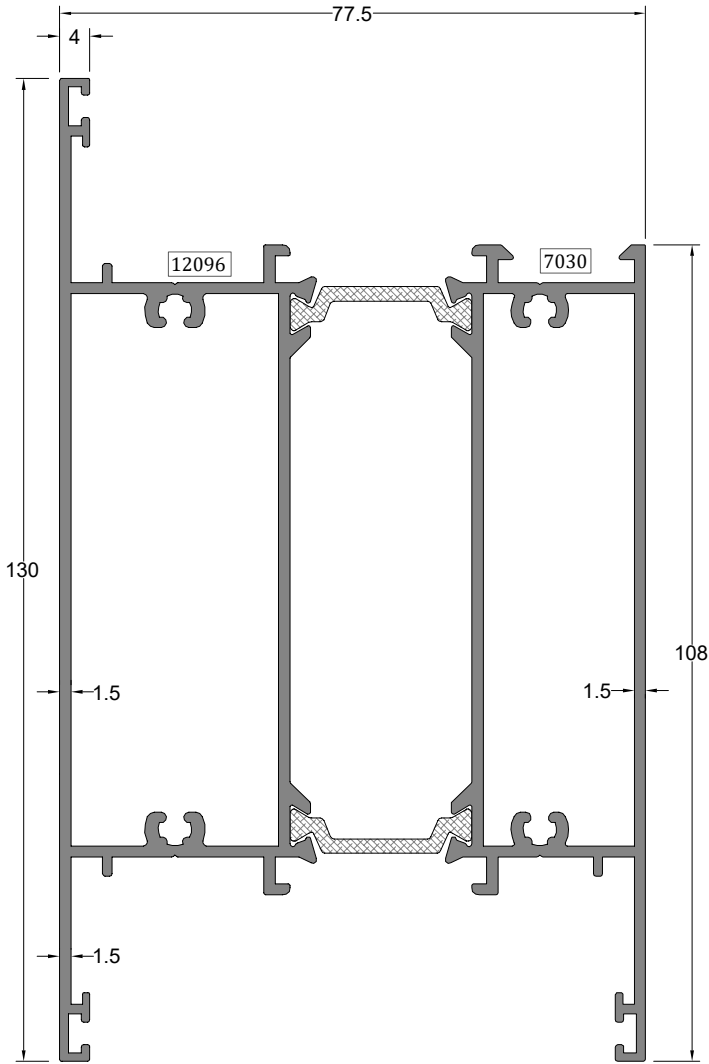
Adaptör Profili	Profil Kodu	(kg/mt)
ADAPTER PROFILE	Profile Code	Weight
	70-11927-11827	1,290



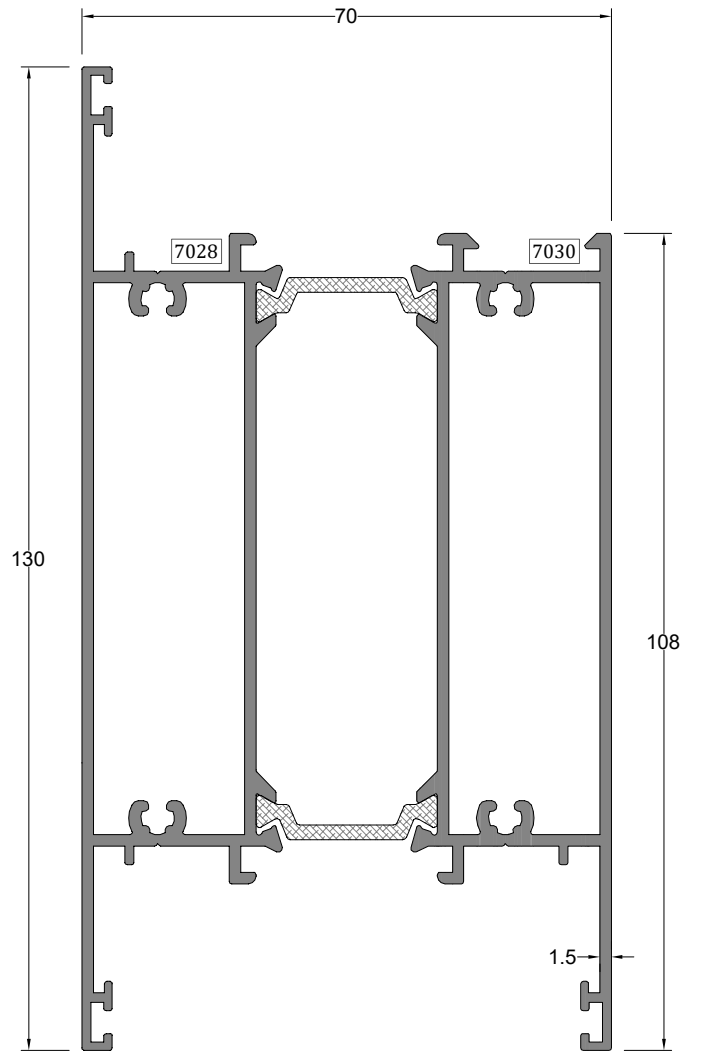
Adaptör Profili	Profil Kodu	(kg/mt)
ADAPTER PROFILE	Profile Code	Weight
	70-11927-7031	1,349



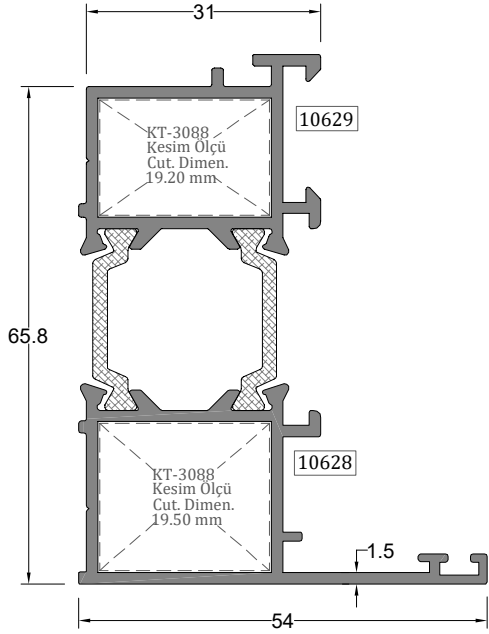
Adaptör Profili	Profil Kodu	(kg/mt)
ADAPTER PROFILE	Profile Code	Weight
	70-11926-7031	1,340



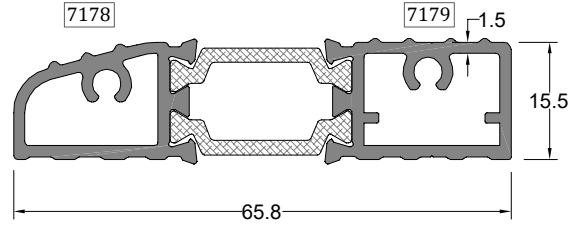
Etek Profili	Profil Kodu	(kg/mt)
BOTTOM PROFILE	Profile Code	Weight
	70-12096-7030	2,697



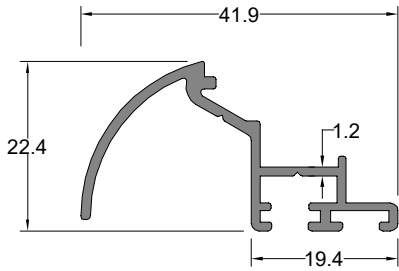
Etek Profili	Profil Kodu	(kg/mt)
BOTTOM PROFILE	Profile Code	Weight
	70-7030-7028	2,647



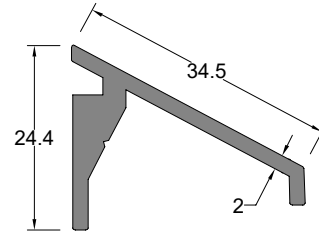
Dışa Açılır Adaptör Profili	Profil Kodu	(kg/mt)
OUTWARD OPENING ADAPTER PROFILE	Profile Code	Weight
	70-10629-10628	1,304



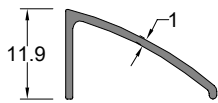
Kapı Altı Eşik Profili	Profil Kodu	(kg/mt)
DOOR THRESHOLD PROFILE	Profile Code	Weight
	70-7178-7179	1,019



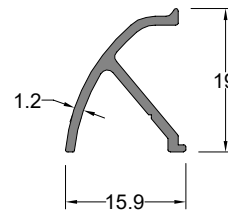
Damlalık Profili	Profil Kodu	(kg/mt)
SILL PROFILE	Profile Code	Weight
	12375	0,326



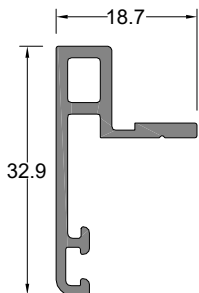
Damlalık Profili	Profil Kodu	(kg/mt)
SILL PROFILE	Profile Code	Weight
	1011	0,402



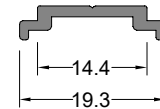
Damlalık Profili	Profil Kodu	(kg/mt)
SILL PROFILE	Profile Code	Weight
	4242	0,094



Damlalık Profili	Profil Kodu	(kg/mt)
SILL PROFILE	Profile Code	Weight
	7021	0,140

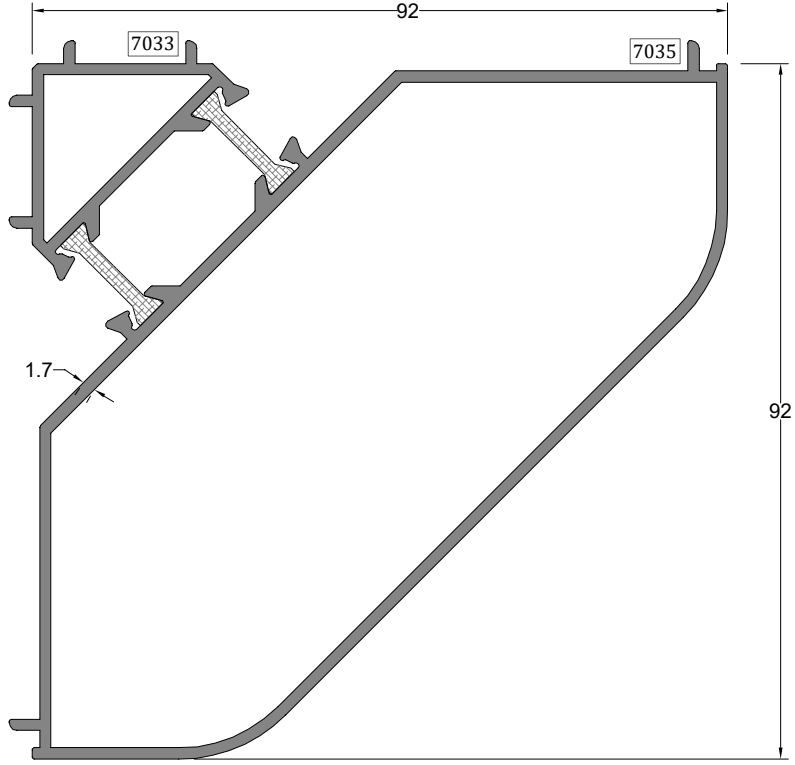


Kanat Altı Kapama Profili	Profil Kodu	(kg/mt)
SUB-SASH COVER PROFILE	Profile Code	Weight
	10923	0,295

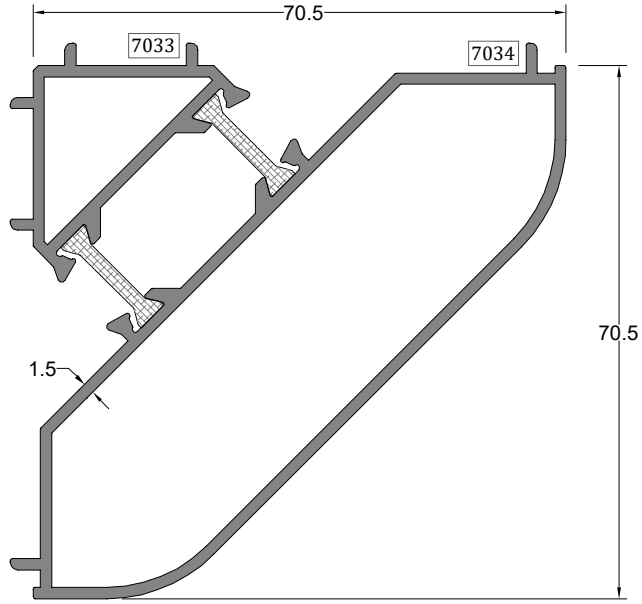


Tij Profili	Profil Kodu	(kg/mt)
STEM BAR PROFILE	Profile Code	Weight
	8241	0,099

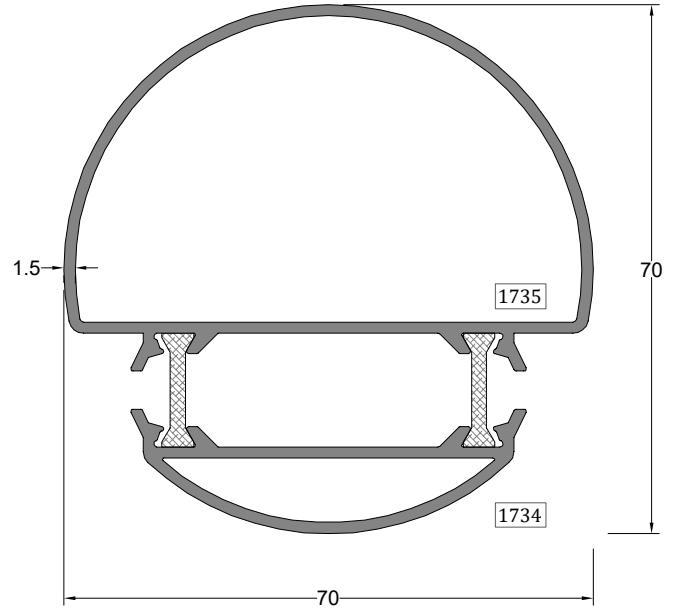
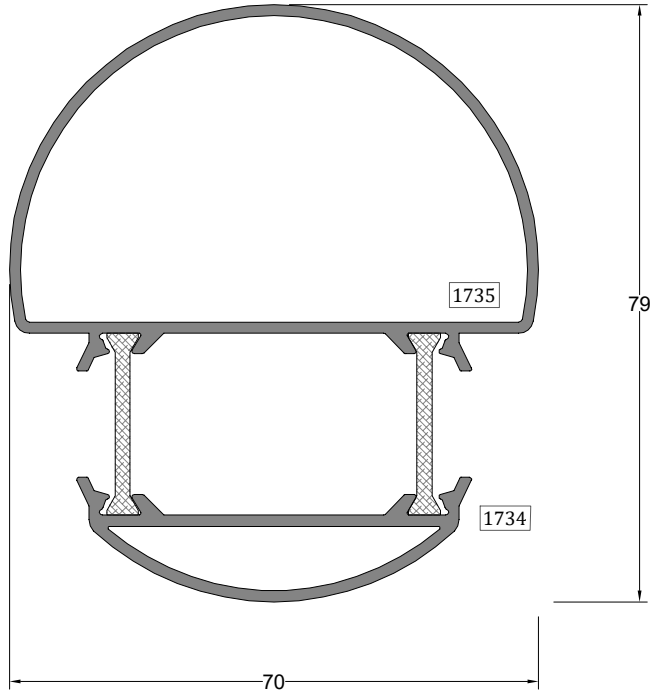
** Her profil için minimum sipariş 300 kg'dır.
** Minimum order quantity is 300 kg per profile.



Köşe Dönüş Profili CORNER PROFILE	Profil Kodu Profile Code	(kg/mt) Weight	Jx cm ⁴	Jy cm ⁴
	70-7033-7035	1,894	62,35	62,35



Köşe Dönüş Profili CORNER PROFILE	Profil Kodu Profile Code	(kg/mt) Weight	Jx cm ⁴	Jy cm ⁴
	55-7033-7034	1,531	26,72	26,72

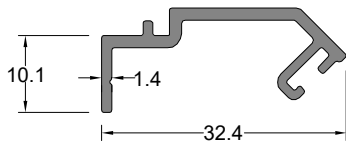


Köşe Dönüş Profili	Profil Kodu	(kg/mt)	Jx cm ⁴	Jy cm ⁴
CORNER PROFILE	Profile Code	Weight		
	55-1734-1735	1,465	22,53	21,83

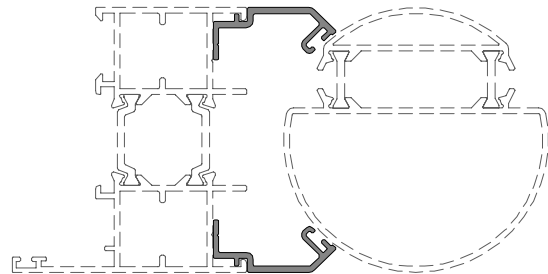
★ 70-7000-7001, 70-7004-7005, 6880-6879 nolu profiller çalışmaktadır.
Works with profiles 70-7000-7001, 70-7004-7005, 6880-6879.

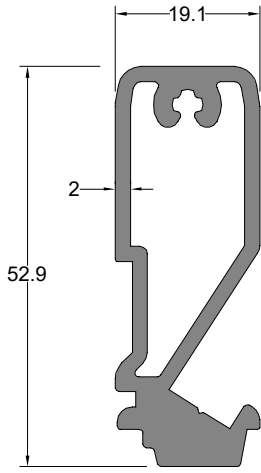
Köşe Dönüş Profili	Profil Kodu	(kg/mt)	Jx cm ⁴	Jy cm ⁴
CORNER PROFILE	Profile Code	Weight		
	70-1734-1735	1,481	32,51	26,21

★ 70-7000-7002, 70-7004-7006 nolu profiller ile çalışmaktadır.
Works with profiles 70-7000-7002, 70-7004-7006.



Adaptör Profili	Profil Kodu	(kg/mt)
ADAPTER PROFILE	Profile Code	Weight
	7180	0,244

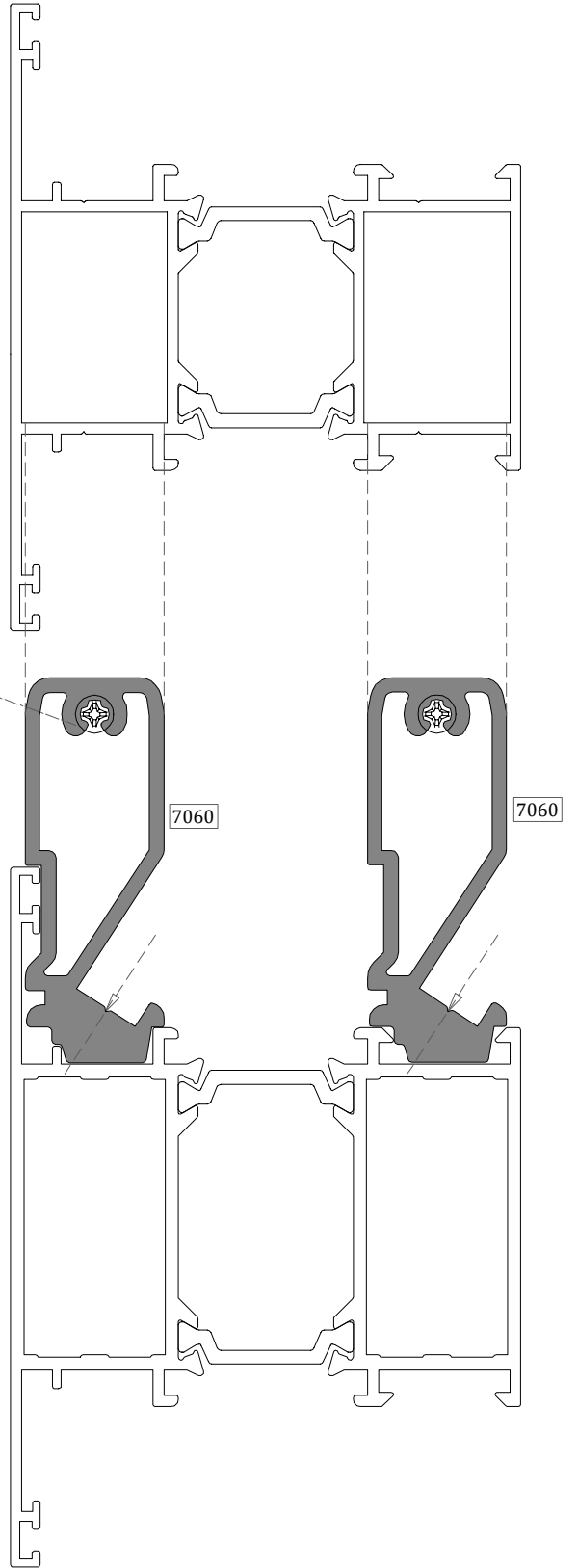




Orta Kayıt Bağlantı Profili
MULLION CONNECTION PROFILE

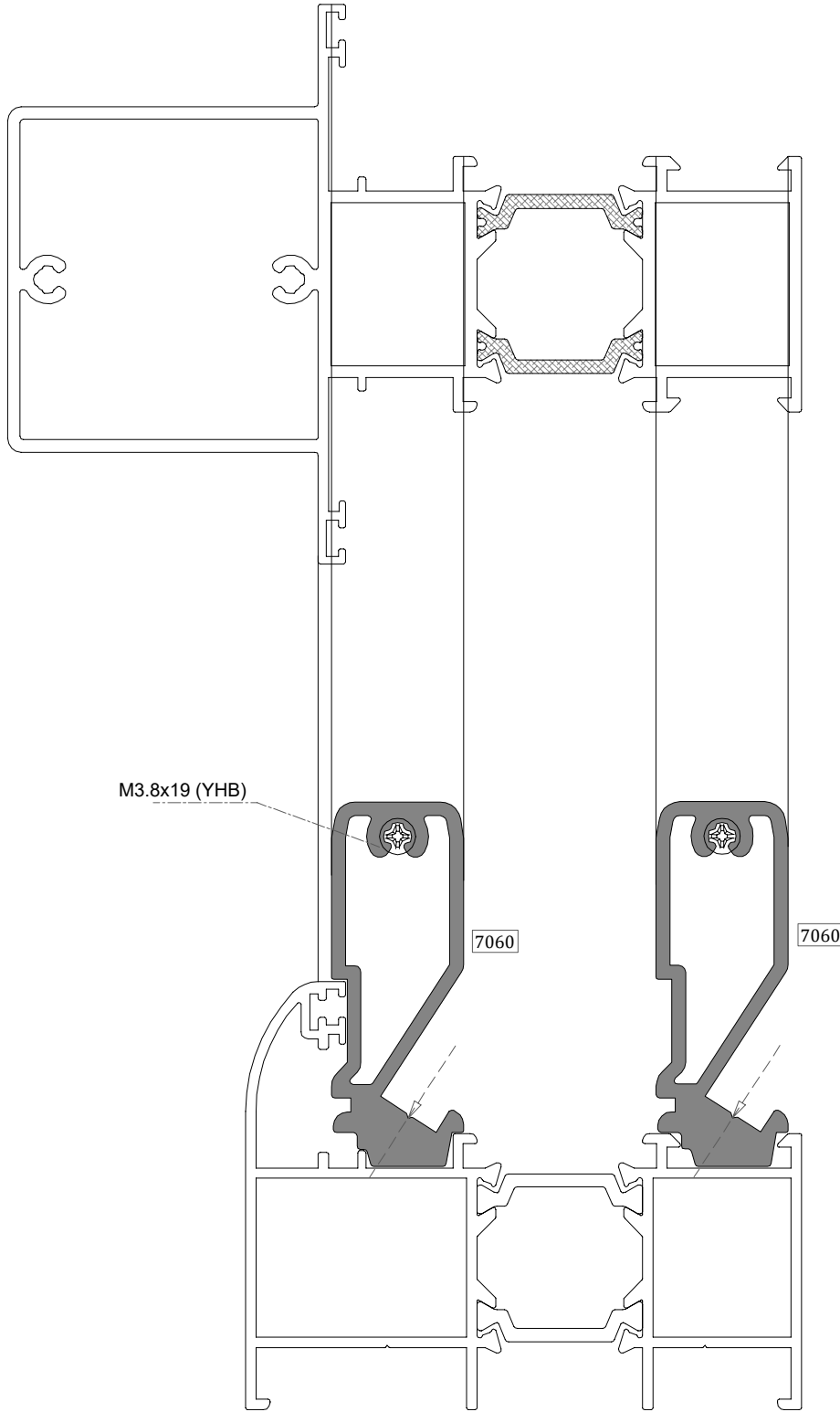
Profil Kodu Profile Code	(kg/mt) Weight
7060	1.007

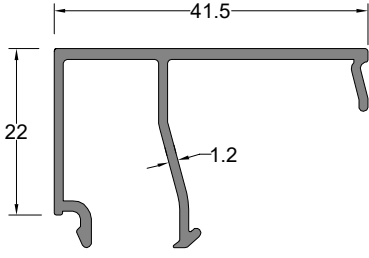
M3.8x19 (YHB)



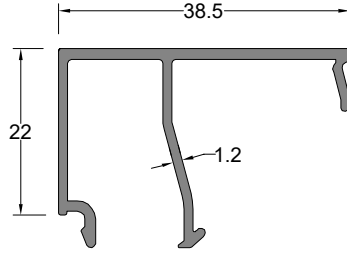
Orta Kayıt Bağlantı Profil Kodu Mullion Connection Profile Code	Stok Kodu Reference Code	Kullanıldığı Profil Compatible Profile	Kesim Boyu (mm) Cutting Length (mm)
7060	OKB-7060-225	7047-7046	22,50 mm
	OKB-7060-230	8764-8763	23,00 mm
	OKB-7060-285	7045-7044	28,50 mm
	OKB-7060-373	7057-7056	37,30 mm
	OKB-7060-215	8764-7175	21,50 mm

** Her profil için minimum sipariş 300 kg'dır.
** Minimum order quantity is 300 kg per profile.

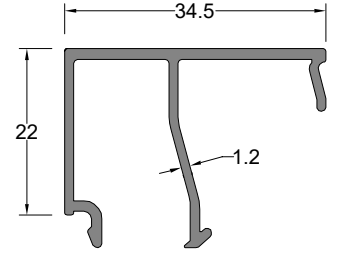




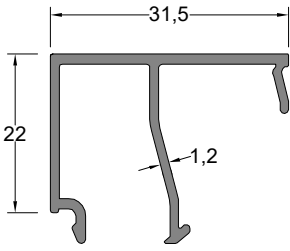
Cam Çıtası	Profil Kodu	(kg/mt)
GLAZING BEAD	Profile Code	Weight
	3537	0,367



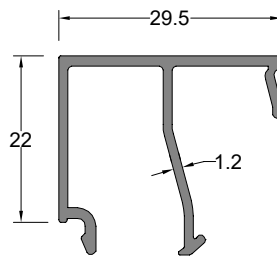
Cam Çıtası	Profil Kodu	(kg/mt)
GLAZING BEAD	Profile Code	Weight
	1749	0,356



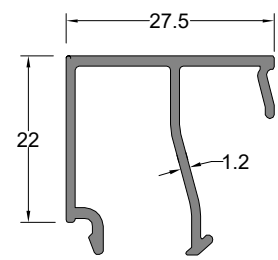
Cam Çıtası	Profil Kodu	(kg/mt)
GLAZING BEAD	Profile Code	Weight
	1747	0,340



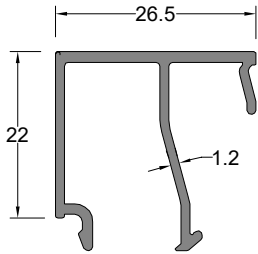
Cam Çıtası	Profil Kodu	(kg/mt)
GLAZING BEAD	Profile Code	Weight
	3536	0,329



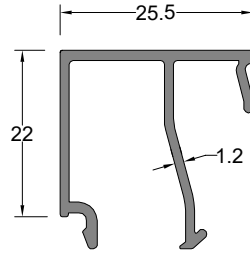
Cam Çıtası	Profil Kodu	(kg/mt)
GLAZING BEAD	Profile Code	Weight
	3636	0,321



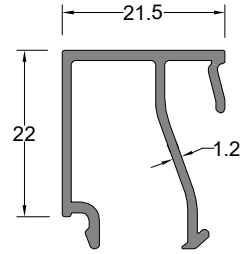
Cam Çıtası	Profil Kodu	(kg/mt)
GLAZING BEAD	Profile Code	Weight
	1966	0,314



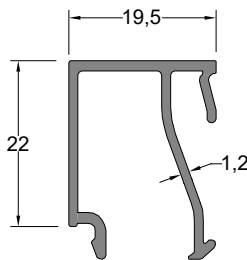
Cam Çıtası	Profil Kodu	(kg/mt)
GLAZING BEAD	Profile Code	Weight
	2236	0,310



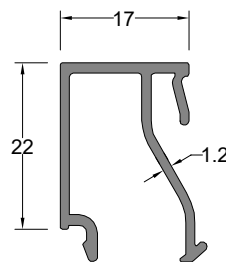
Cam Çıtası	Profil Kodu	(kg/mt)
GLAZING BEAD	Profile Code	Weight
	1949	0,306



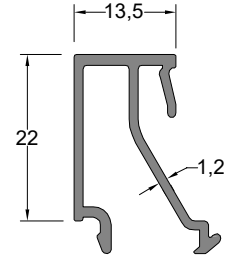
Cam Çıtası	Profil Kodu	(kg/mt)
GLAZING BEAD	Profile Code	Weight
	1745	0,292



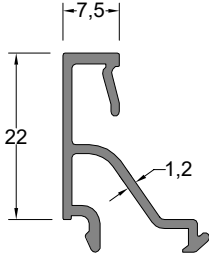
Cam Çıtası	Profil Kodu	(kg/mt)
GLAZING BEAD	Profile Code	Weight
	1699	0,285



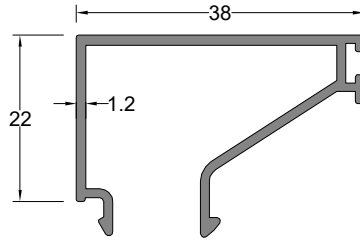
Cam Çıtası	Profil Kodu	(kg/mt)
GLAZING BEAD	Profile Code	Weight
	3539	0,277



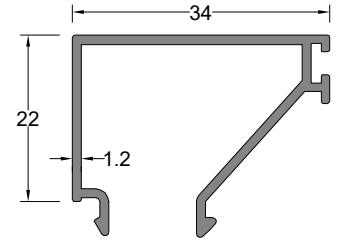
Cam Çıtası	Profil Kodu	(kg/mt)
GLAZING BEAD	Profile Code	Weight
	1698	0,270



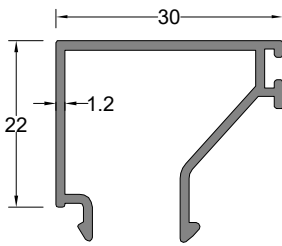
Cam Çıtası	Profil Kodu	(kg/mt)
GLAZING BEAD	Profile Code	Weight
	1948	0,235



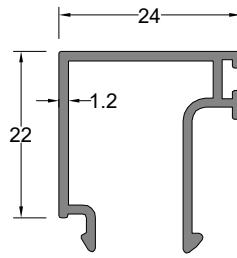
Cam Çıtası	Profil Kodu	(kg/mt)
GLAZING BEAD	Profile Code	Weight
	7043	0,336



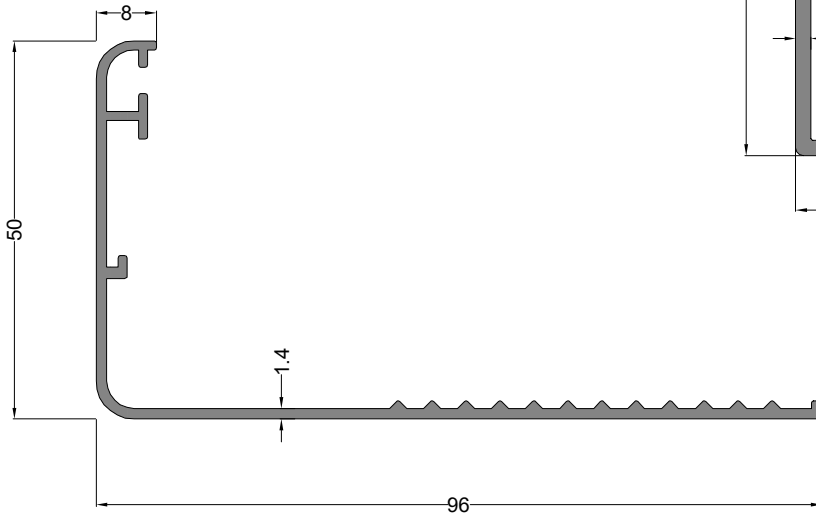
Cam Çıtası	Profil Kodu	(kg/mt)
GLAZING BEAD	Profile Code	Weight
	676	0,331



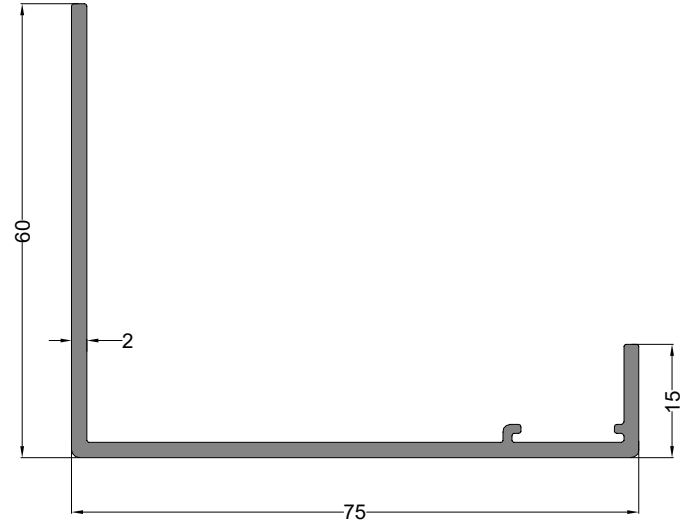
Cam Çıtası	Profil Kodu	(kg/mt)
GLAZING BEAD	Profile Code	Weight
	7036	0,319



Cam Çıtası	Profil Kodu	(kg/mt)
GLAZING BEAD	Profile Code	Weight
	7023	0,294

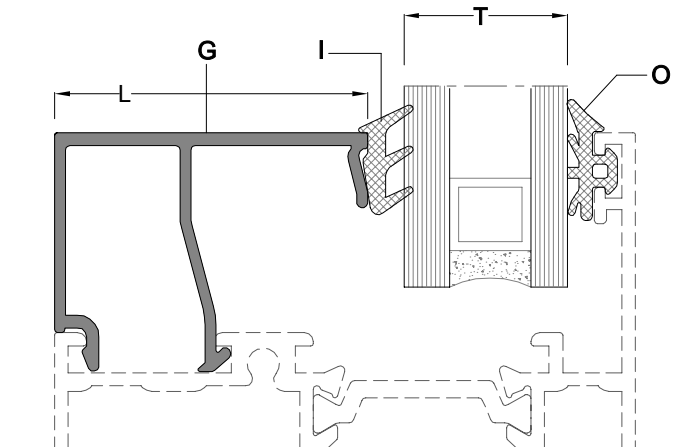


Pervaz Profili	Profil Kodu	(kg/mt)
SILL PROFILE	Profile Code	Weight
	553	0,656

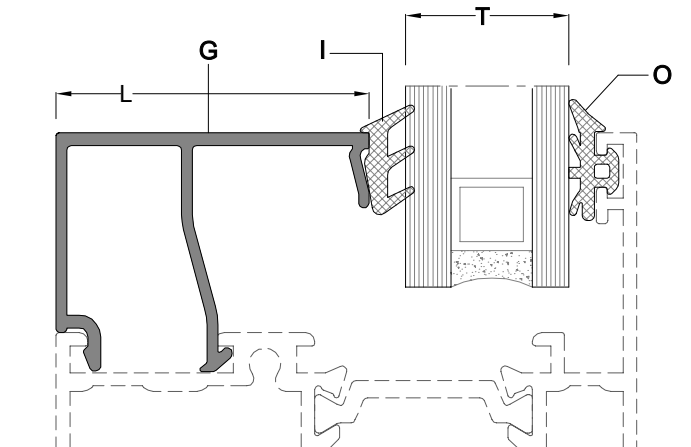


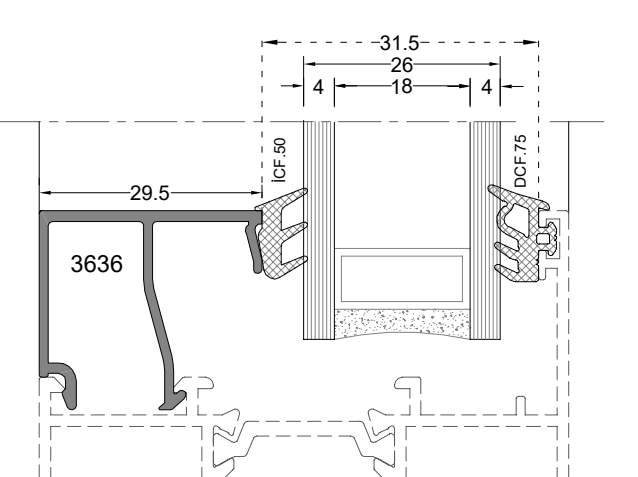
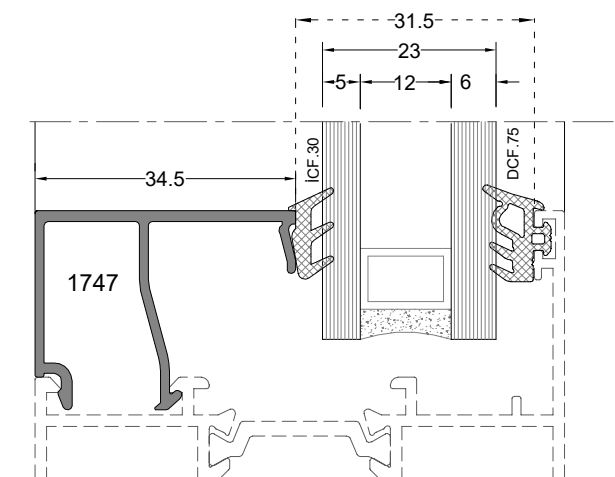
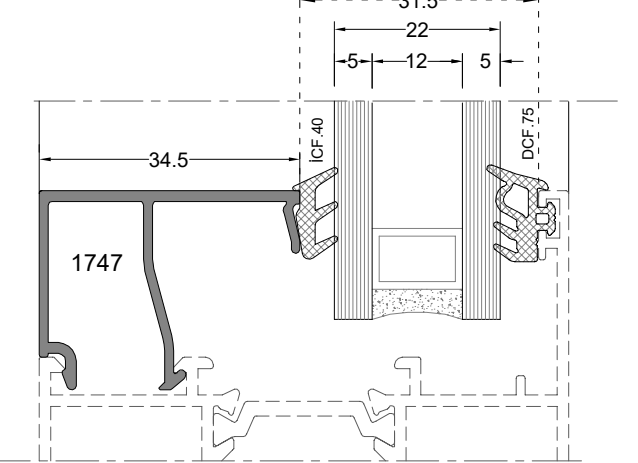
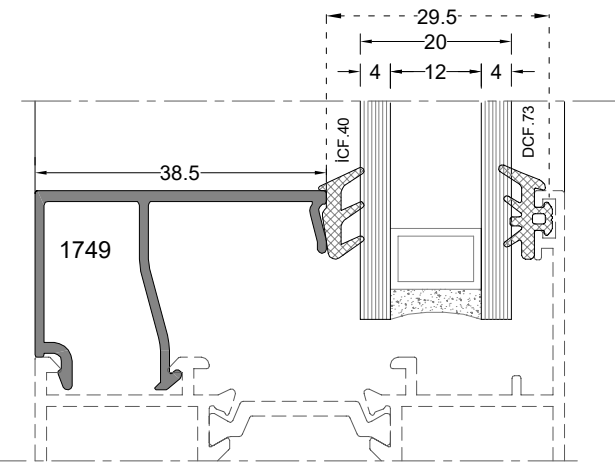
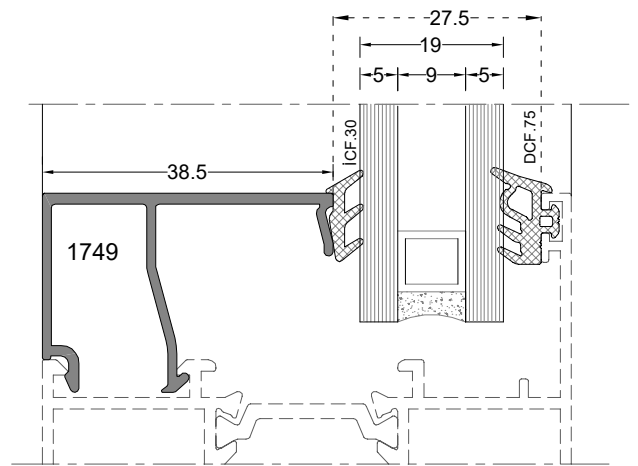
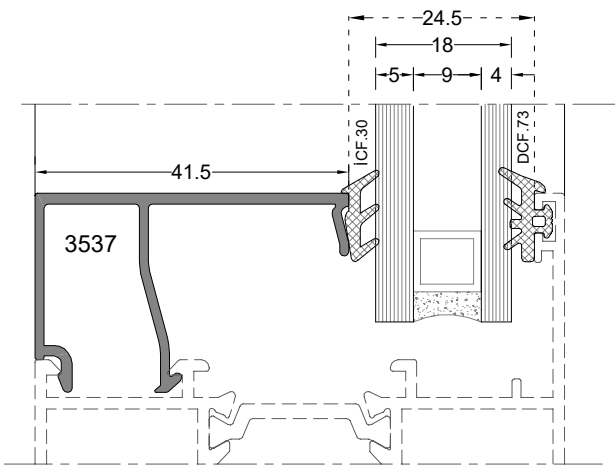
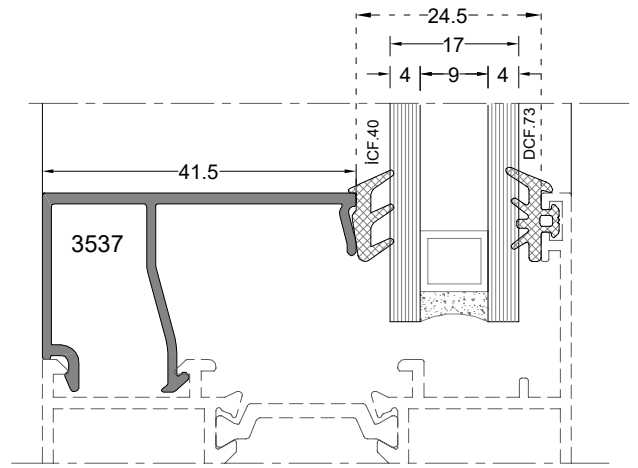
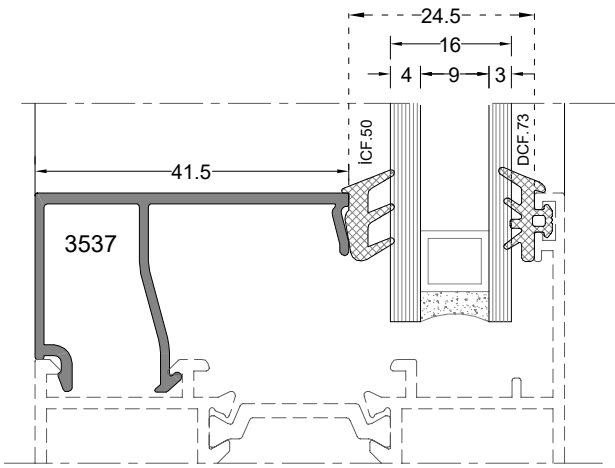
Pervaz Profili	Profil Kodu	(kg/mt)
SILL PROFILE	Profile Code	Weight
	10012	0,805

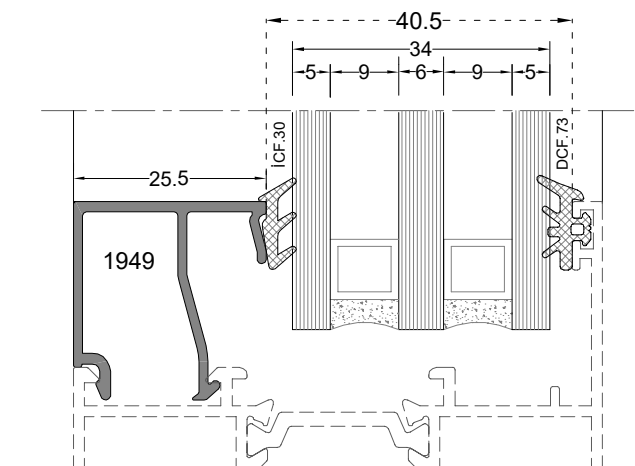
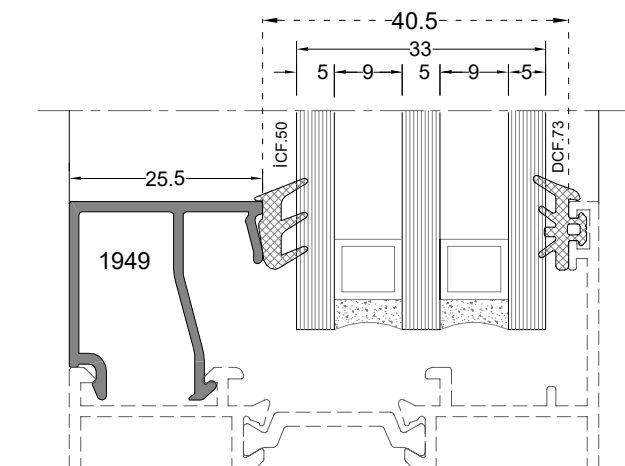
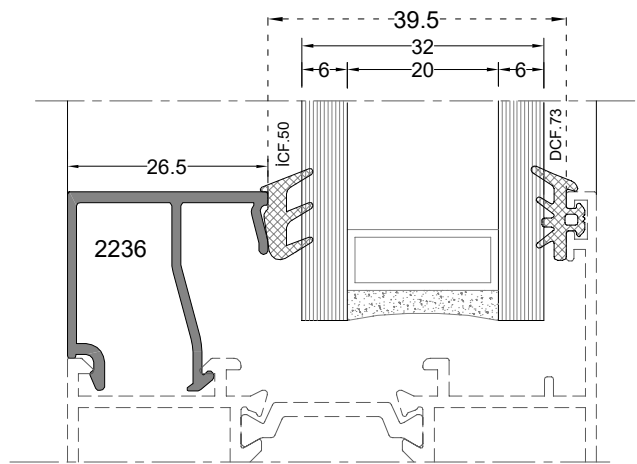
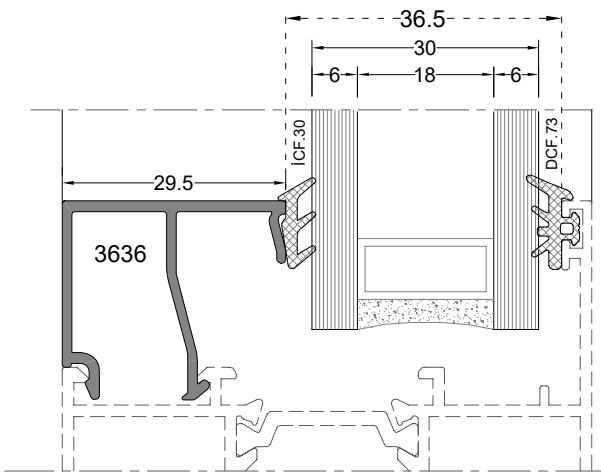
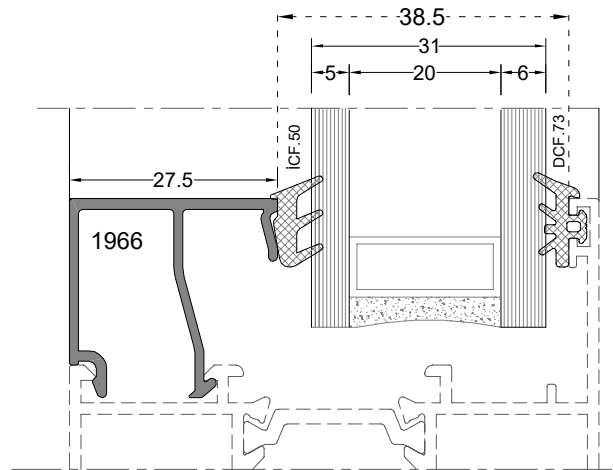
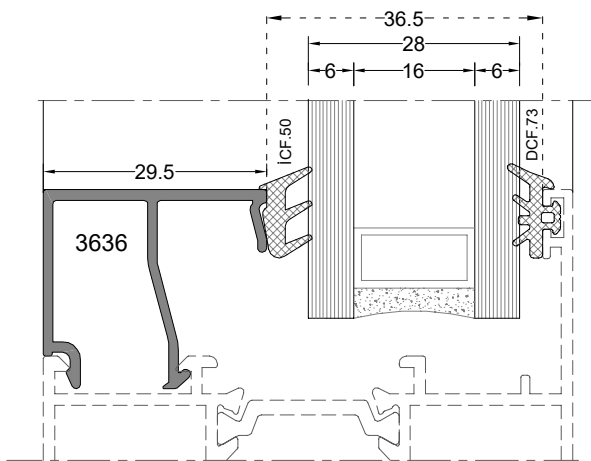
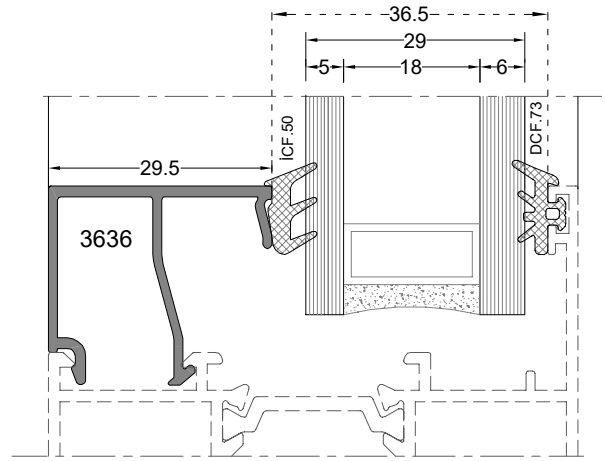
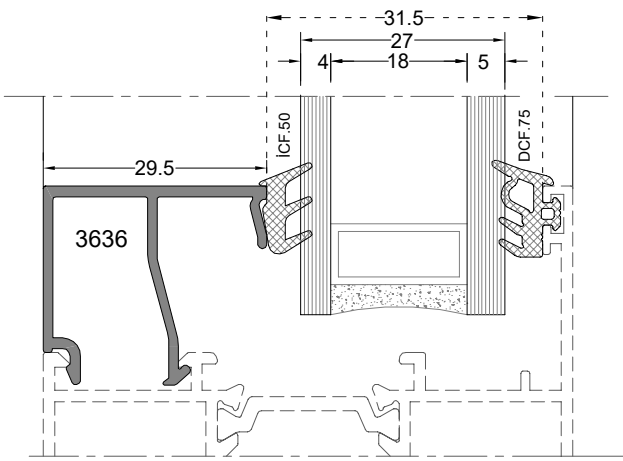
CAM ÇITASI GLAZING BEAD	CAM ÇITASI UZUNLUĞU GLAZING BEAD LENGTH	İÇ CAM FİTİLİ GLAZING GASKET(inside)	CAM KALINLIĞI GLASS THICKNESS	DIŞ CAM FİTİLİ GLAZING GASKET(outside)
(G)	(L)	(I)	(T)	(O)
3537	41,5 mm	İCF.50	16 mm	DCF.73
3537	41,5 mm	İCF.40	17 mm	DCF.73
3537	41,5 mm	İCF.30	18 mm	DCF.73
1749	38,5 mm	İCF.30	19 mm	DCF.75
1749	38,5 mm	İCF.40	20 mm	DCF.73
1747	34,5 mm	İCF.40	22 mm	DCF.75
1747	34,5 mm	İCF.30	23 mm	DCF.75
1748	34,5 mm	İCF.50	26 mm	DCF.75
3636	29,5 mm	İCF.40	27 mm	DCF.75
3636	29,5 mm	İCF.50	28 mm	DCF.73
3636	29,5 mm	İCF.50	29 mm	DCF.73
3636	29,5 mm	İCF.30	30 mm	DCF.73
1966	27,5 mm	İCF.40	31 mm	DCF.73
2236	26,5 mm	İCF.40	32 mm	DCF.73
1949	25,5 mm	İCF.40	33 mm	DCF.73
1949	25,5 mm	İCF.30	34 mm	DCF.73
1745	21,5 mm	İCF.40	35 mm	DCF.75
1745	21,5 mm	İCF.50	36 mm	DCF.73
1745	21,5 mm	İCF.40	37 mm	DCF.73
1745	21,5 mm	İCF.30	38 mm	DCF.73
1699	19,5 mm	İCF.40	39 mm	DCF.73

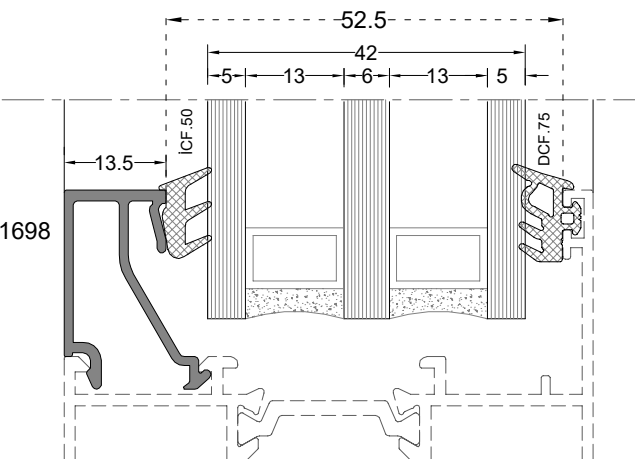
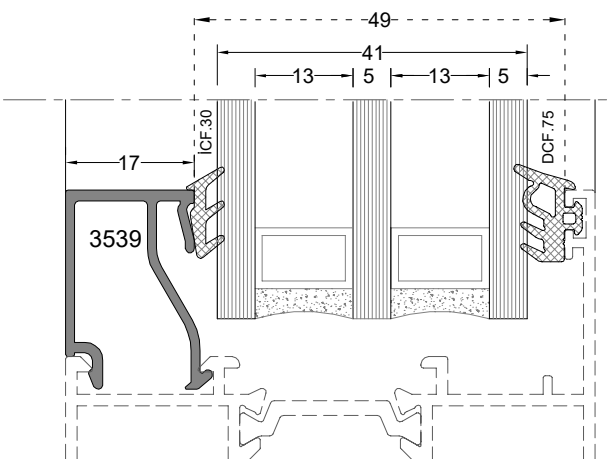
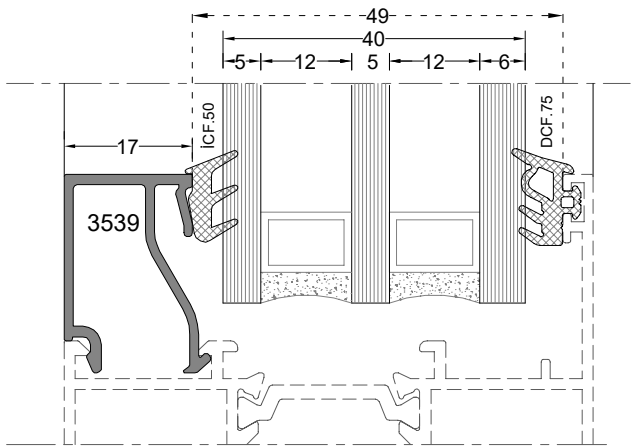
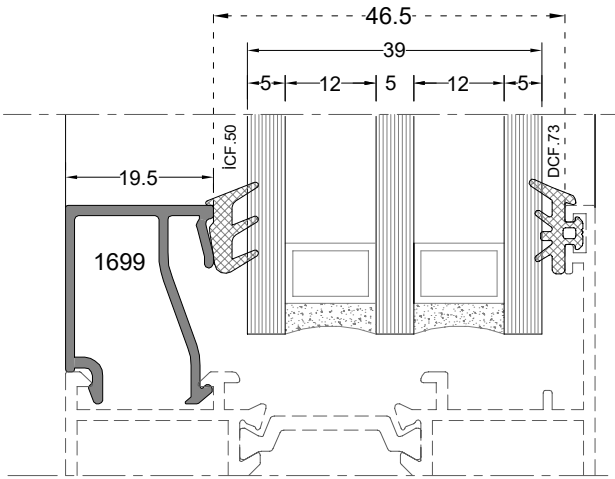
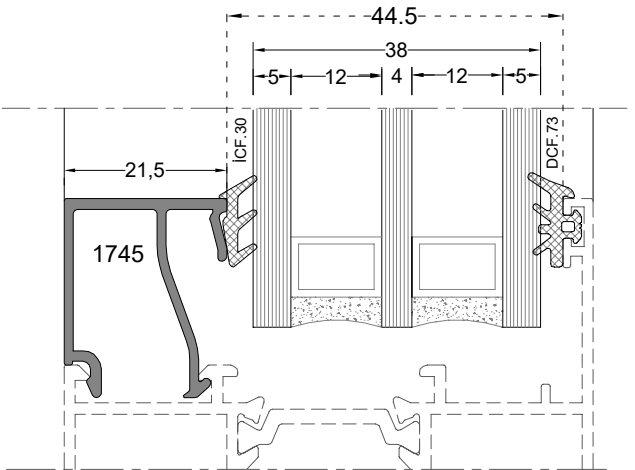
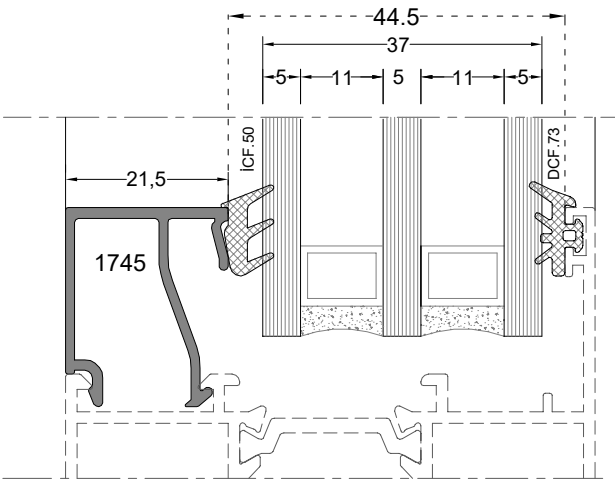
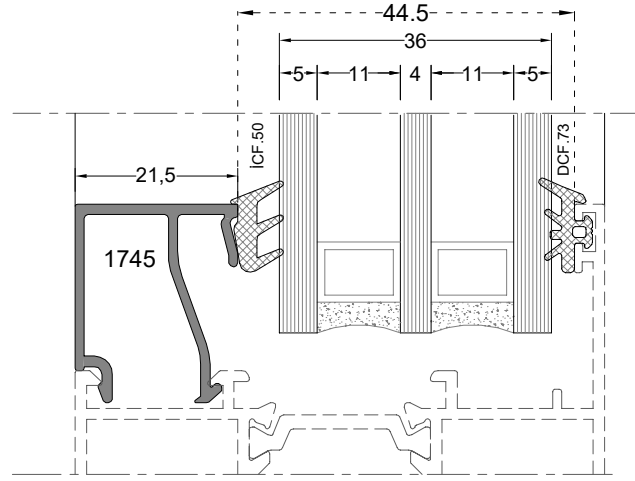
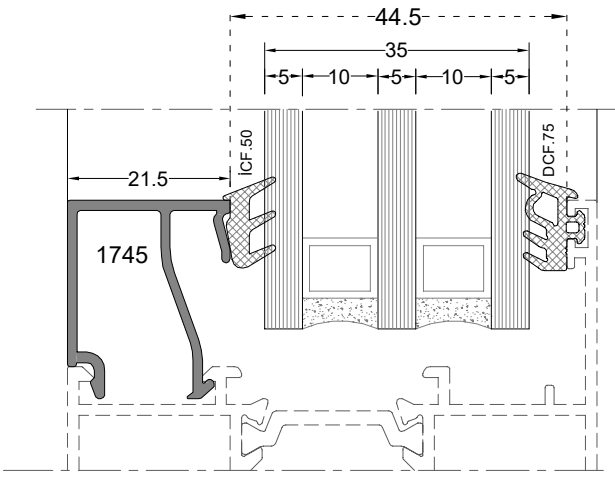


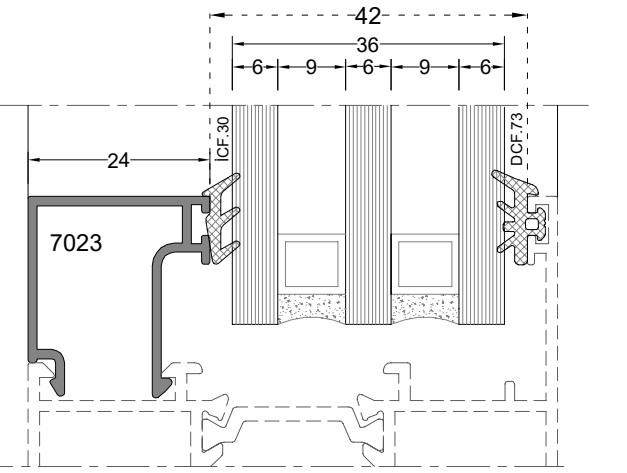
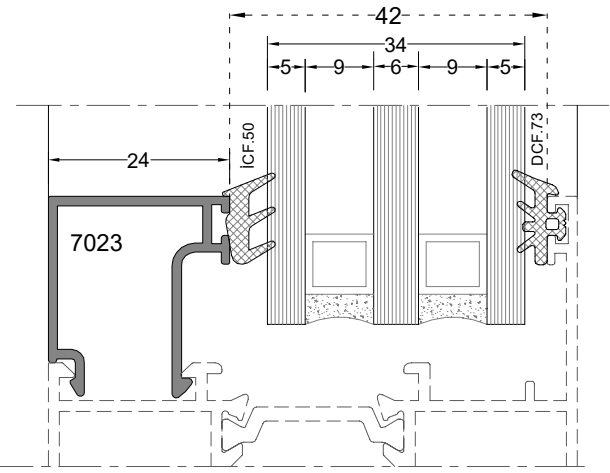
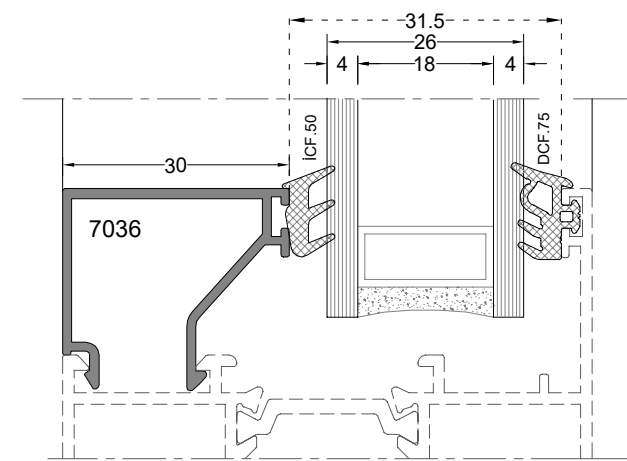
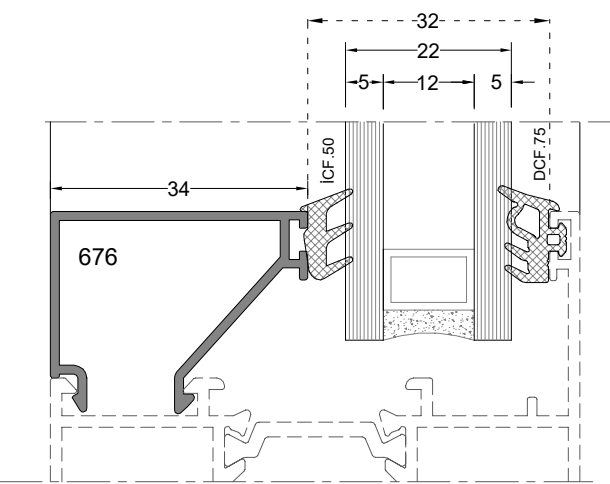
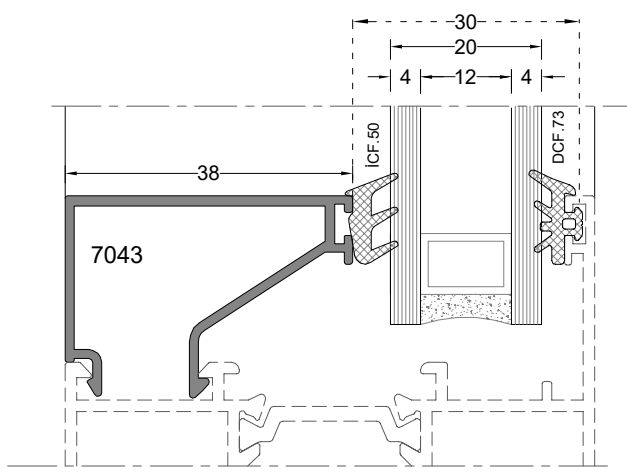
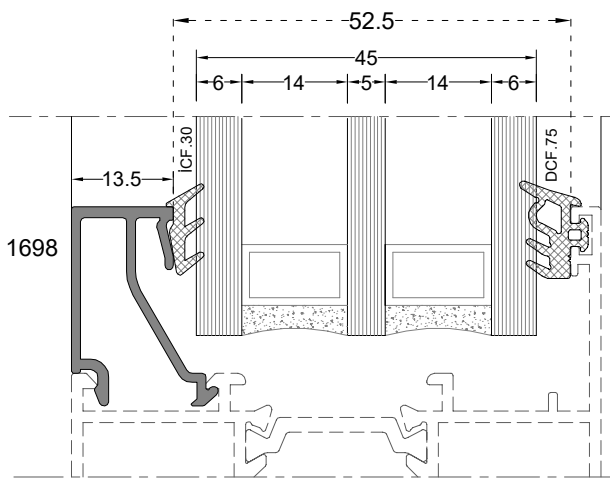
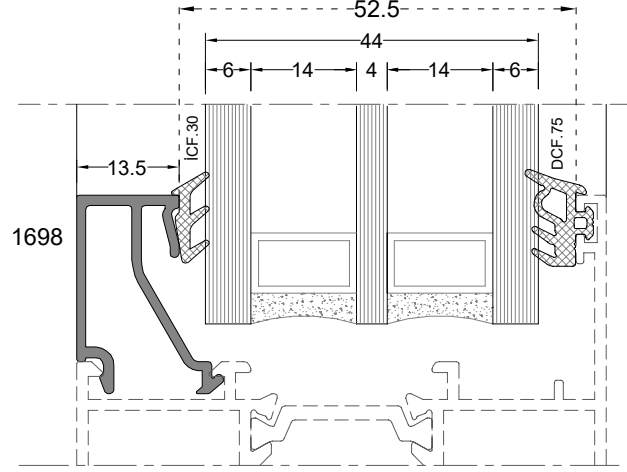
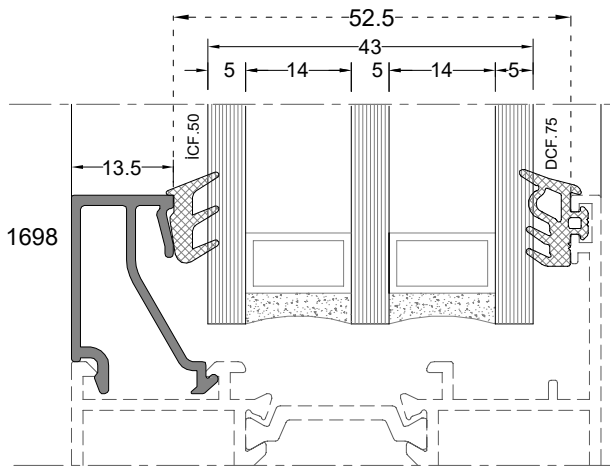
CAM ÇITASI GLAZING BEAD (G)	CAM ÇITASI UZUNLUĞU GLAZING BEAD LENGTH (L)	İÇ CAM FİTİLİ GLAZING GASKET(inside) (I)	CAM KALINLIĞI GLASS THICKNESS (T)	DIŞ CAM FİTİLİ GLAZING GASKET(outside) (O)
3539	17,5 mm	İCF.40	40 mm	DCF.75
3539	17,5 mm	İCF.30	41 mm	DCF.75
1698	13,5 mm	İCF.50	42 mm	DCF.75
1698	13,5 mm	İCF.40	43 mm	DCF.75
1698	13,5 mm	İCF.30	44 mm	DCF.75
1698	13,5 mm	İCF.30	45 mm	DCF.75
7043	38 mm	İCF.50	20 mm	DCF.73
676	34 mm	İCF.50	22 mm	DCF.75
7036	30 mm	İCF.50	26 mm	DCF.75
7023	24 mm	İCF.50	34 mm	DCF.73
7023	24 mm	İCF.30	36 mm	DCF.73

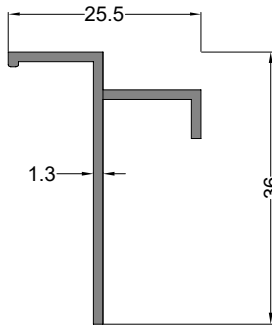




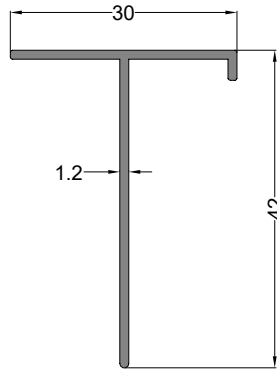




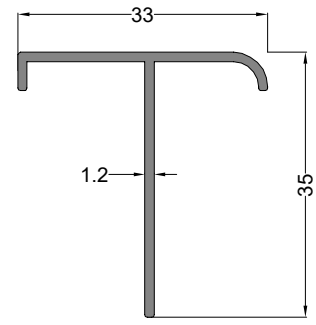




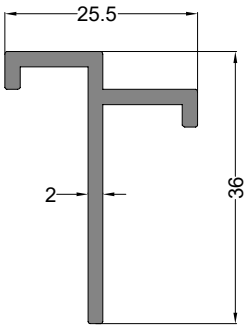
T Bağlantı Profili	Profil Kodu	(kg/mt)
T CONNECTION PROFILE	Profile Code	Weight
	1121	0,233



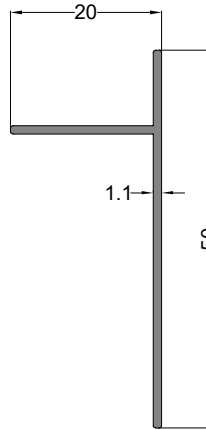
T Bağlantı Profili	Profil Kodu	(kg/mt)
T CONNECTION PROFILE	Profile Code	Weight
	1035	0,240



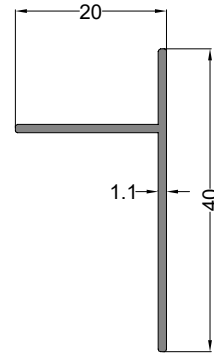
T Bağlantı Profili	Profil Kodu	(kg/mt)
T CONNECTION PROFILE	Profile Code	Weight
	1139	0,236



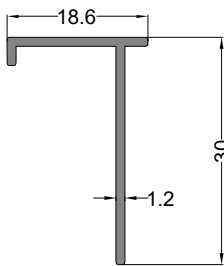
T Bağlantı Profili	Profil Kodu	(kg/mt)
T CONNECTION PROFILE	Profile Code	Weight
	1123	0,355



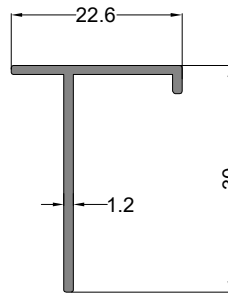
T Bağlantı Profili	Profil Kodu	(kg/mt)
T CONNECTION PROFILE	Profile Code	Weight
	5788	0,205



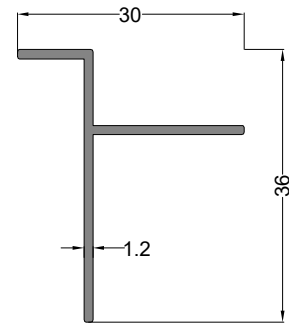
T Bağlantı Profili	Profil Kodu	(kg/mt)
T CONNECTION PROFILE	Profile Code	Weight
	6414	0,175



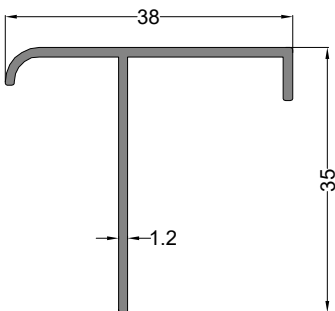
T Bağlantı Profili	Profil Kodu	(kg/mt)
T CONNECTION PROFILE	Profile Code	Weight
	3917	0,162



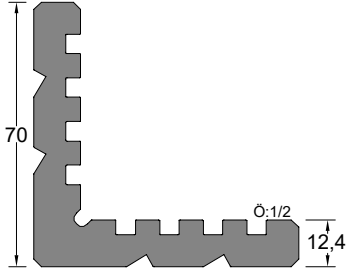
T Bağlantı Profili	Profil Kodu	(kg/mt)
T CONNECTION PROFILE	Profile Code	Weight
	3832	0,175



T Bağlantı Profili	Profil Kodu	(kg/mt)
T CONNECTION PROFILE	Profile Code	Weight
	3818	0,210

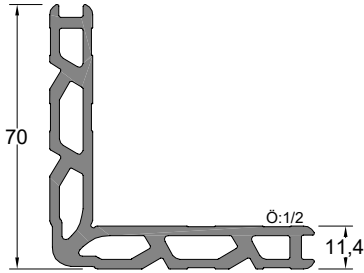


T Bağlantı Profili	Profil Kodu	(kg/mt)
T CONNECTION PROFILE	Profile Code	Weight
	7039	0,260



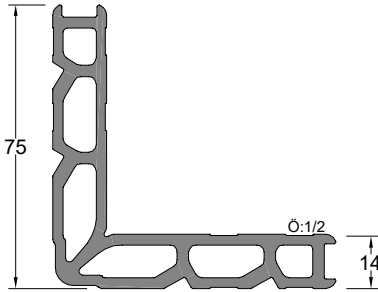
Köşe Takoz Profili CORNER WEDGE PROFILE	Profil Kodu Profile Code	(kg/mt) Weight
	413	3,667

Köşe Takozu Profil Kodu Corner Wedge Profile Code	Kullanıldığı Profil Compatible Profile	Kesim Boyu (mm) Cutting Length (mm)
413	7009	12,00 mm
	7016	26,50 mm



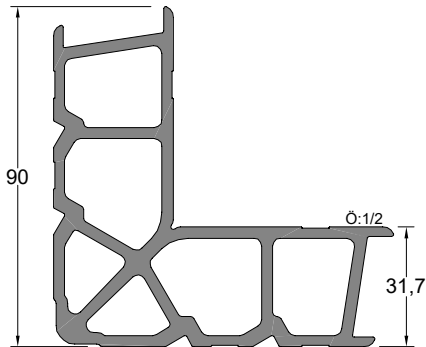
Köşe Takoz Profili CORNER WEDGE PROFILE	Profil Kodu Profile Code	(kg/mt) Weight
	5022	2,245

Köşe Takozu Profil Kodu Corner Wedge Profile Code	Kullanıldığı Profil Compatible Profile	Kesim Boyu (mm) Cutting Length (mm)
5022	7008	26,50 mm



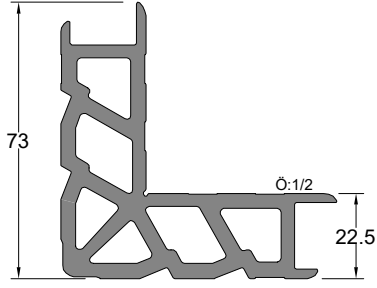
Köşe Takoz Profili CORNER WEDGE PROFILE	Profil Kodu Profile Code	(kg/mt) Weight
	1662	2,576

Köşe Takozu Profil Kodu Corner Wedge Profile Code	Kullanıldığı Profil Compatible Profile	Kesim Boyu (mm) Cutting Length (mm)
1662	7018	27,00 mm
	7058	26,40 mm



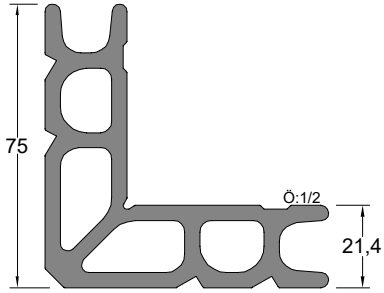
Köşe Takoz Profili CORNER WEDGE PROFILE	Profil Kodu Profile Code	(kg/mt) Weight
	7022	3,952

Köşe Takozu Profil Kodu Corner Wedge Profile Code	Kullanıldığı Profil Compatible Profile	Kesim Boyu (mm) Cutting Length (mm)
7022	7042	12,00 mm



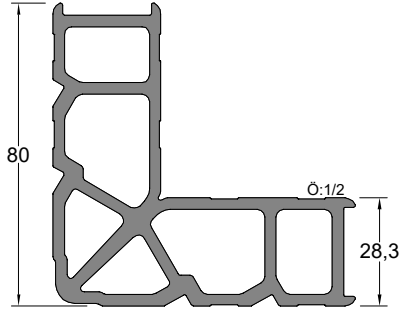
Köşe Takoz Profili CORNER WEDGE PROFILE	Profil Kodu Profile Code	(kg/mt) Weight
	3088	2,608

Köşe Takozu Profil Kodu Corner Wedge Profile Code	Kullanıldığı Profil Compatible Profile	Kesim Boyu (mm) Cutting Length (mm)
3088	7004,7005,7038	19,50 mm
	7054	18,50 mm
	7006	30,00 mm
	7007	41,00 mm
	7055,7046	29,00 mm
	7017	27,00 mm
	7011,11824	12,00 mm
	7047	18,50 mm
6880,6879	19,00 mm	



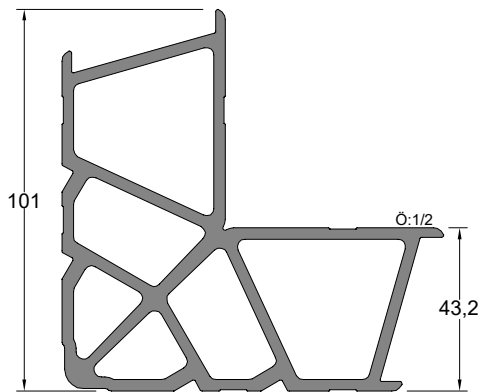
Köşe Takoz Profili CORNER WEDGE PROFILE	Profil Kodu Profile Code	(kg/mt) Weight
	1661	3,629

Köşe Takozu Profil Kodu Corner Wedge Profile Code	Kullanıldığı Profil Compatible Profile	Kesim Boyu (mm) Cutting Length (mm)
1661	7048	26,00 mm
	7049	11,00 mm
	7059	11,40 mm



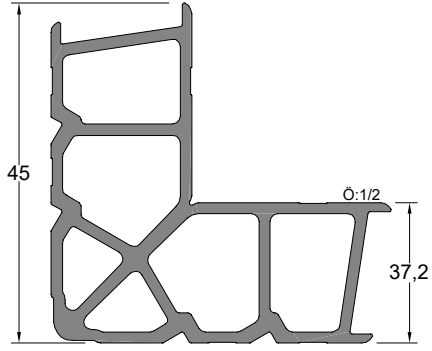
Köşe Takoz Profili CORNER WEDGE PROFILE	Profil Kodu Profile Code	(kg/mt) Weight
	1663	3,526

Köşe Takozu Profil Kodu Corner Wedge Profile Code	Kullanıldığı Profil Compatible Profile	Kesim Boyu (mm) Cutting Length (mm)
1663	7044	19,50 mm
	7045	19,50 mm



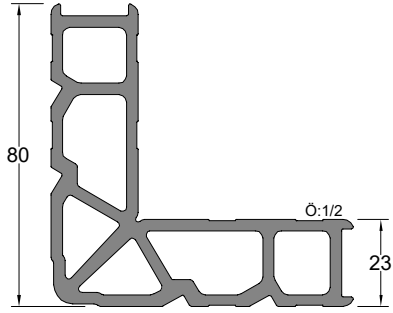
Köşe Takoz Profili CORNER WEDGE PROFILE	Profil Kodu Profile Code	(kg/mt) Weight
	3698	4,241

Köşe Takozu Profil Kodu Corner Wedge Profile Code	Kullanıldığı Profil Compatible Profile	Kesim Boyu (mm) Cutting Length (mm)
3698	7013,7015,11825	12,00 mm
	7012,7014	26,50 mm
	11826	27,00 mm



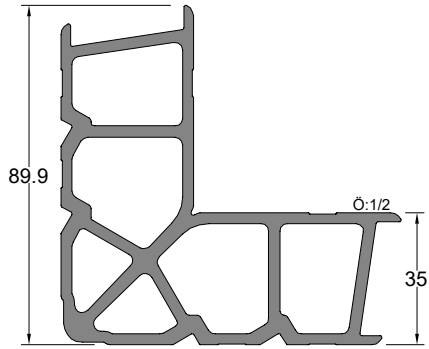
Köşe Takoz Profili CORNER WEDGE PROFILE	Profil Kodu Profile Code	(kg/mt) Weight
	1664	3,991

Köşe Takozu Profil Kodu Corner Wedge Profile Code	Kullanıldığı Profil Compatible Profile	Kesim Boyu (mm) Cutting Length (mm)
1664	7056,7057	18,90 mm



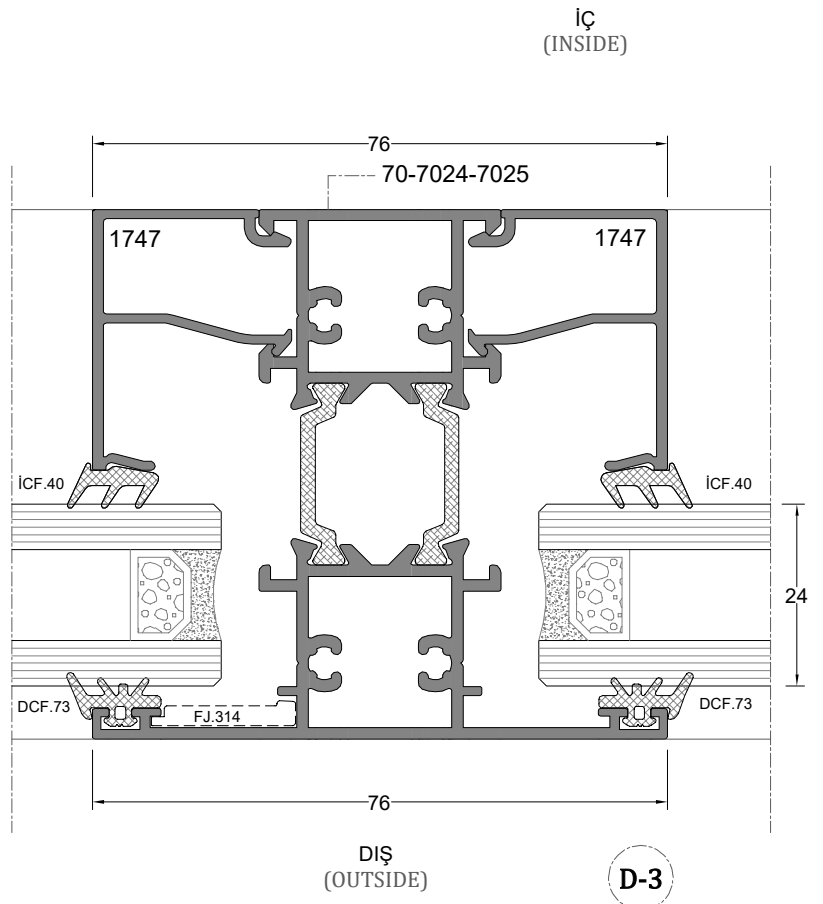
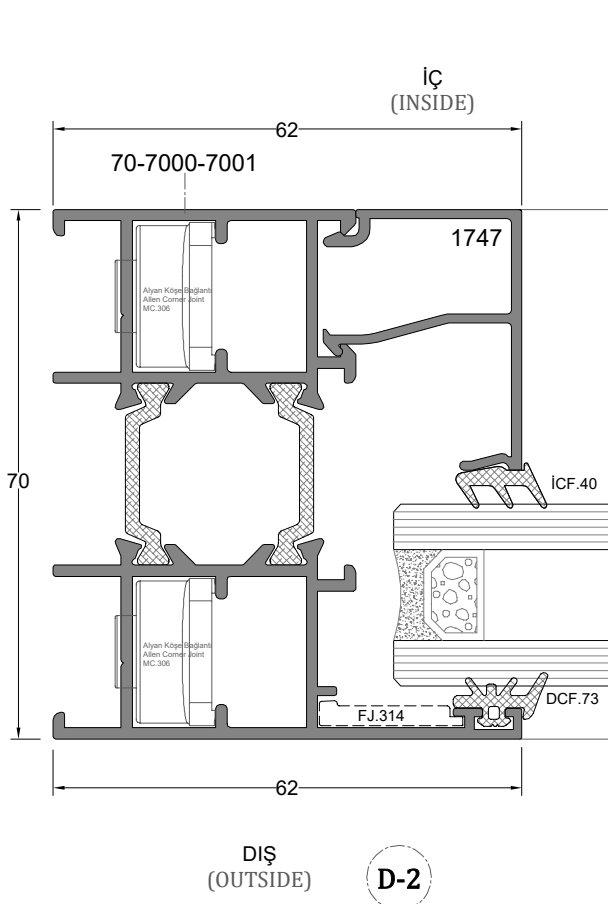
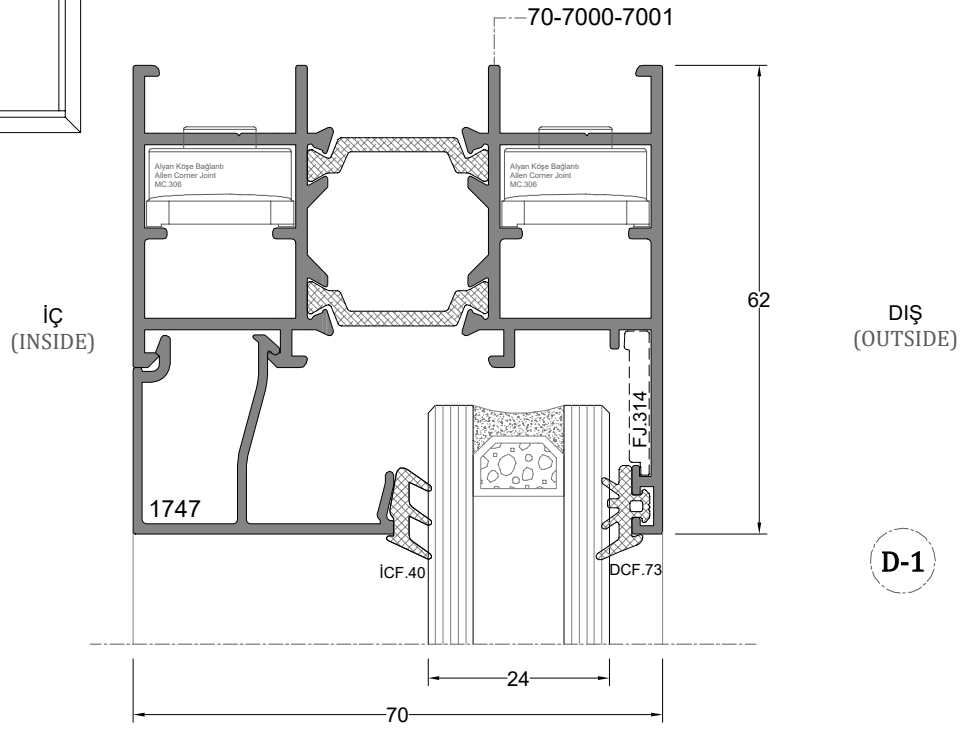
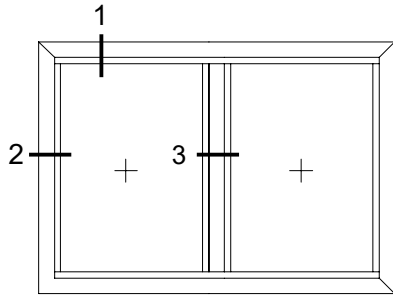
Köşe Takoz Profili CORNER WEDGE PROFILE	Profil Kodu Profile Code	(kg/mt) Weight
	3546	3,357

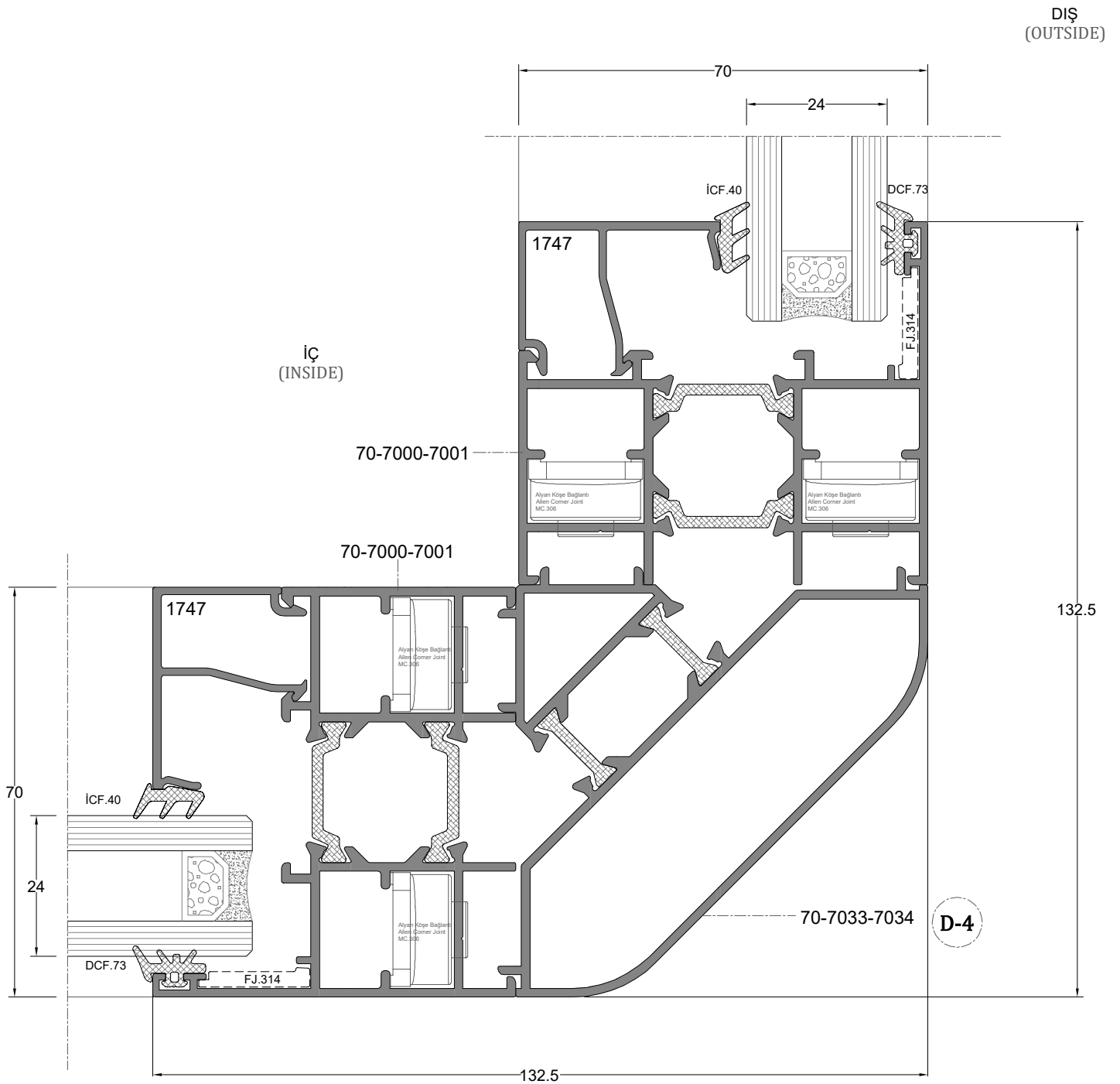
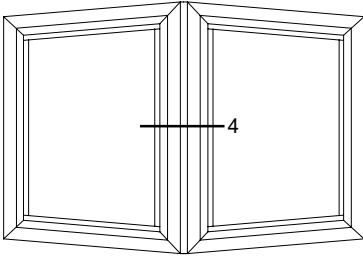
Köşe Takozu Profil Kodu Corner Wedge Profile Code	Kullanıldığı Profil Compatible Profile	Kesim Boyu (mm) Cutting Length (mm)
3546	7041	27,00 mm
	8763	18,90 mm
	8764	18,90 mm
	11886	18,90 mm
	12789	18,90 mm
	7175	18,90 mm

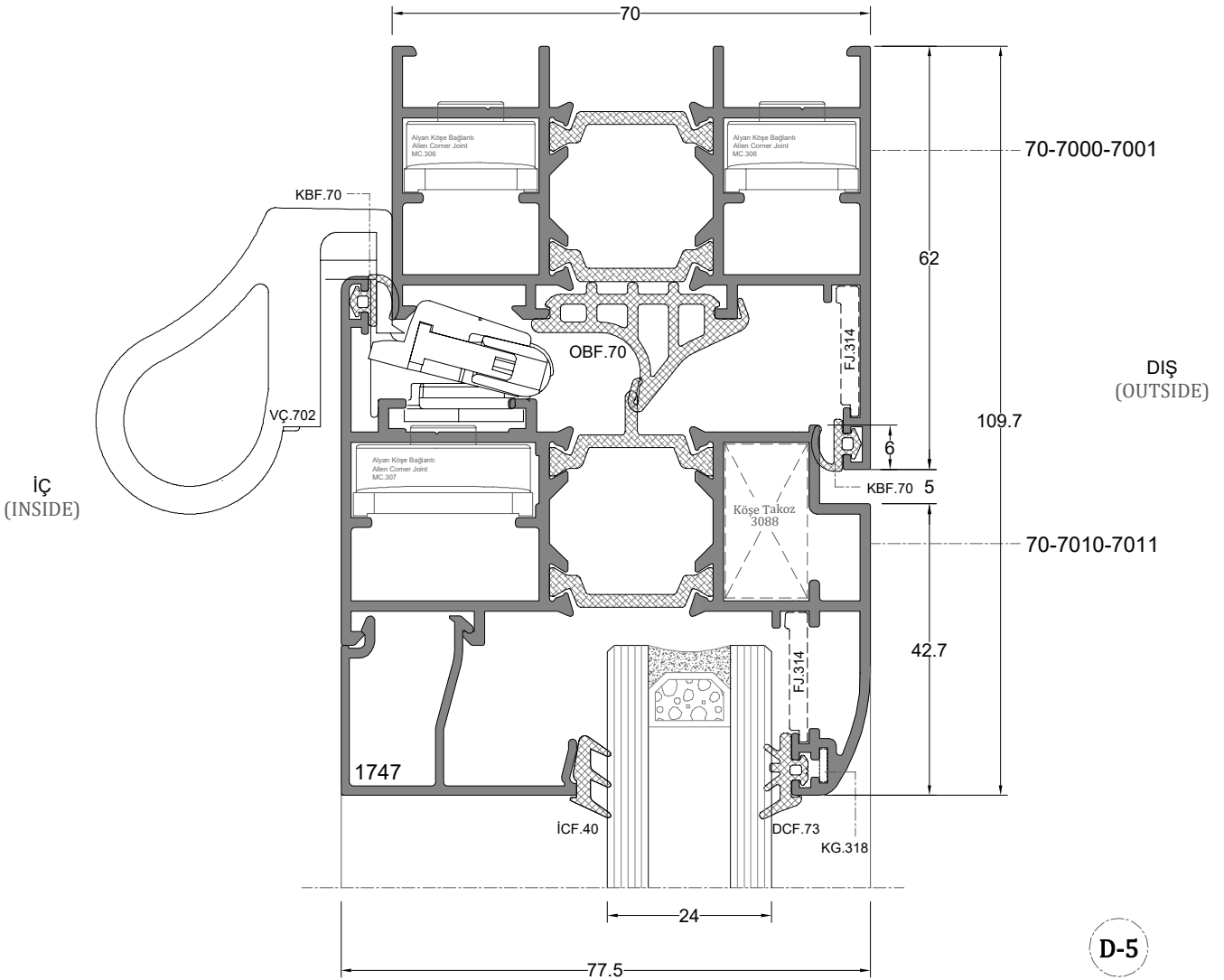
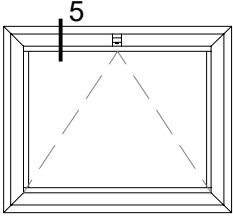


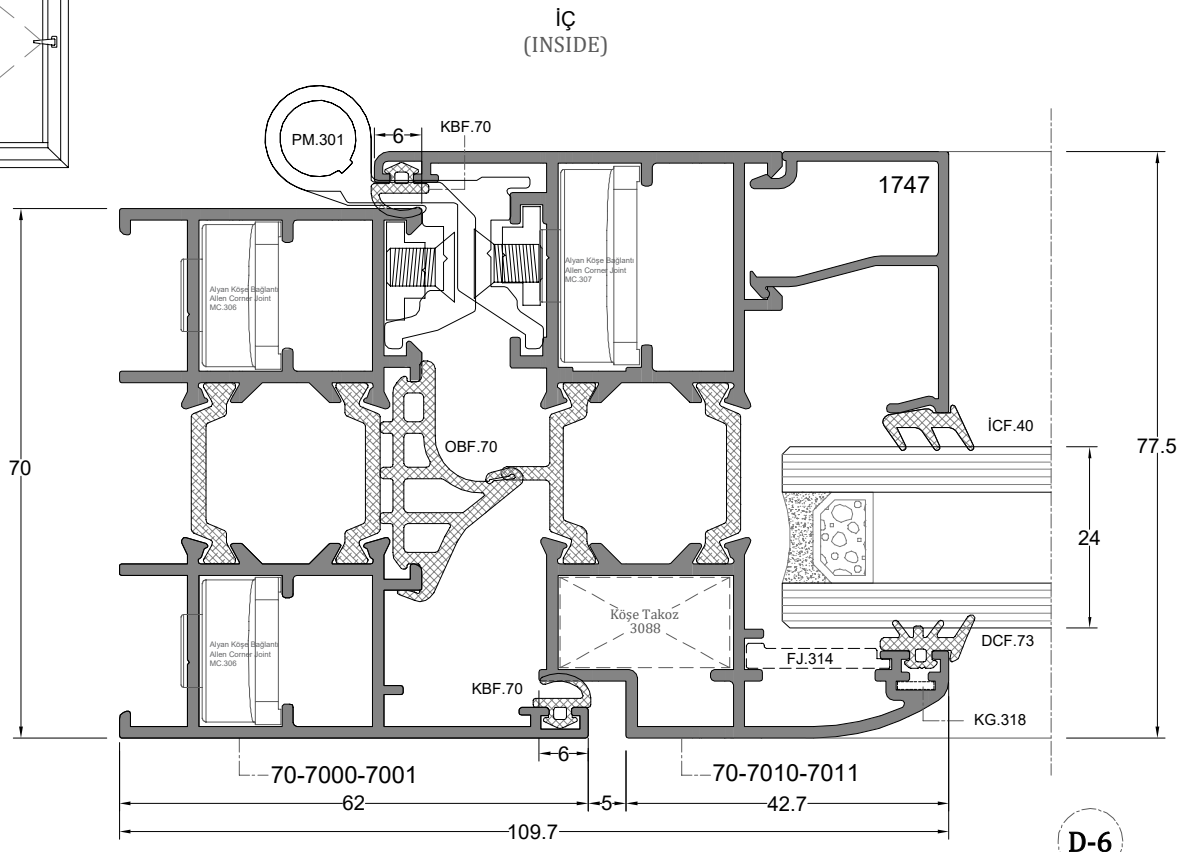
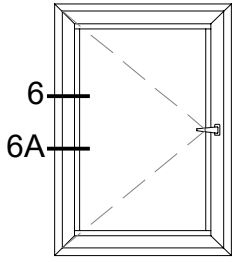
Köşe Takoz Profili CORNER WEDGE PROFILE	Profil Kodu Profile Code	(kg/mt) Weight
	7040	3,398

Köşe Takozu Profil Kodu Corner Wedge Profile Code	Kullanıldığı Profil Compatible Profile	Kesim Boyu (mm) Cutting Length (mm)
7040	7019,7020	27,00 mm

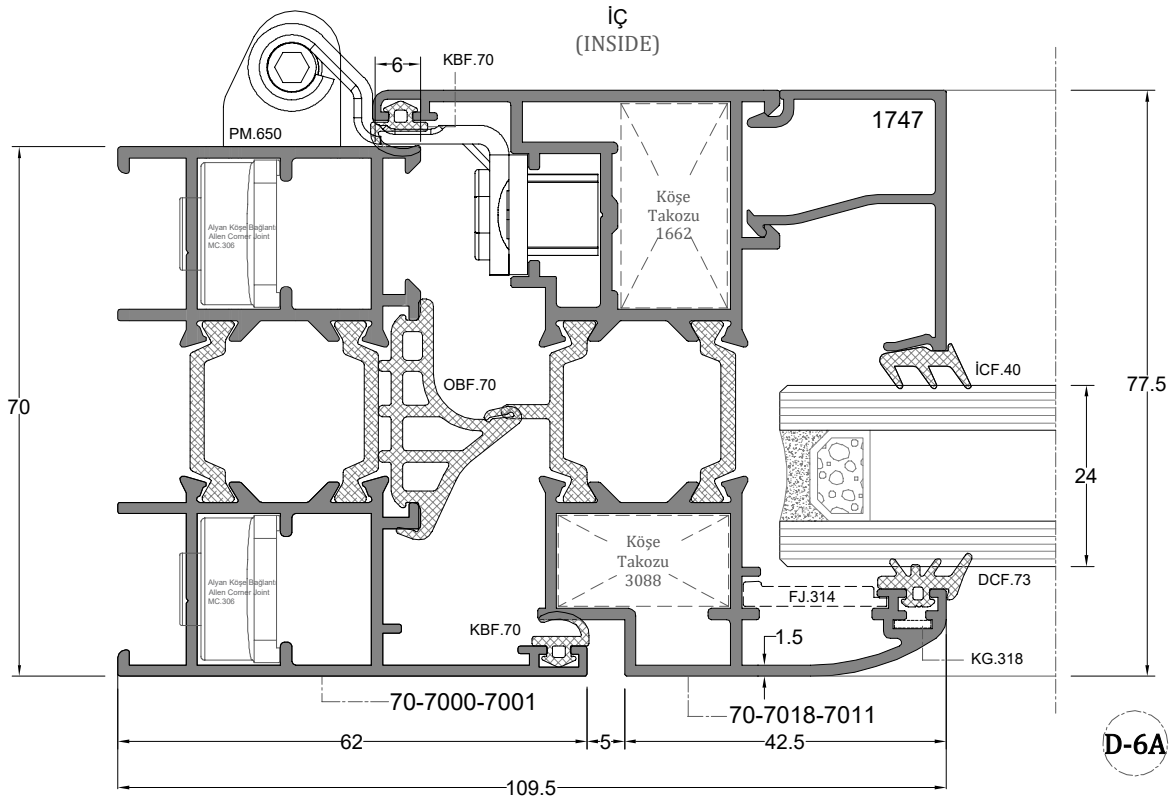




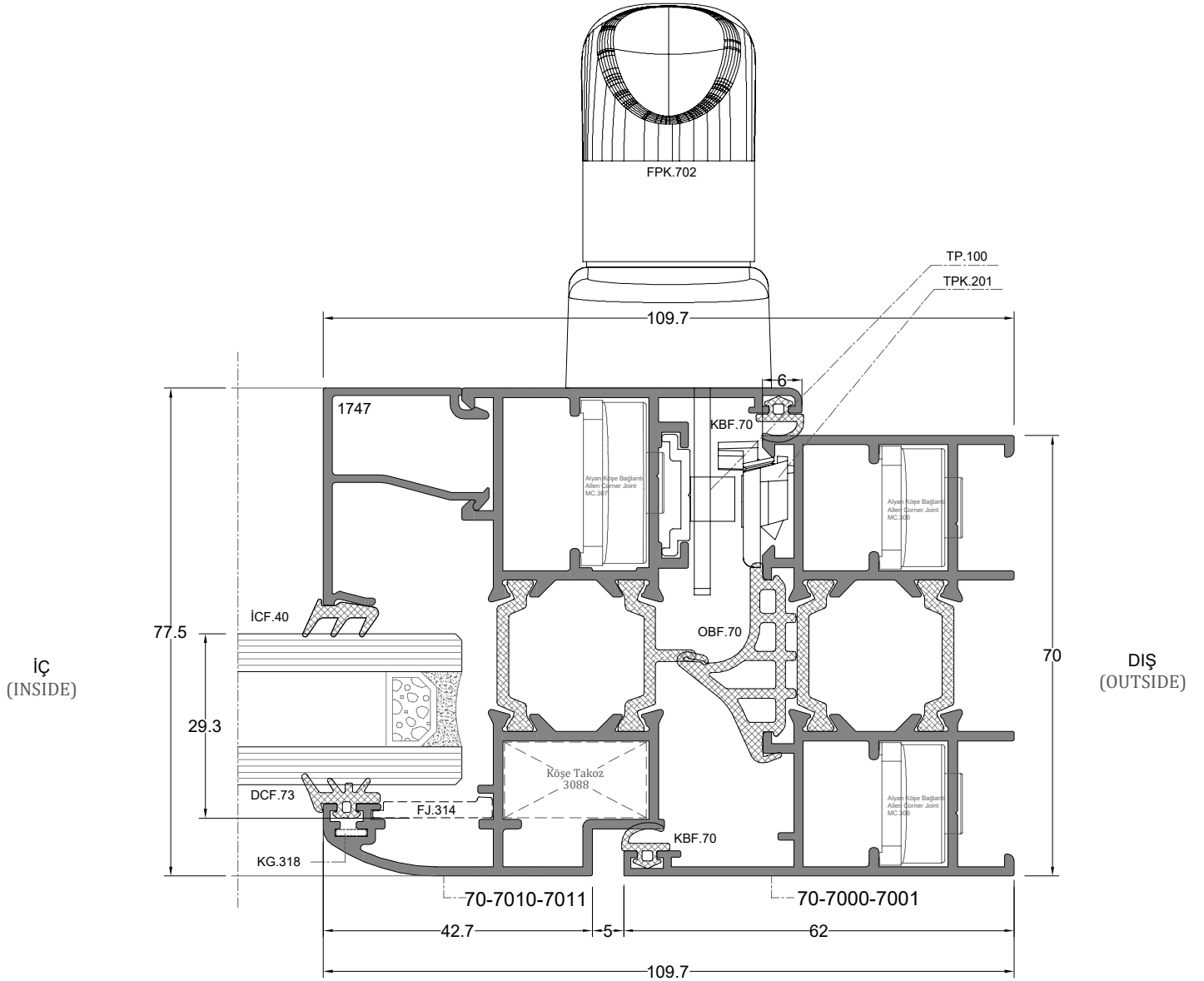
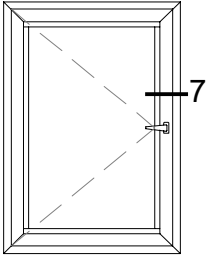




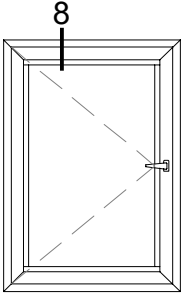
DIŞ (OUTSIDE)



DIŞ (OUTSIDE)

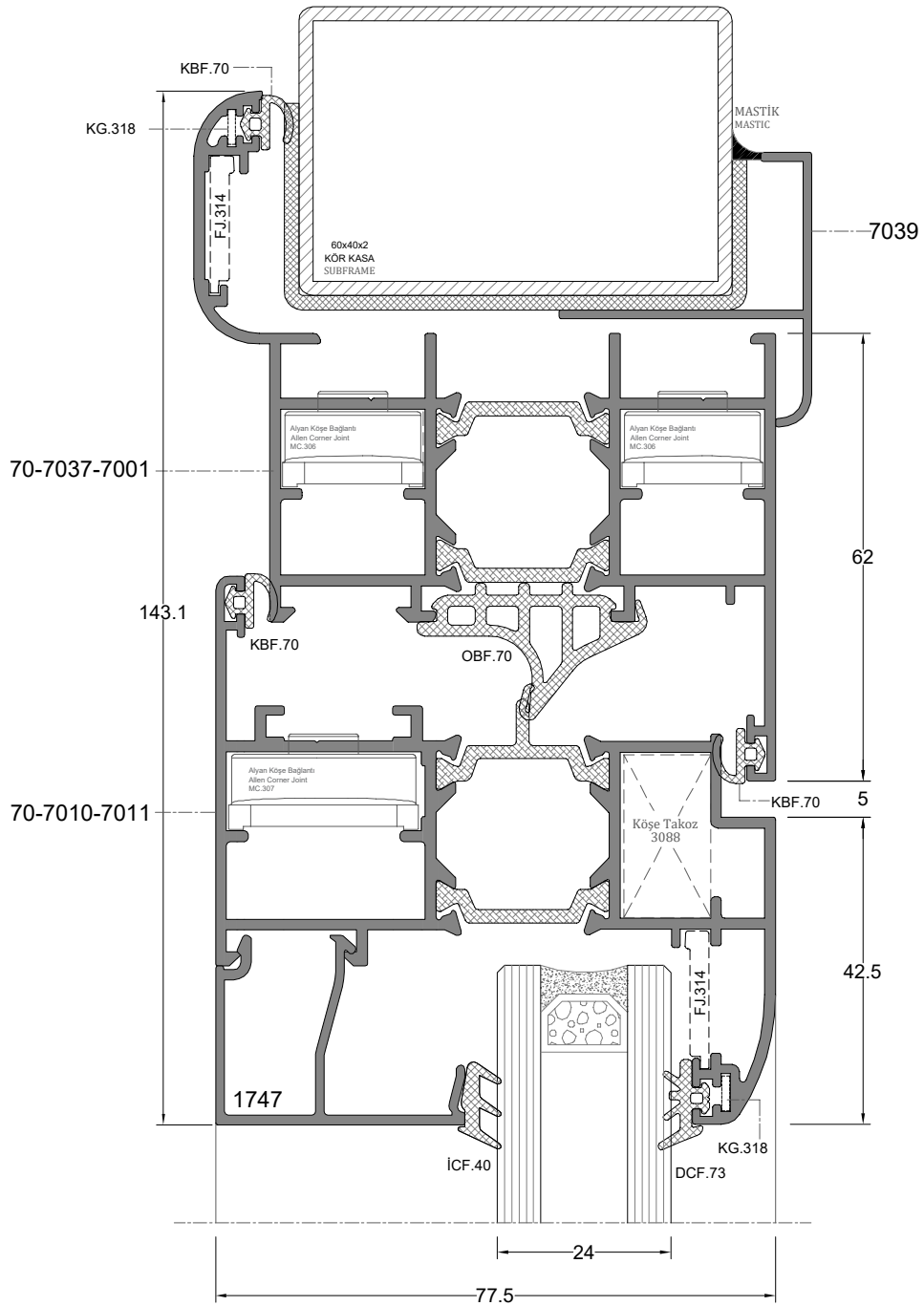


D-7

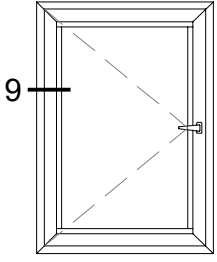


İÇ
(INSIDE)

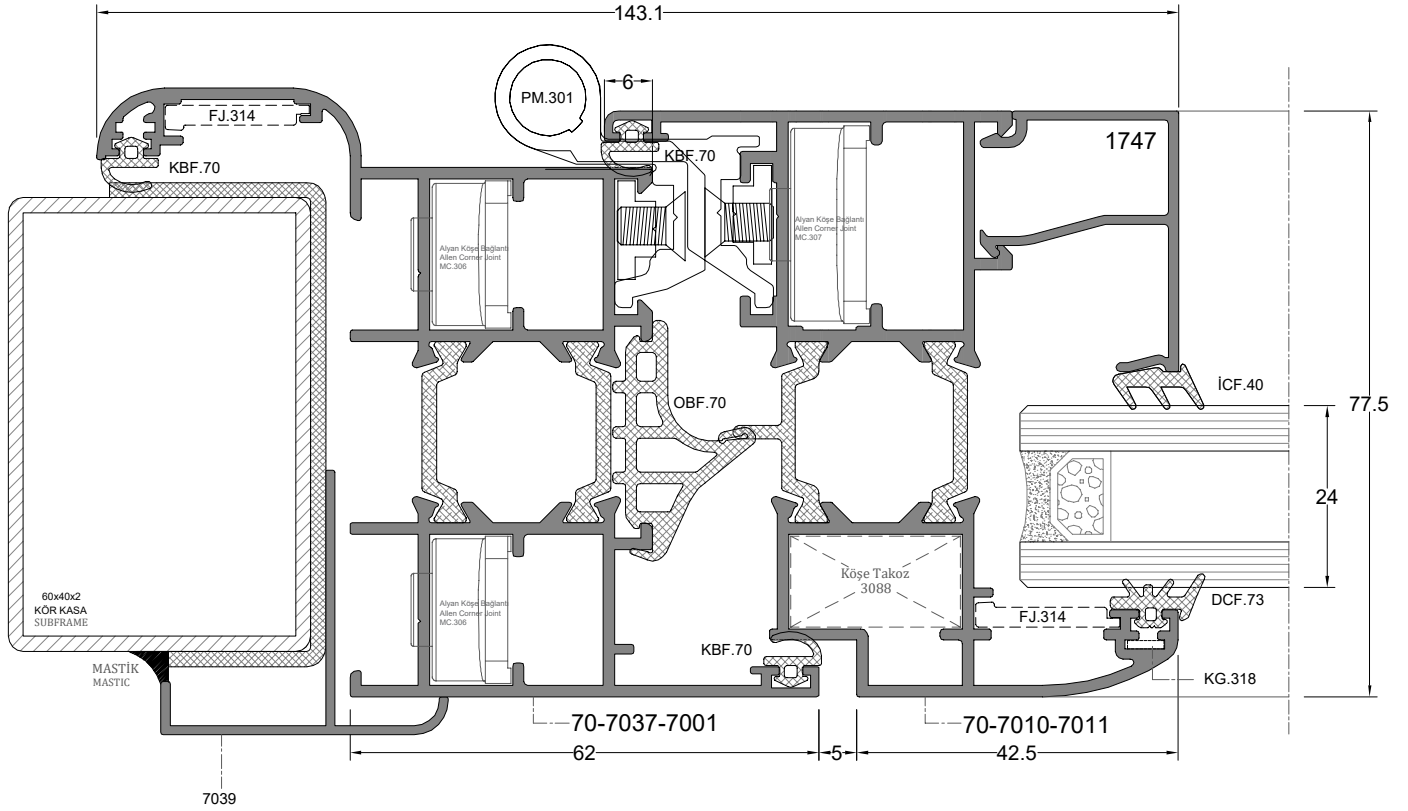
DIŞ
(OUTSIDE)



D-8

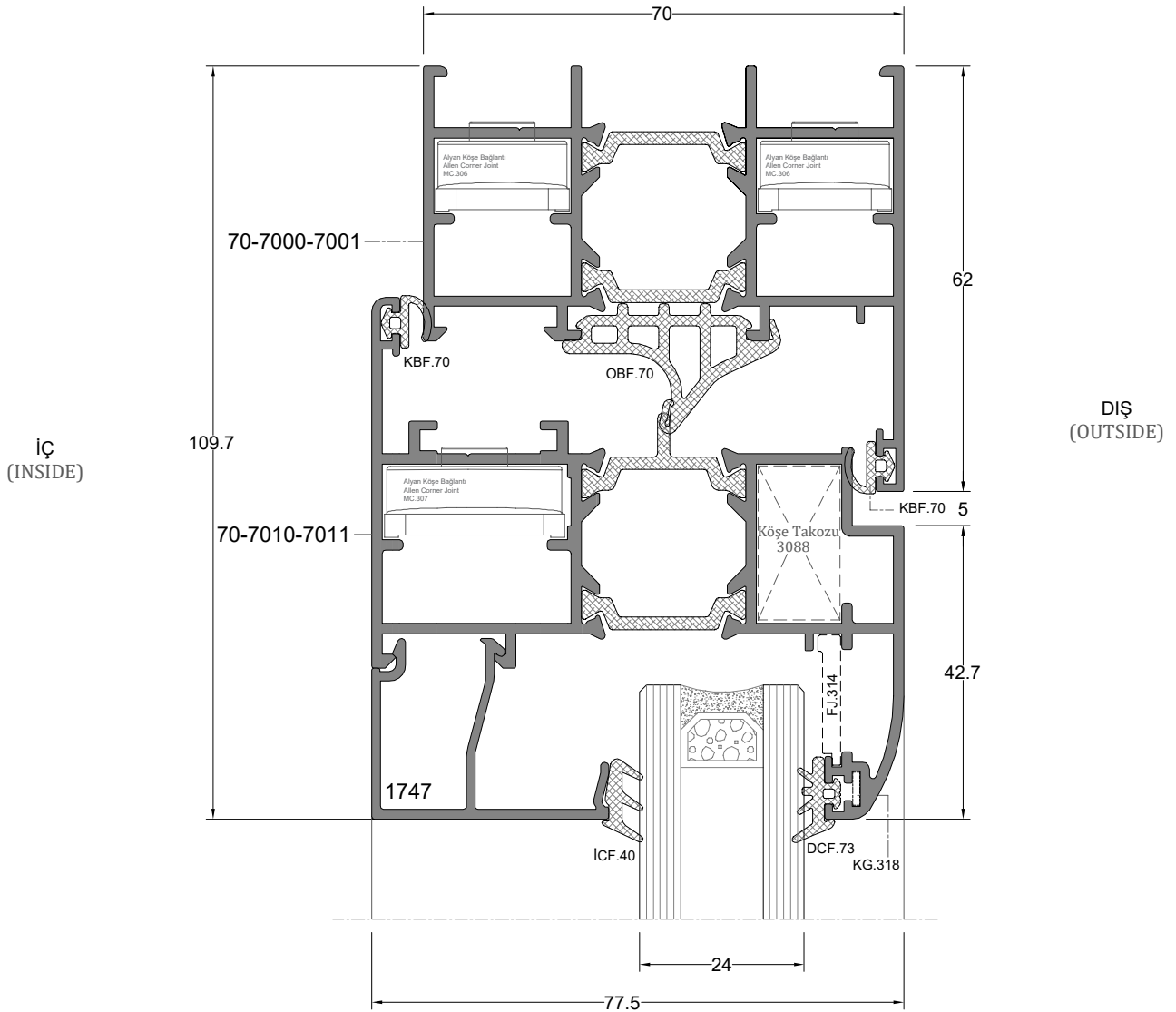
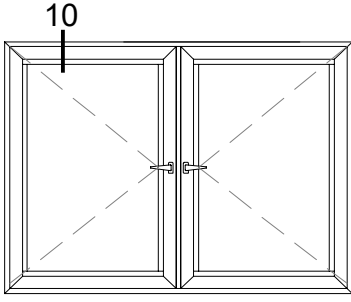


İÇ
(INSIDE)

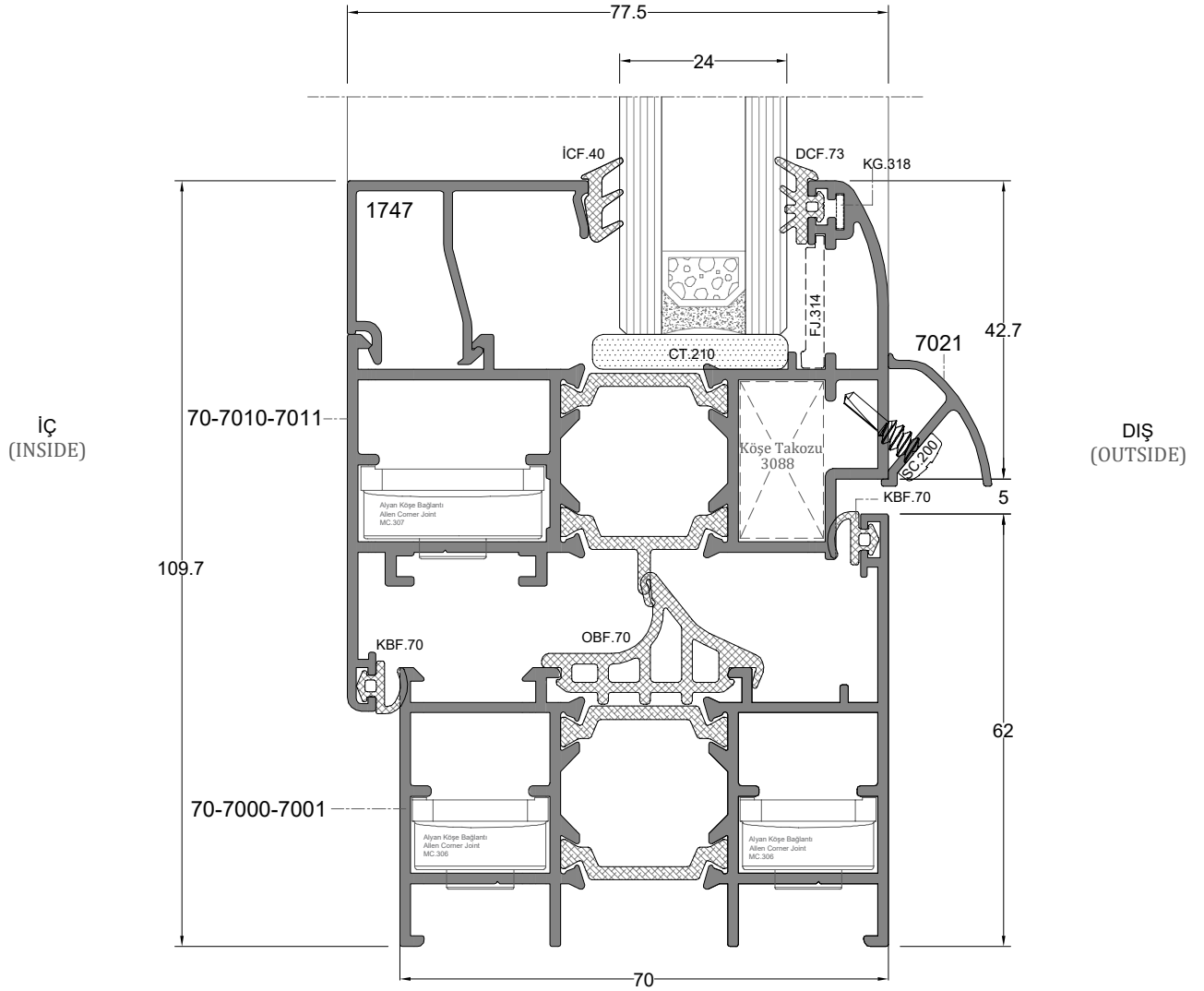
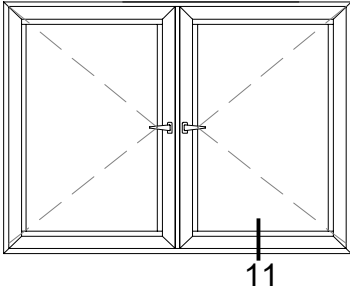


DIŞ
(OUTSIDE)

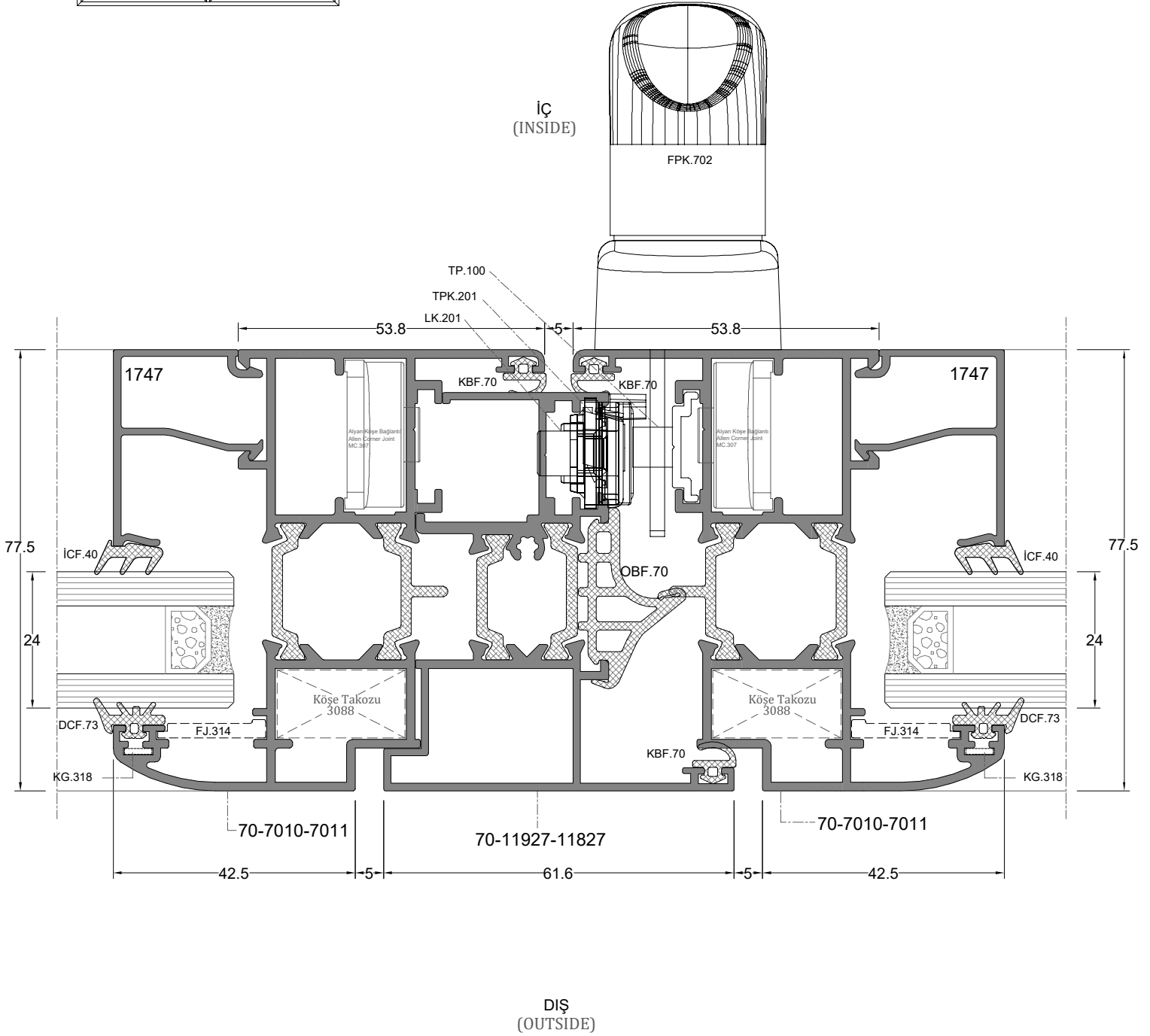
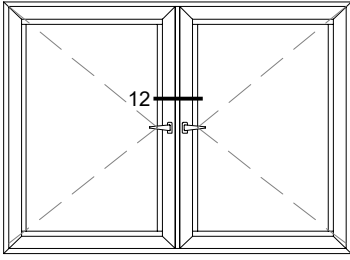
D-9



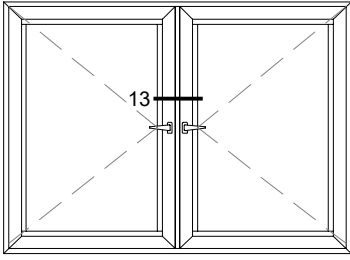
D-10



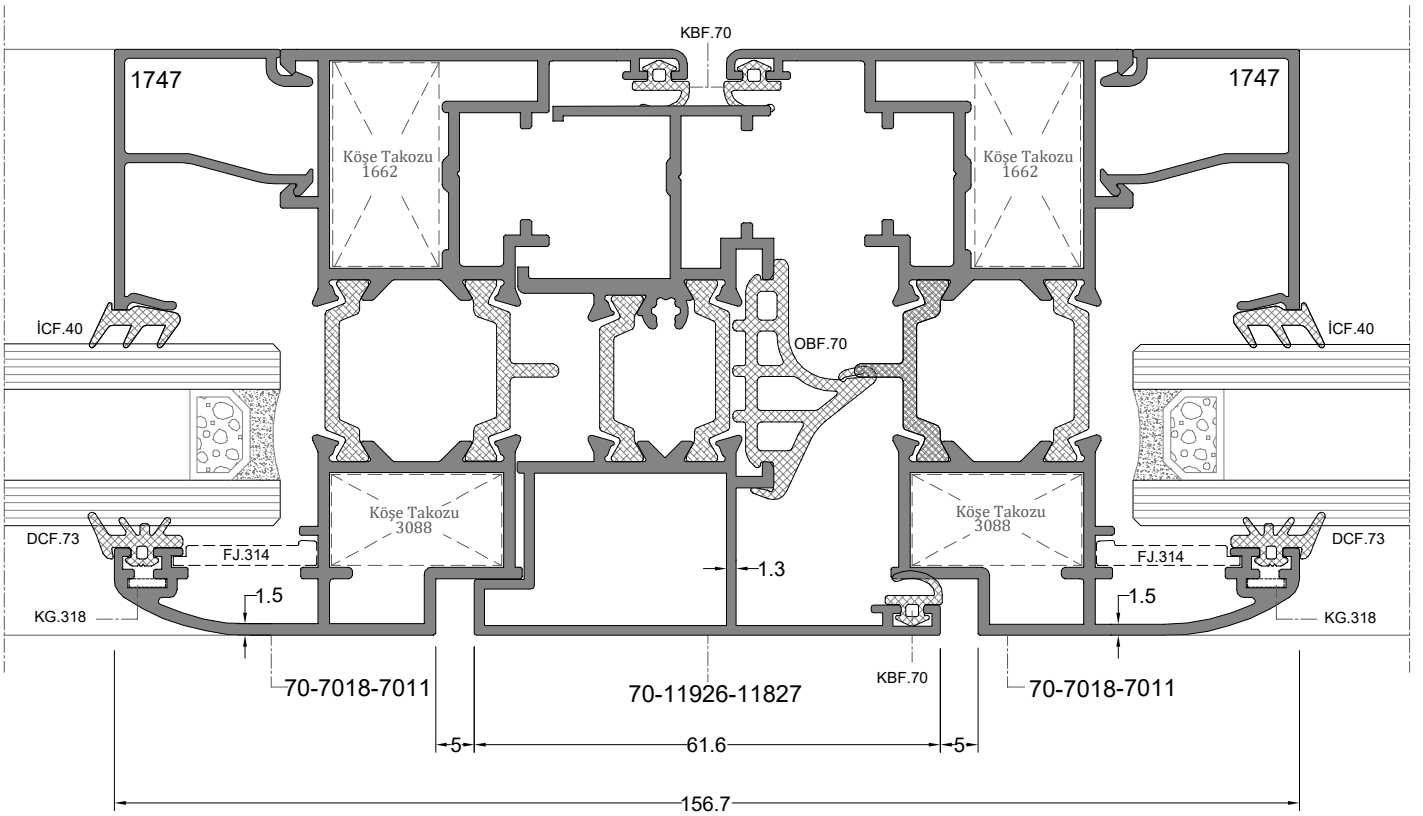
D-11



D-12

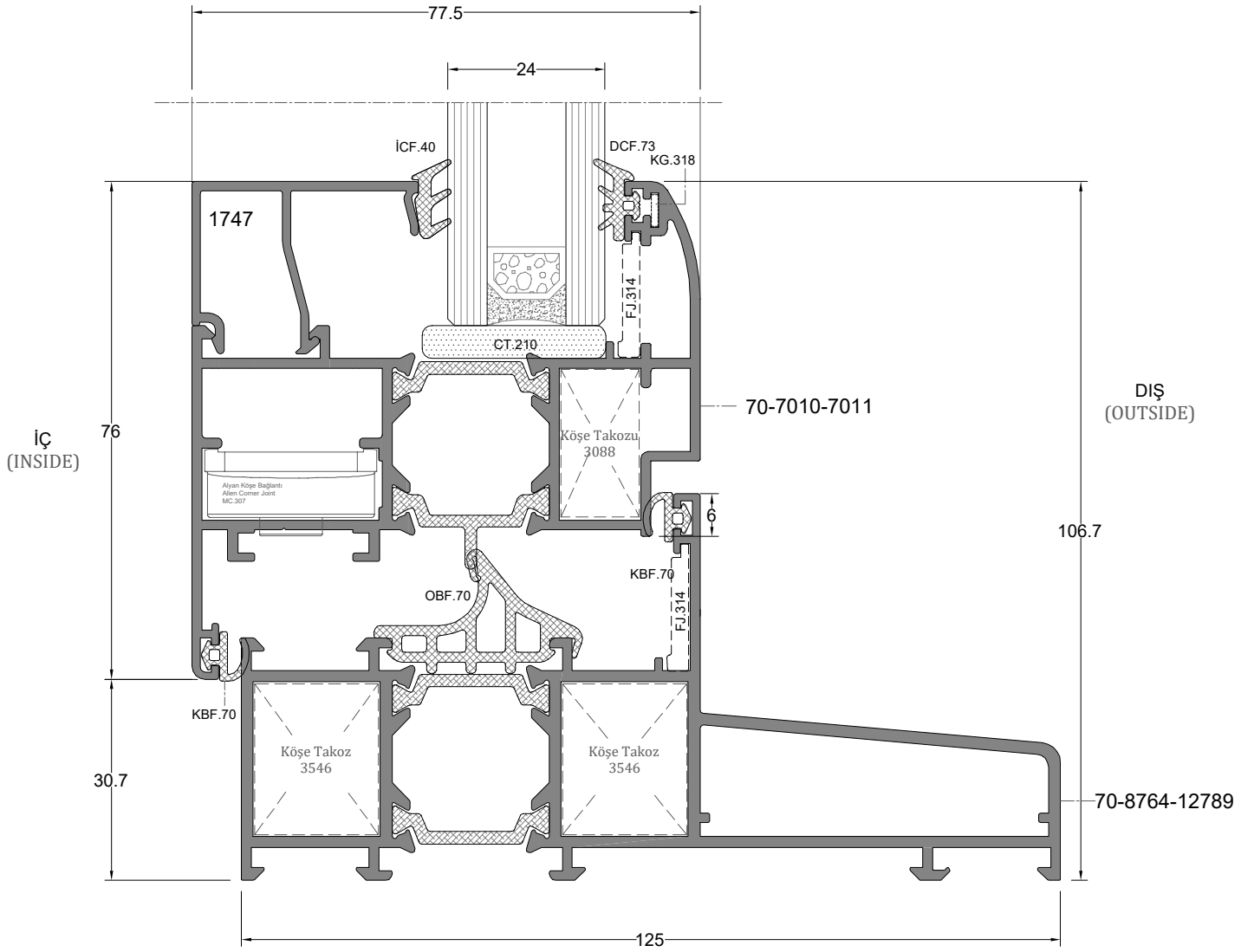
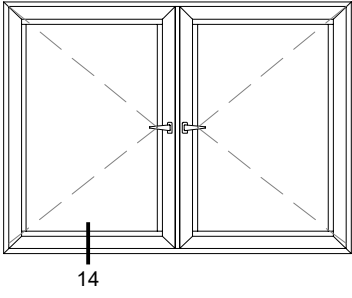


İÇ
(INSIDE)

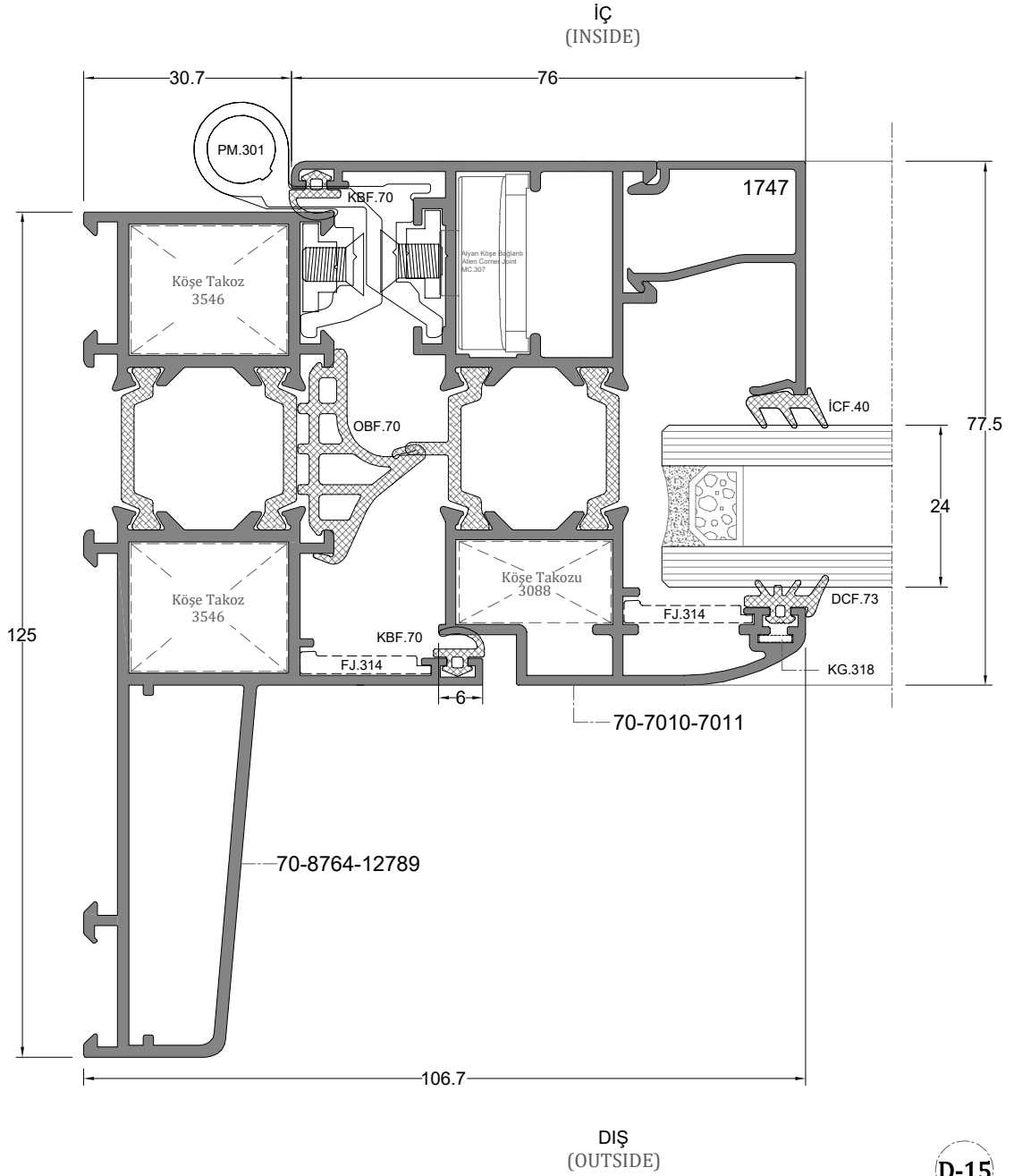
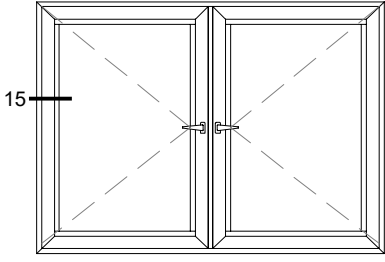


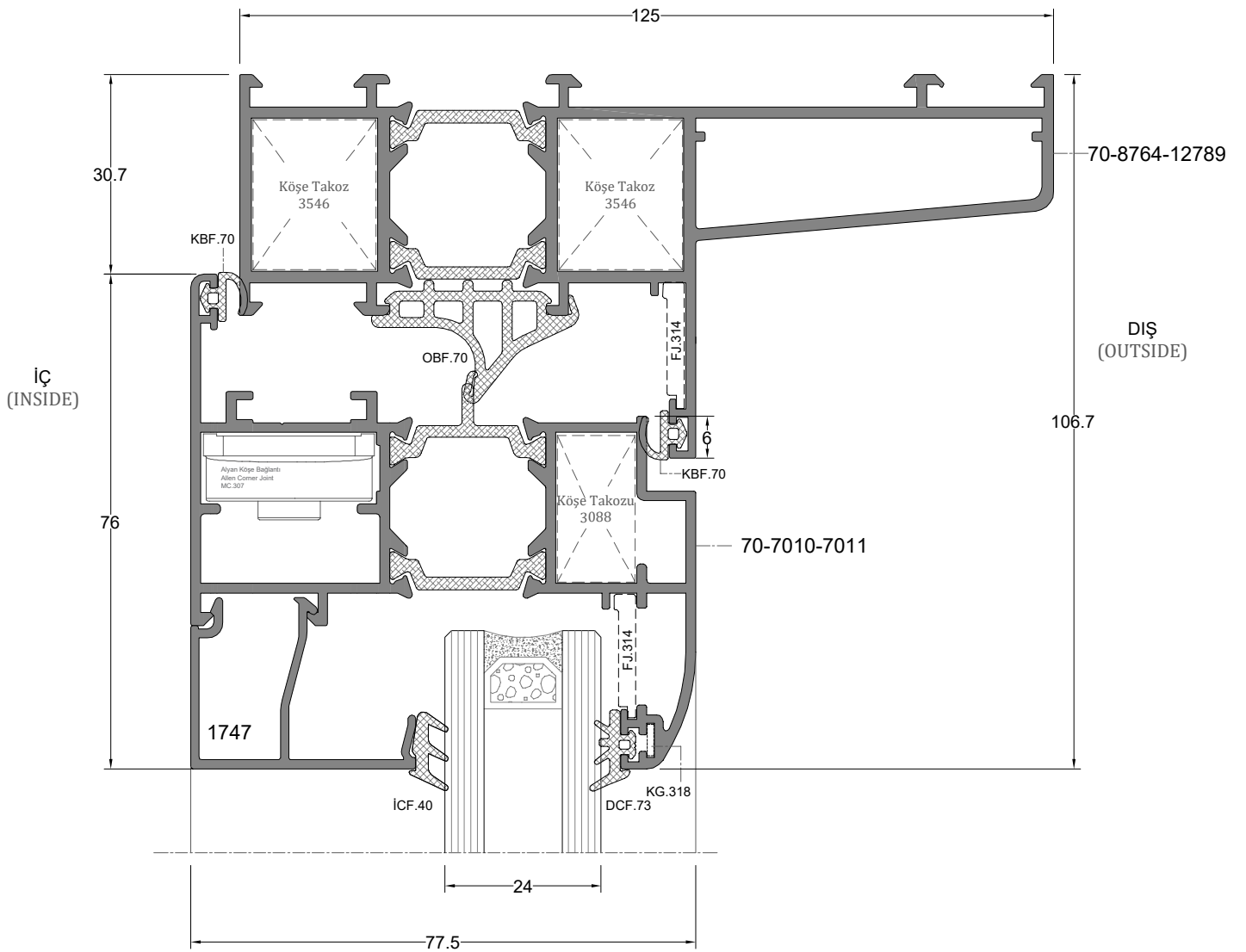
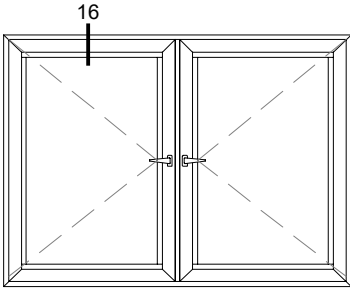
DIŞ
(OUTSIDE)

D-13

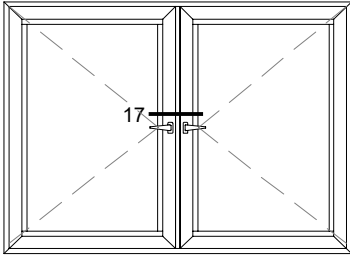


D-14

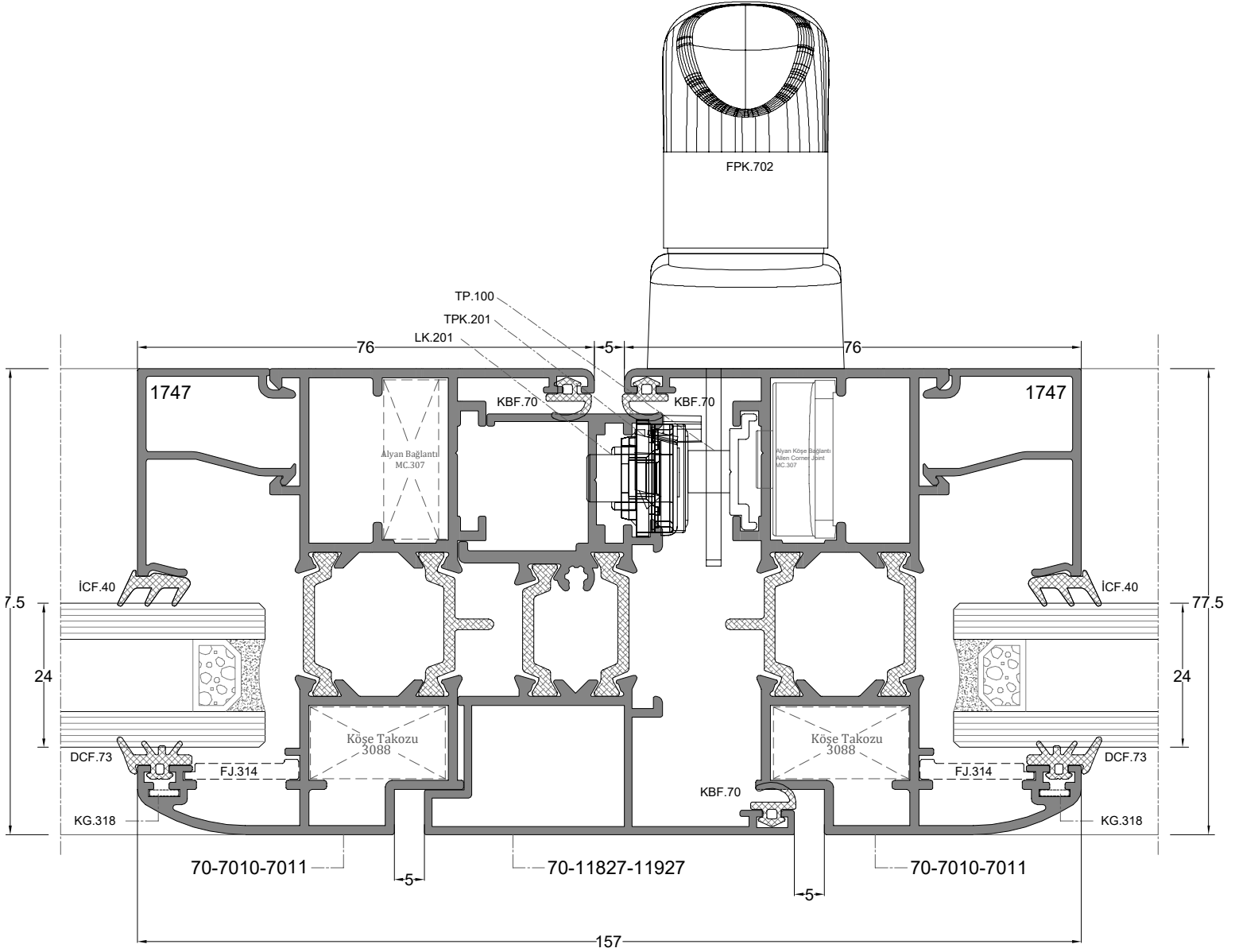




D-16

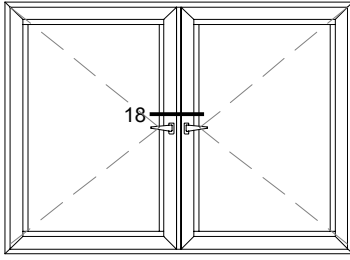


İÇ
(INSIDE)

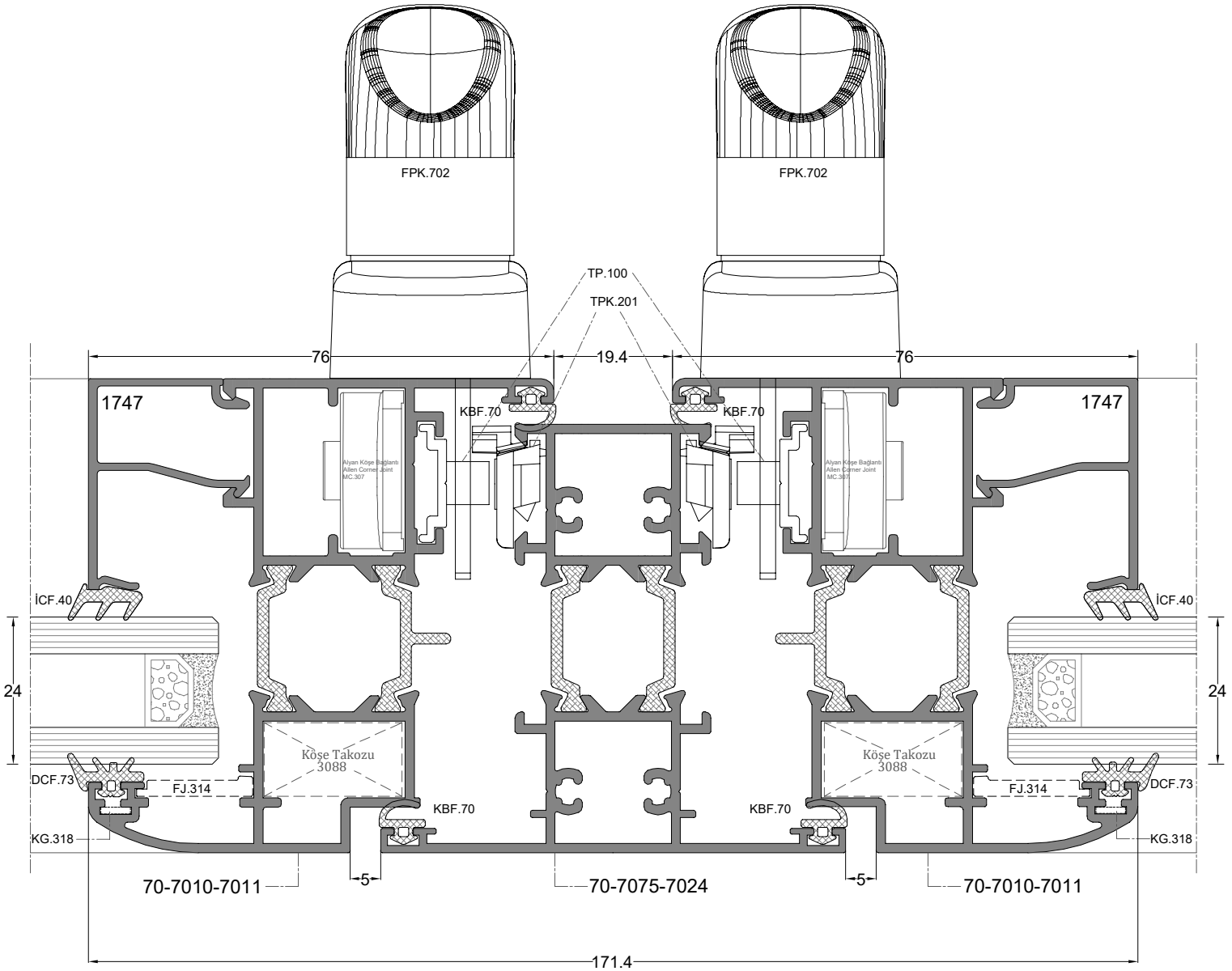


DIŞ
(OUTSIDE)

D-17

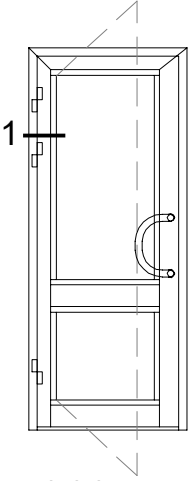


İÇ
(INSIDE)



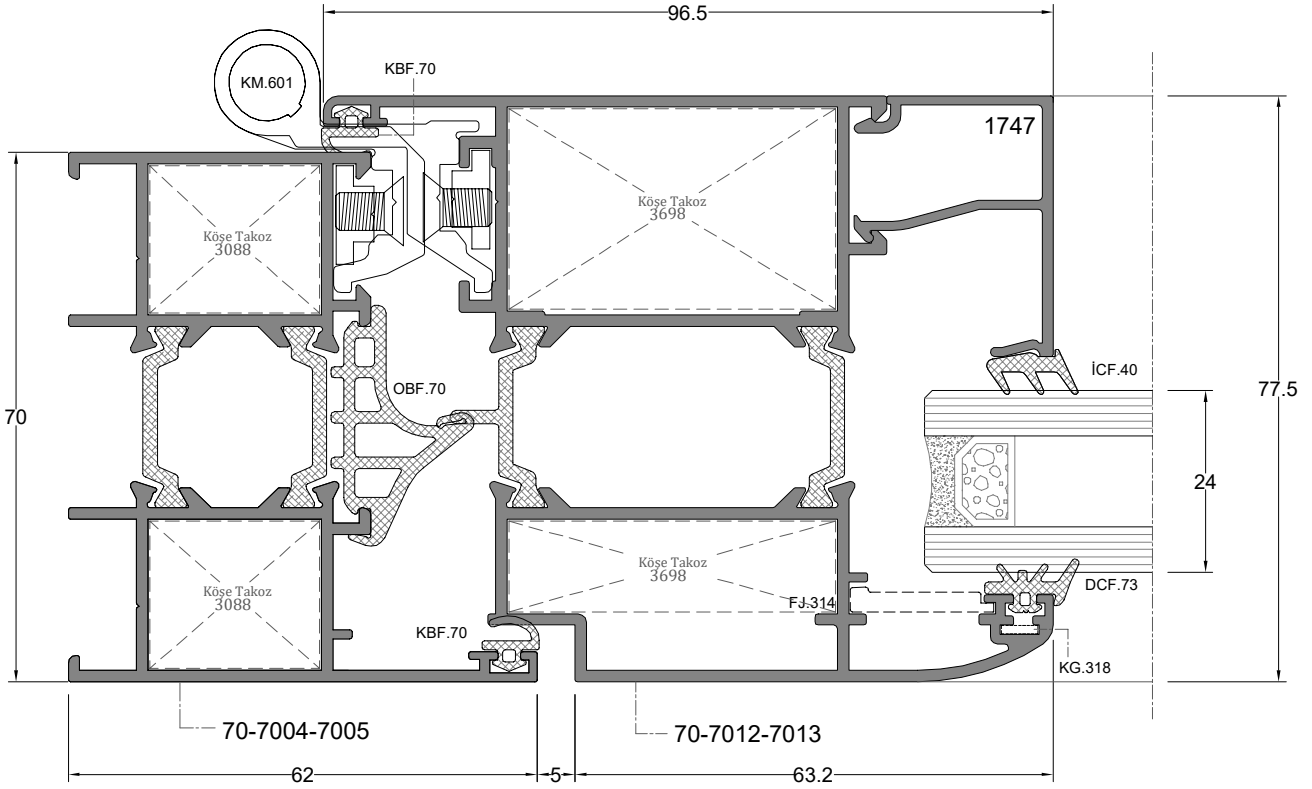
DIŞ
(OUTSIDE)

D-18



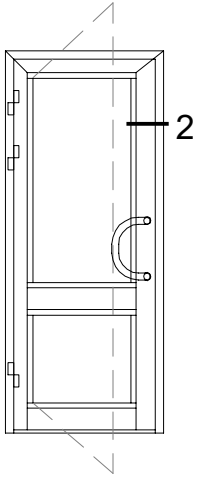
BİNİLİ KAPI DETAY
OVERLAPPING DOOR DETAIL

İÇ
(INSIDE)

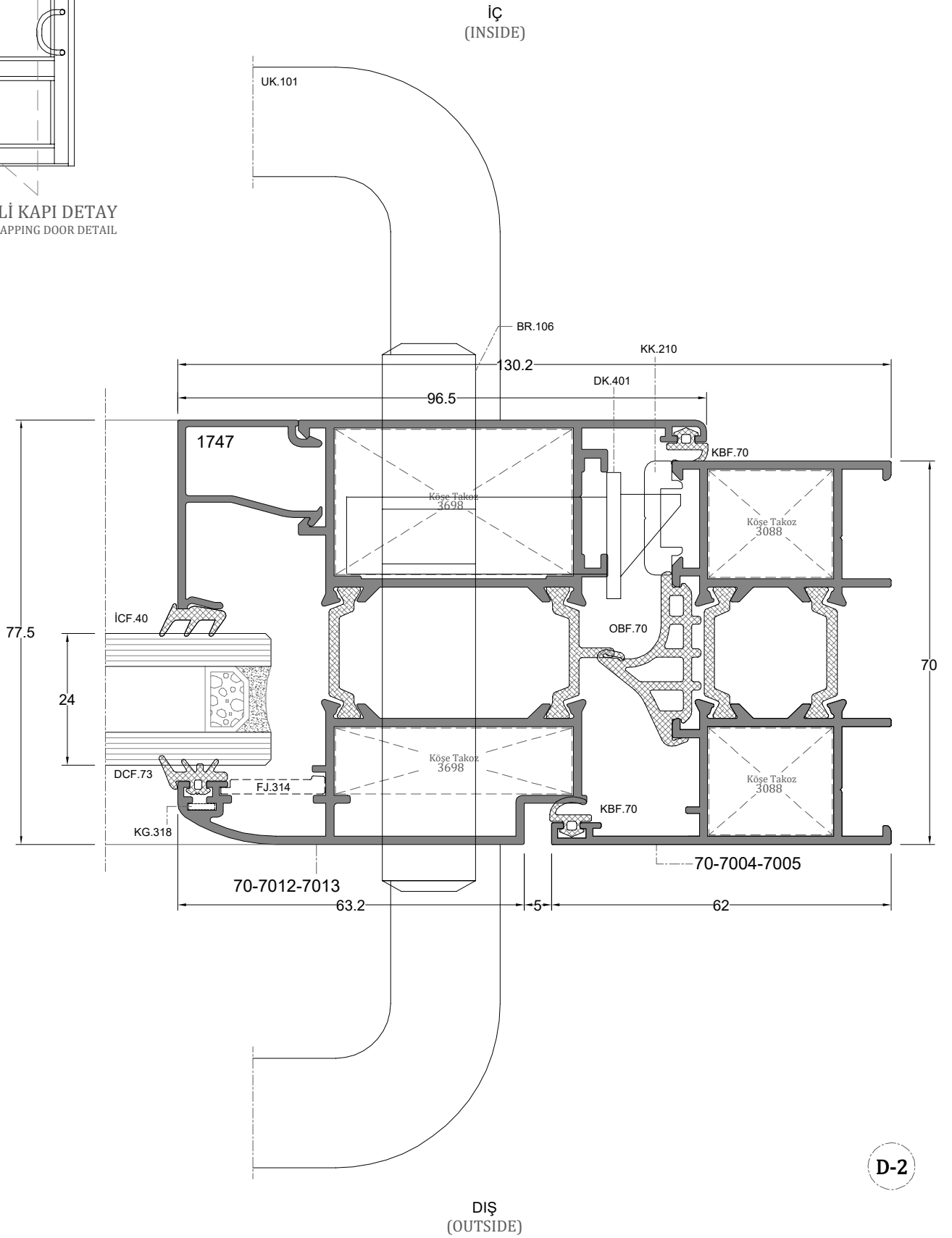


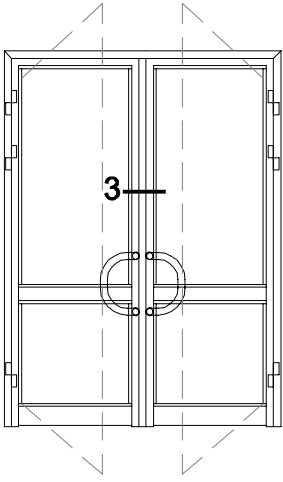
DIŞ
(OUTSIDE)

D-1



BİNİLİ KAPI DETAY
OVERLAPPING DOOR DETAIL

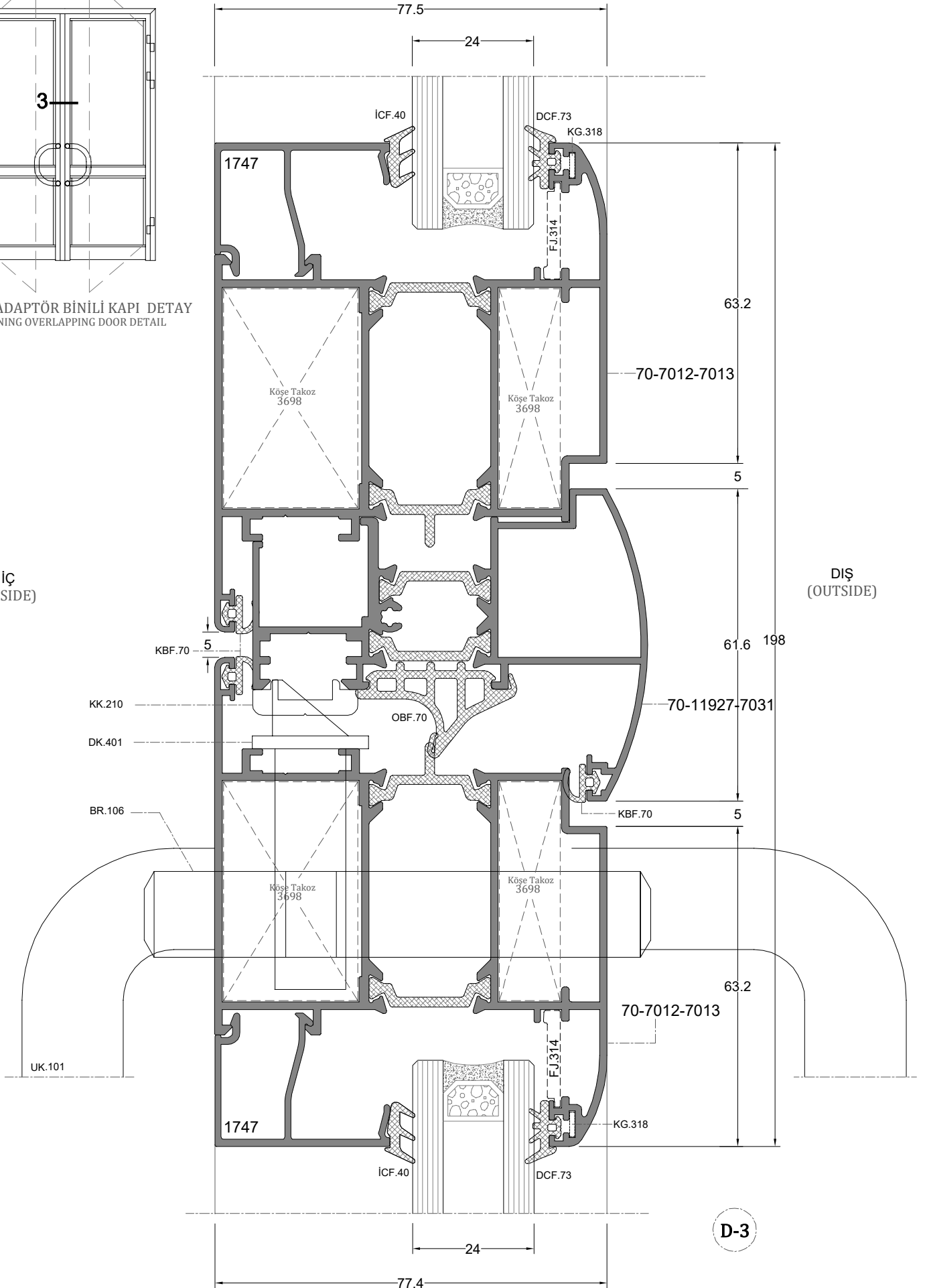


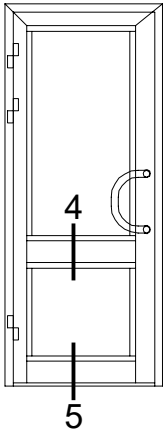


İÇE AÇILIR ADAPTÖR BİNİLİ KAPI DETAY
INWARD OPENING OVERLAPPING DOOR DETAIL

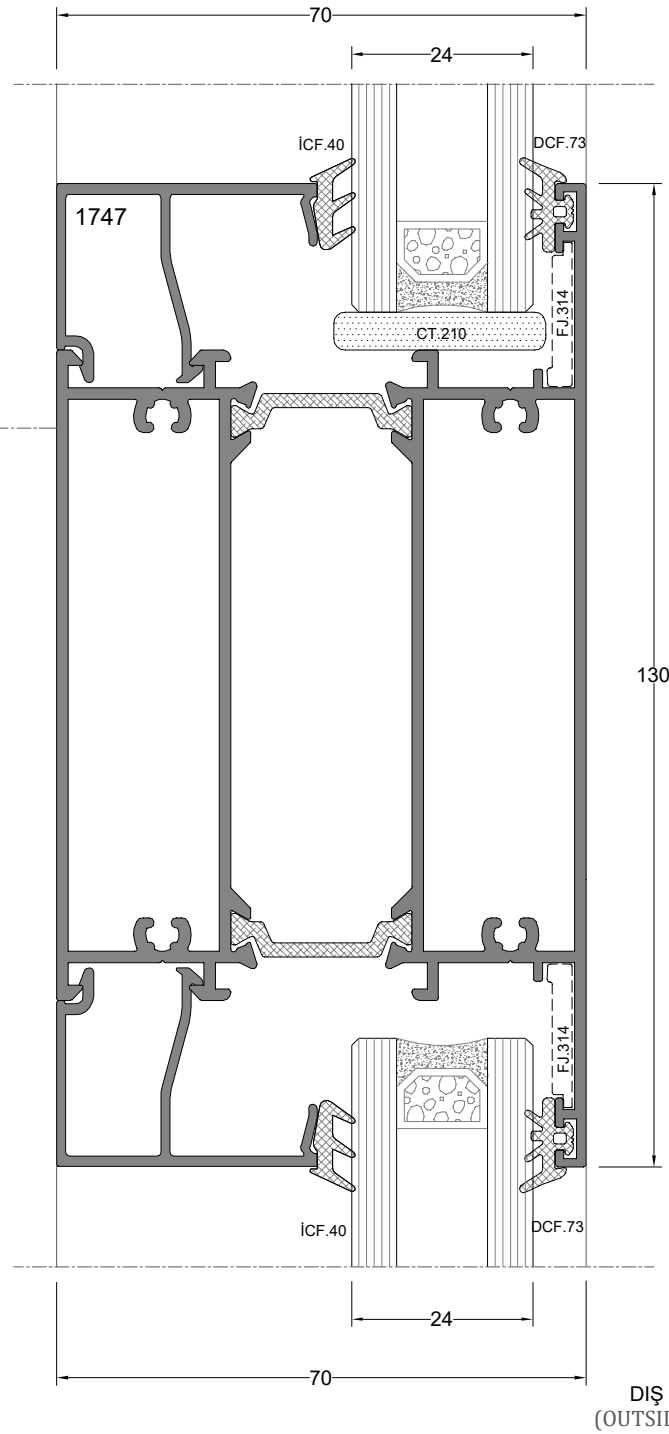
İÇ
(INSIDE)

DIŞ
(OUTSIDE)

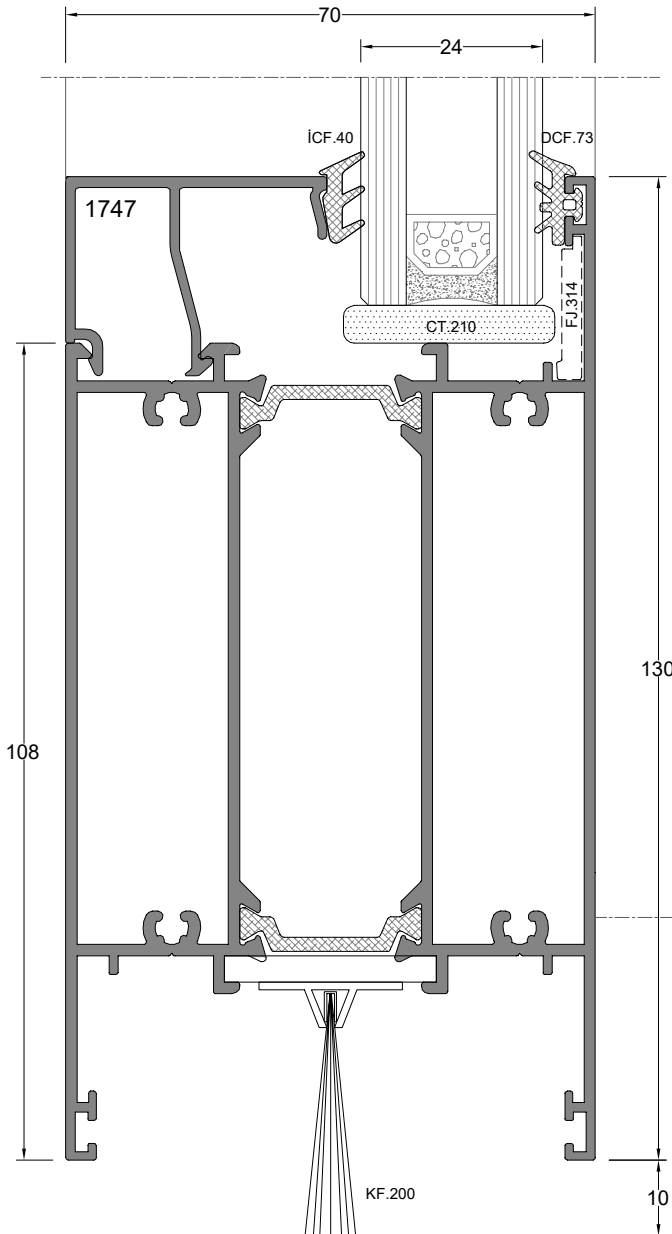




İÇ
(INSIDE)



İÇ
(INSIDE)



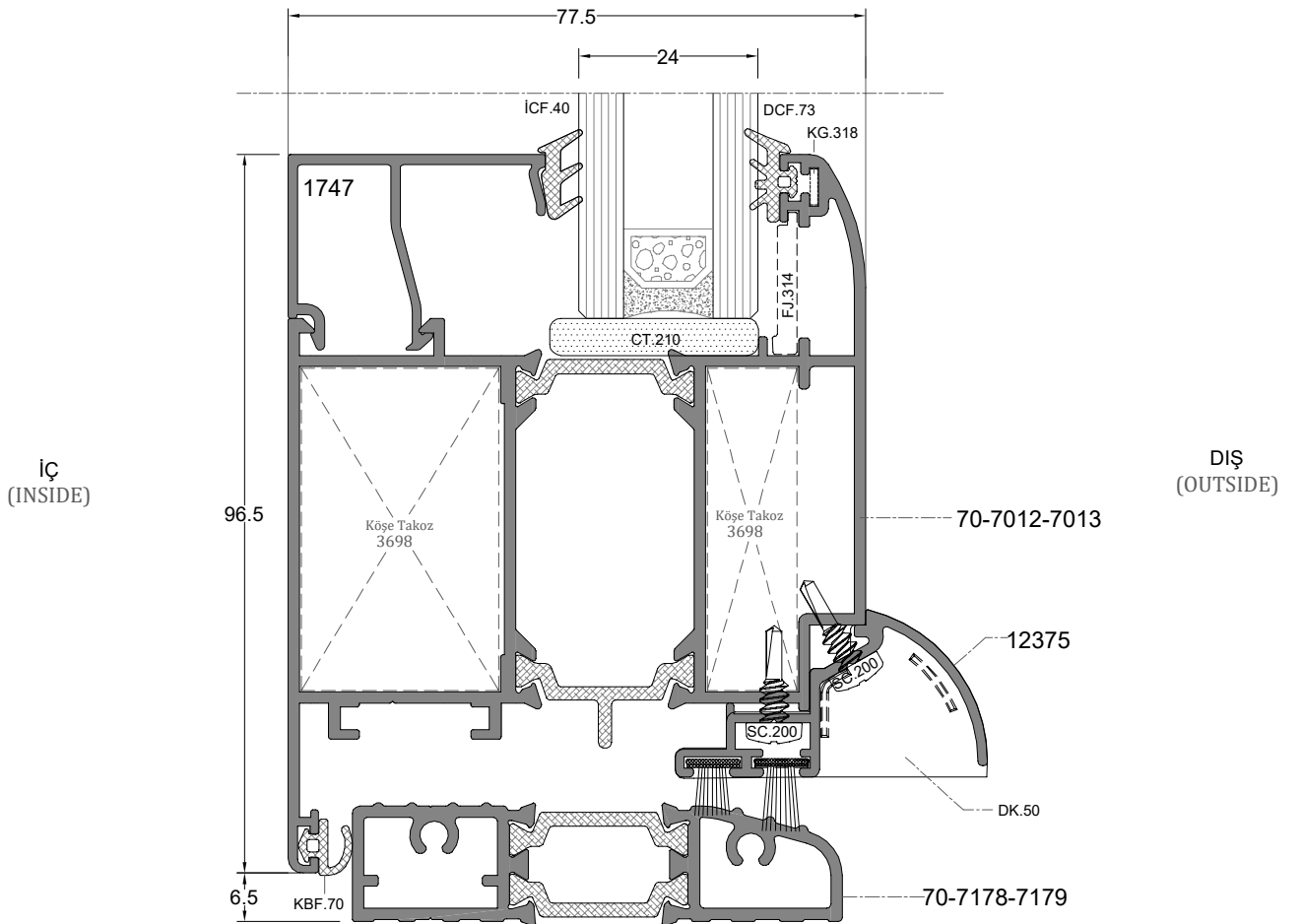
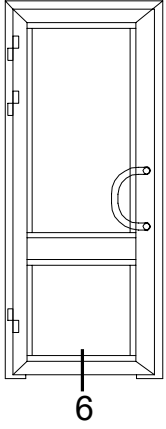
70-7029-7028

70-7030-7028

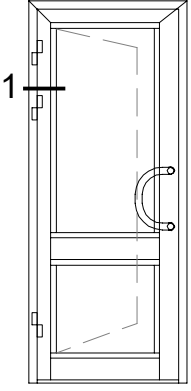
DİŞ
(OUTSIDE)

D-4

D-5

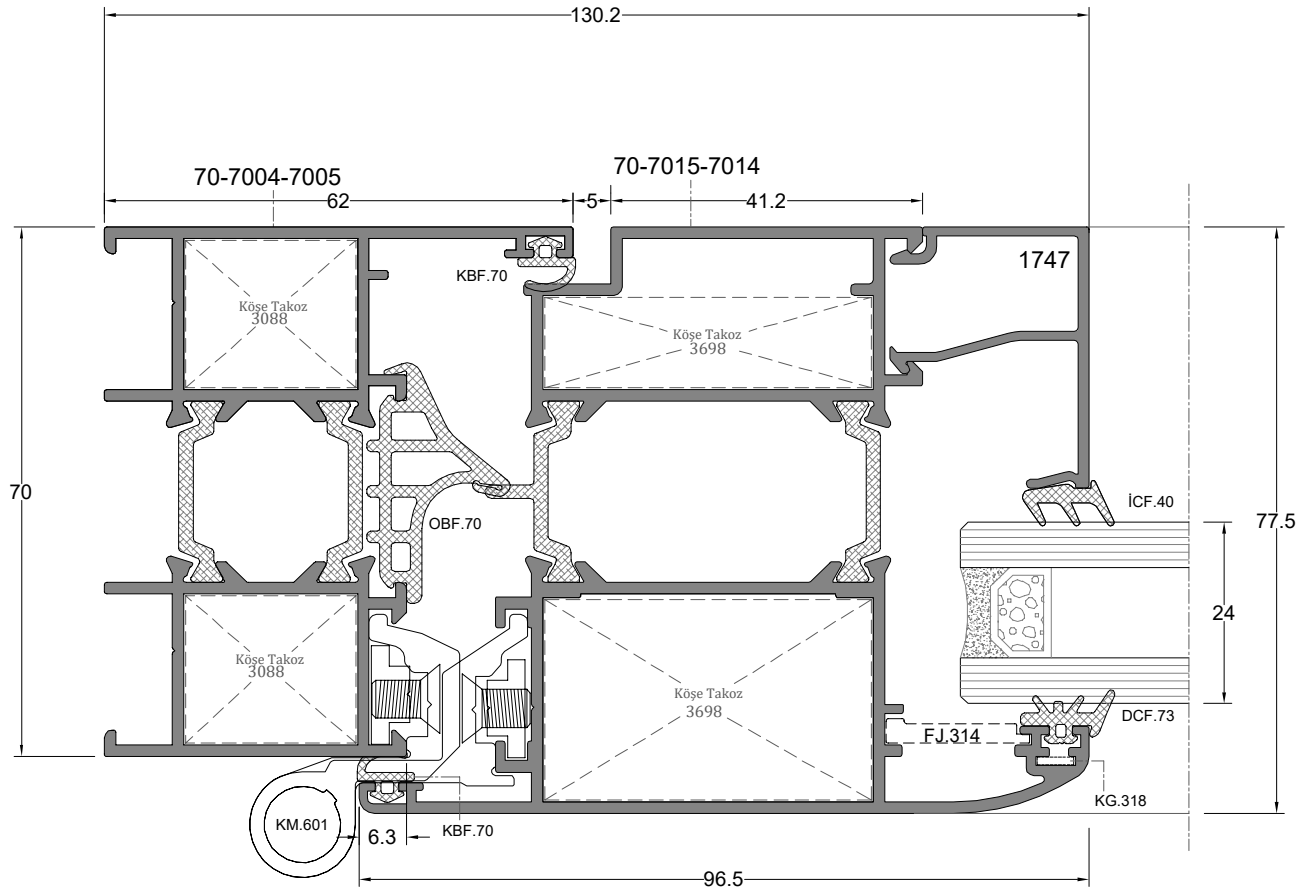


D-6



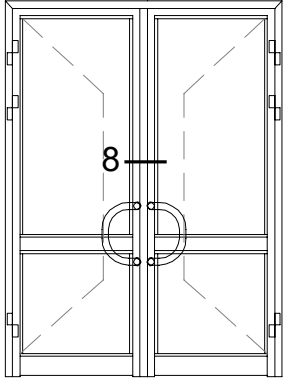
BİNİLİ KAPI DETAY
OVERLAPPING DOOR DETAIL

İÇ
(INSIDE)

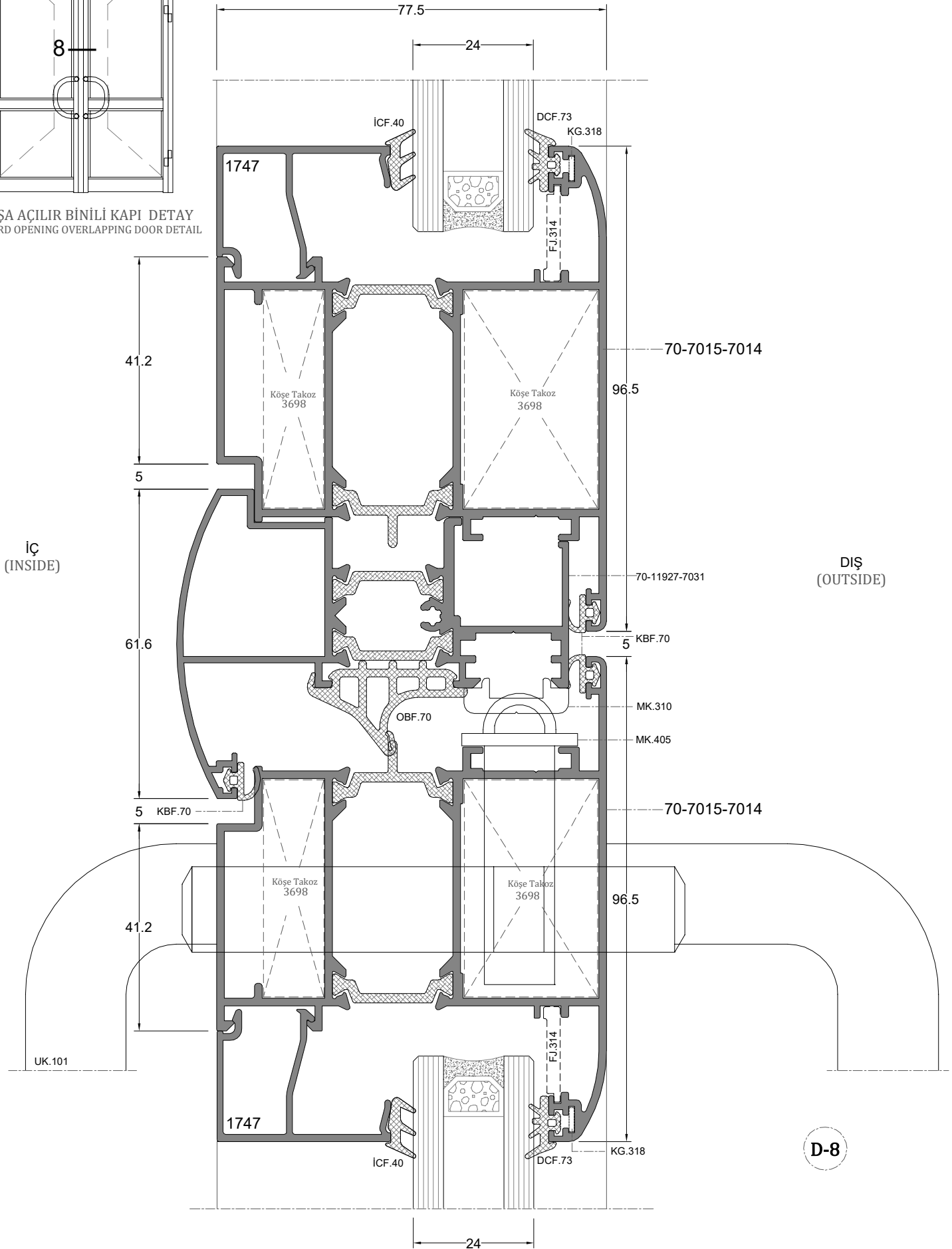


DIŞ
(OUTSIDE)

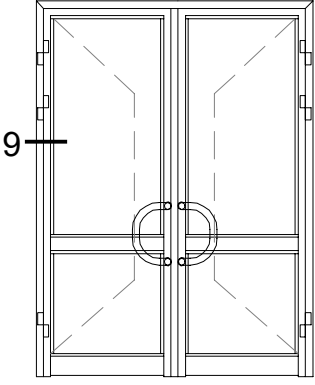
D-7



DİŞA AÇILIR BİNİLİ KAPI DETAY
OUTWARD OPENING OVERLAPPING DOOR DETAIL

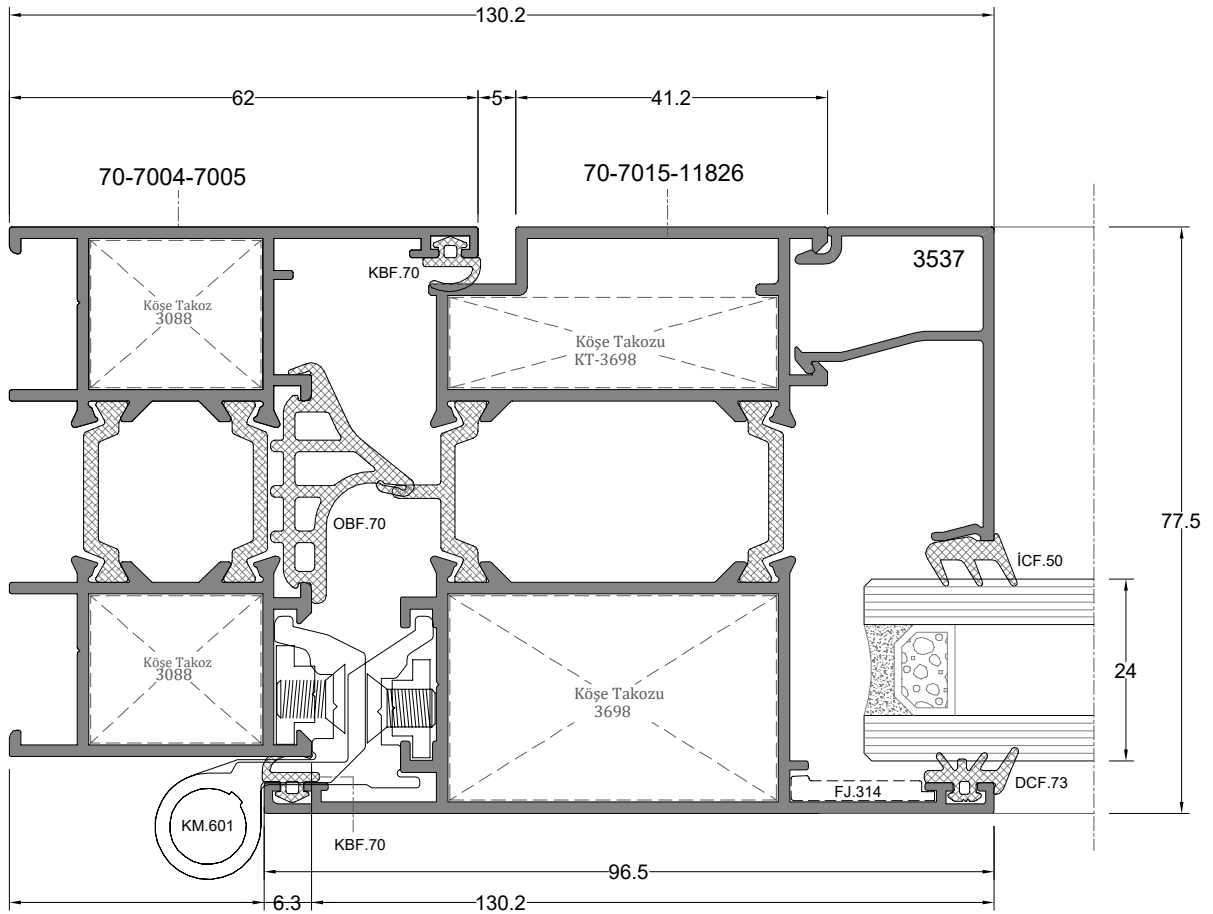


D-8



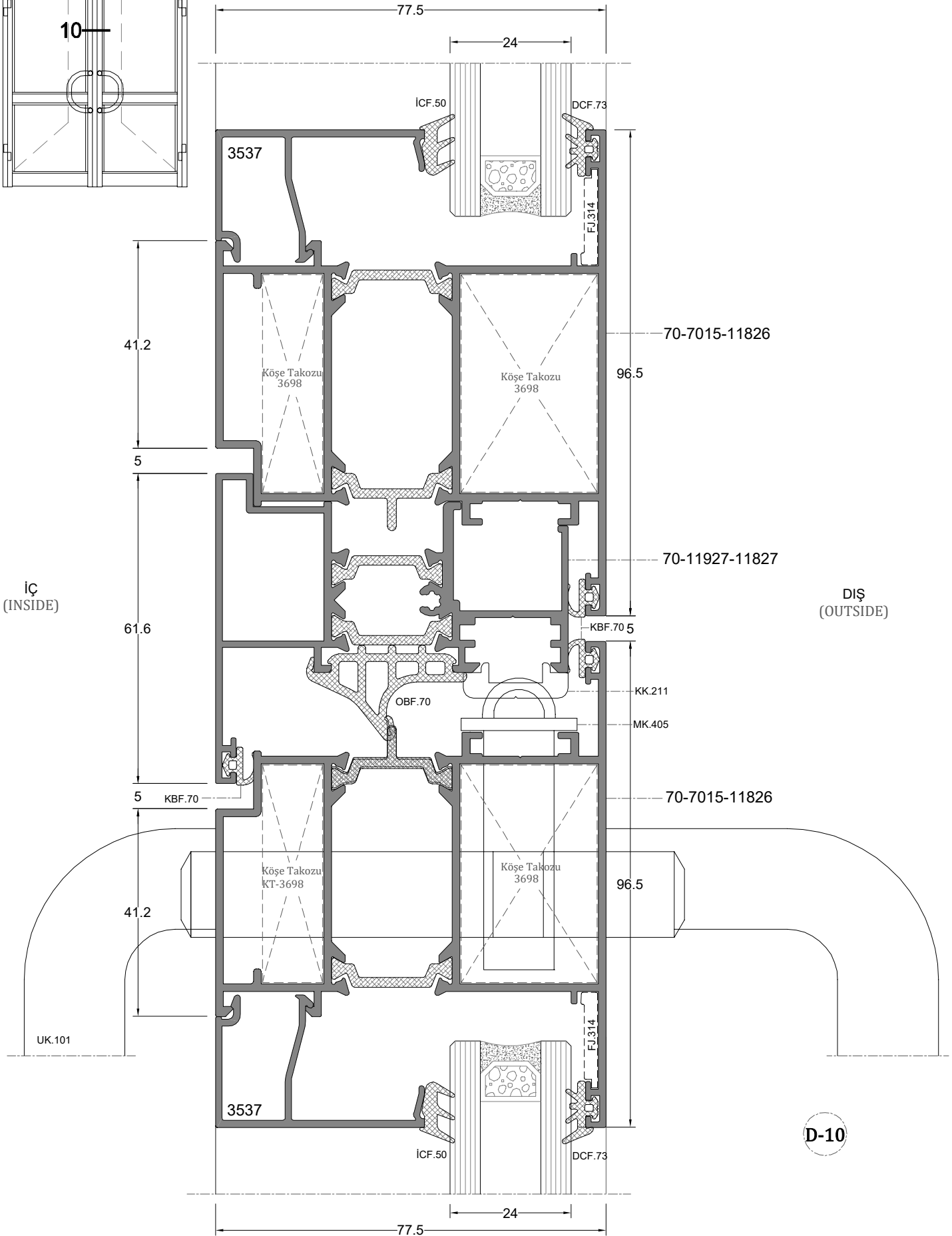
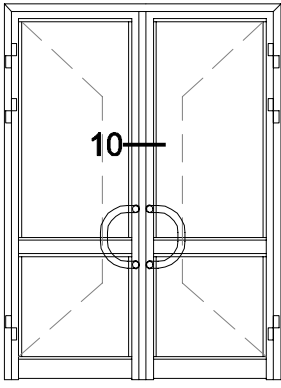
DIŐA AÇILIR BİNİLİ KAPI DETAY
OUTWARD OPENING OVERLAPPING DOOR DETAIL

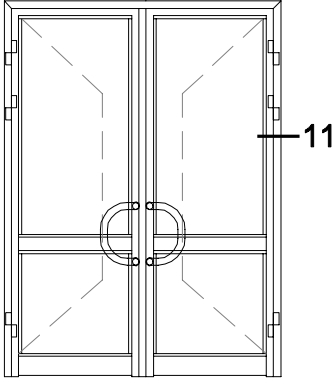
İÇ
(INSIDE)



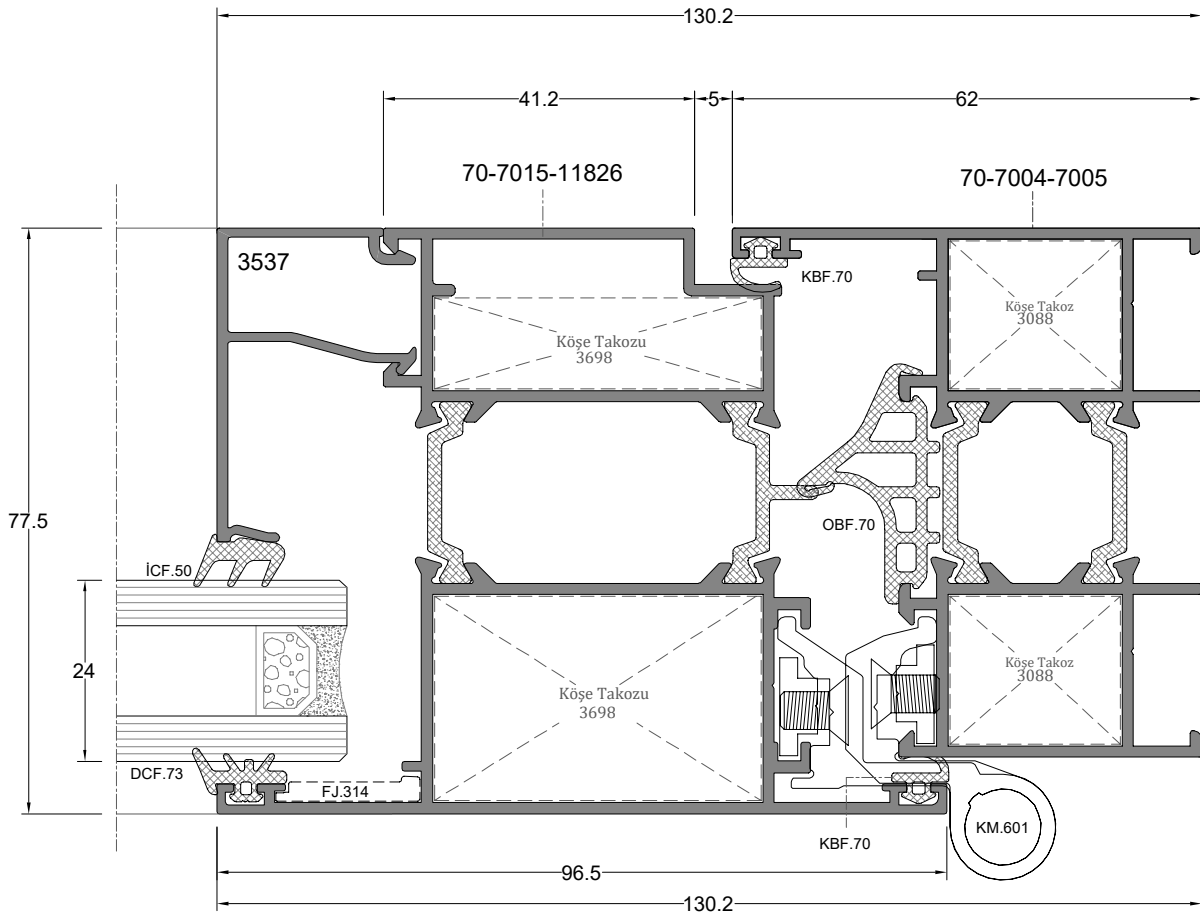
D-9

DIŐ
(OUTSIDE)



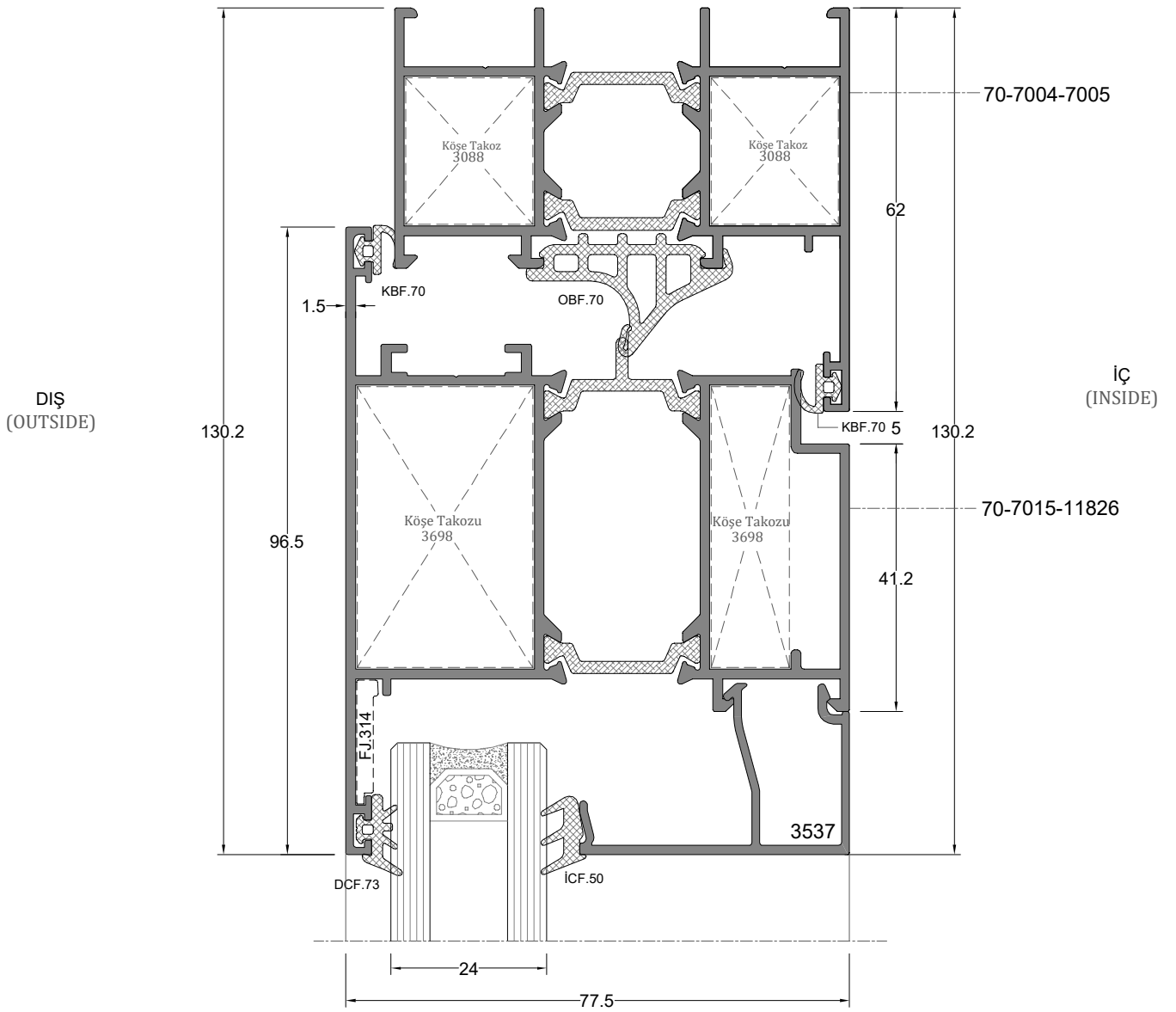
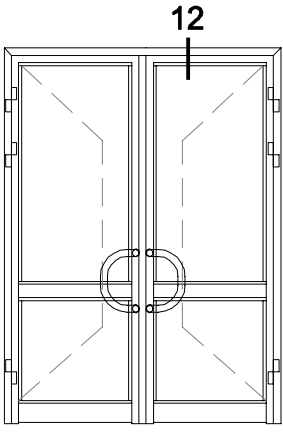


İÇ
(INSIDE)



DIŞ
(OUTSIDE)

D-11



D-12